



ALUMINUM  
**UNIVERSAL RACKS** 

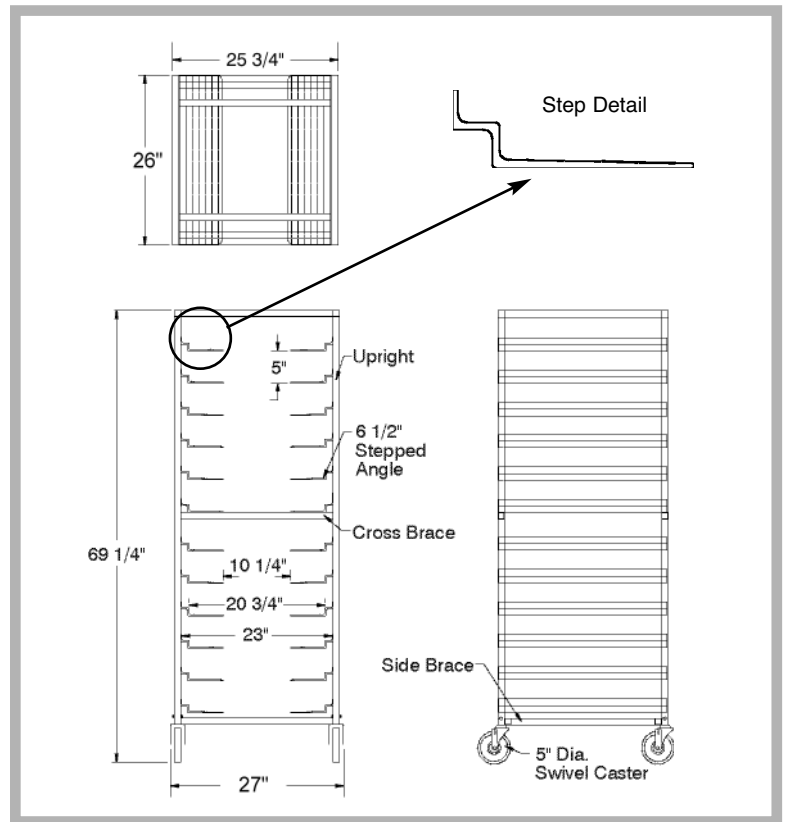


*Item #:* \_\_\_\_\_ *Qty #:* \_\_\_\_\_  
*Model #:* \_\_\_\_\_  
*Project #:* \_\_\_\_\_

**DIMENSIONS  
and SPECIFICATIONS**

TOL ± .500"

ALL DIMENSIONS ARE TYPICAL



**FEATURES:**

- Heavy duty welded construction with 6 cross supports.
- Heavy duty 5" stem bolted swivel casters.
- Stepped angles.

**CONSTRUCTION:**

Fully welded 1 1/4" square tubing ladder assembly.

**MATERIAL:**

6063-T52 extruded aluminum angles, upright tubing, and support pieces.

MODEL #	Pan Capacity	A Shelf Spacing	Overall Size L x W x H	Weight
UR10	10	6"	26" x 26" x 69 1/4"	86 lbs.
UR12	12	5"	26" x 26" x 69 1/4"	100 lbs.



Customer Service Available To Assist You **1-800-645-3166** 8:30 am - 8:00 pm E.S.T.

Email Orders To: [customer@advancetabco.com](mailto:customer@advancetabco.com). For Smart Fabrication™ Quotes, Email To: [smartfab@advancetabco.com](mailto:smartfab@advancetabco.com) or Fax To: 631-586-2933

**NEW YORK**  
 Fax: (631) 242-6900

**GEORGIA**  
 Fax: (770) 775-5625

**TEXAS**  
 Fax: (972) 932-4795

**NEVADA**  
 Fax: (775) 972-1578