

BUNN®

**New Energy Efficient
Improvements**

Ultra™ Frozen Beverage System with 2 Hoppers

ITEM# _____

PROJECT _____

DATE _____




Ultra-2 HP

Dimensions:
31.9"H x 16"W x 24.5"D
(81 cm H x 40.6 cm W x 62.2 cm D)

Features

Ultra Gourmet Ice® System

- Reversing auger design quickens freeze time and reduces air mixing
- Very simple to program and run with touchpad display, which also guides cleaning and preventive maintenance
- Refrigeration system internally monitored to ensure long lasting performance
- Large 3 gallon (11.4 litre) hoppers for optimum cooling and serving capacity
- Full 2-year parts and 1-year labor warranty. 5-year parts and 1-year labor warranty on compressor and 3-year parts and labor warranty on electronics. See the product manual for additional details
- Sanitation listed by NSF to Standard 6 and 18 (including dairy & alcohol) and safety listed by ETL to UL Standard (UL 471) and CSA Standard (C22.2 No. 120)
- White/Stainless, Black,Stainless and all Black finishes available.
- Liquid Auto Fill (LAFI) models available (see back)
- CFV (Constant Flow Valve) models available see spec sheet D1b at bunn.com
- Preventive maintenance kit: 34245.0000 

- New Energy Efficient Improvements

This new configuration consists of LED lighting in the hopper covers, an improved side panel louver pattern, and software enhancements for more efficient control of the compressor operation.

These enhancements equate to an approximate 15% reduction in energy usage vs. previous models

- LED Lighting - 5% reduction in energy usage
- New Louver pattern - 7% reduction in energy usage
- Software enhancements - 3% reduction in energy usage

For current specification sheets and other information, go to www.bunn.com.

Related Products

Liquid Autofill Kits (LAF)

For use with external brix pumps.

Product No.: 37960.0000

(4 water lines)

Product No.: 37960.0001

(2 water lines)

Kit for Ultra-2 Lid Lock

Part Number: 34996.0000 (white)

Kit for Ultra-2 Lid Lock and Handles

Part Number: 34996.0002 (white)

Kit for Ultra-2 Handle Loc

Part Number: 34996.0004 (white & black)

Kit for Ultra-2 Lid Lock Kit

Part Number: 34996.0001 (black)

Kit for Ultra-2 Lid Lock and Handles

Part Number: 34996.0003 (black)



Model

ULTRA-2, HP

Agency Listing



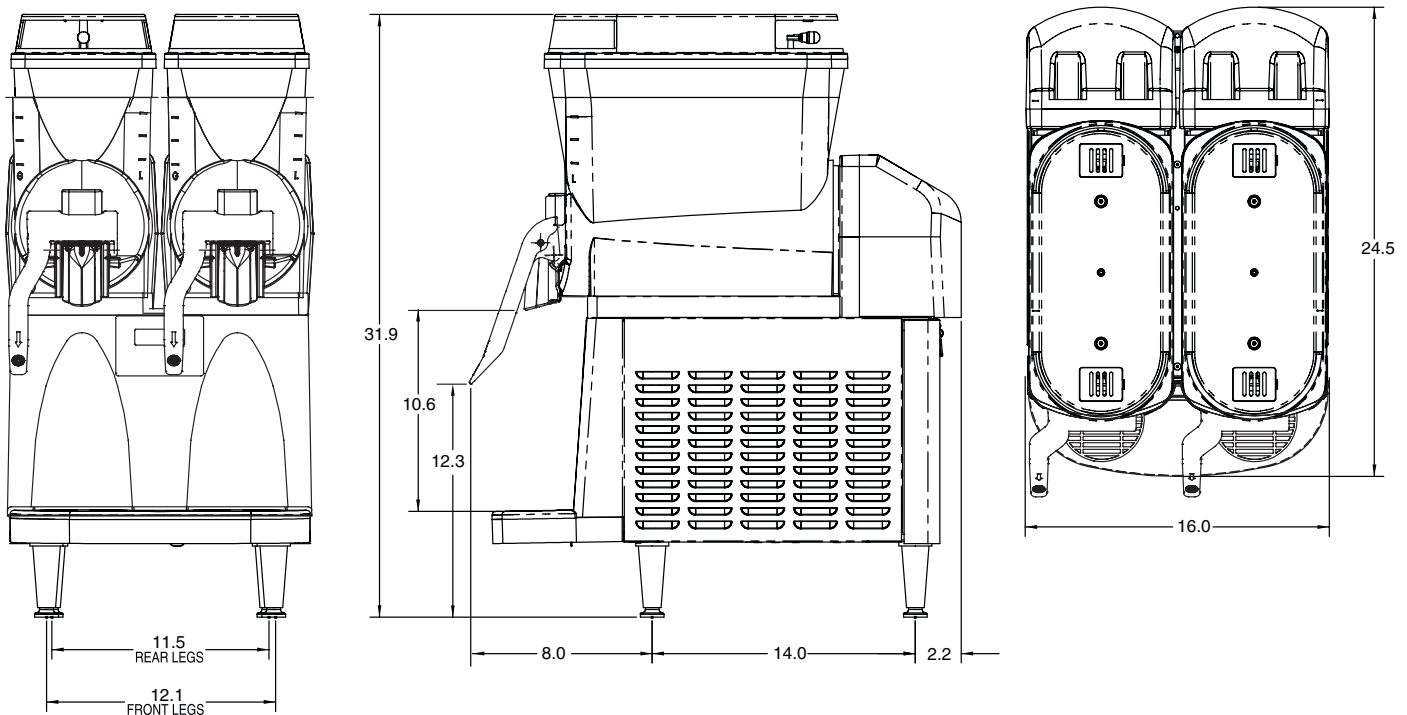
Dimensions & Specifications

Model	Product #	Volts	Amps	Capacity per hopper	Cubic Measure	Shipping Weight	Cord Attached
ULTRA-2, HP (Stainless/White)	34000.0079	120	12	2@3.0 gal	14.9 ft ³	134.36 lbs.	Yes*
ULTRA-2, HP (SST/White) painted frame/Spanish	34000.0063	120	12	2@3.0 gal	14.9 ft ³	134.36 lbs.	Yes*
ULTRA-2, HP (Stainless/Black)	34000.0081	120	12	2@3.0 gal	14.9 ft ³	136.11 lbs.	Yes*
ULTRA-2, HP (All Black)	34000.0080	120	12	2 @3.0 gal	14.9 ft ³	137.81 lbs.	Yes*
Liquid Autofill Models:							
ULTRA-2, HP LAFI (Stainless/White)	34000.0067	120	12	2@3.0 gal	14.9 ft ³	137 lbs.	Yes*
ULTRA-2, HP LAFI (SST/White) pntd frm/Spain	34000.0073	120	12	2@3.0 gal	14.9 ft ³	137 lbs.	Yes*
ULTRA-2, HP LAFI (Stainless/Black)	34000.0099	120	12	2@3.0 gal	14.9 ft ³	137 lbs.	Yes*
ULTRA-2, HP LAFI (All Black)	34000.0515	120	12	2@3.0 gal	14.9 ft ³	137 lbs.	Yes*
Flat Lid Models:							
ULTRA-2, HP (Stainless/White)	34000.0012	120	12	2@3.0 gal	14.9 ft ³	137 lbs.	Yes*
ULTRA-2, HP (All Black)	34000.0013	120	12	2@3.0 gal	14.9 ft ³	137 lbs.	Yes*

29.9"H x 16" W x 24.5" D

*Power cord (NEMA 5-15P) 15 Amp-120V machine only.

Electrical: Models require 2-wires plus ground service rated 120V, single phase, 50/60 Hz.



Bunn-O-Matic® Corporation - 1400 Stevenson Drive Springfield, Illinois 62703 • 800-637-8606 • 217-529-6601 • Fax 217-529-6644 • www.bunn.com

BUNN® practices continuous product research and improvement. We reserve the right to change specifications and product design without notice. Such revisions do not entitle the buyer to corresponding changes, improvements, additions or replacements for previously purchased equipment.

All dimensions shown in inches.

6/13 © Bunn-O-Matic Corporation