



EXECUTIVE SERIES™

Executive Quick Cart is the industry's most durable mobile mini-cart solution for housekeeping, janitorial, and maintenance environments.

Features and Benefits:

- Repels water, oil, and stains with Teflon® fabric protector coating to maintain aesthetics and protect during daily use.
- High-performance material construction provides strength and rigidity to withstand rigorous daily use.
- Heavy-duty strap and large front pocket secures stick goods.
- Aluminum telescoping handle is dependable for heavy daily use.
- Robust ball-bearing wheels are designed for reduced noise and heavy-duty use.

Material Composition:

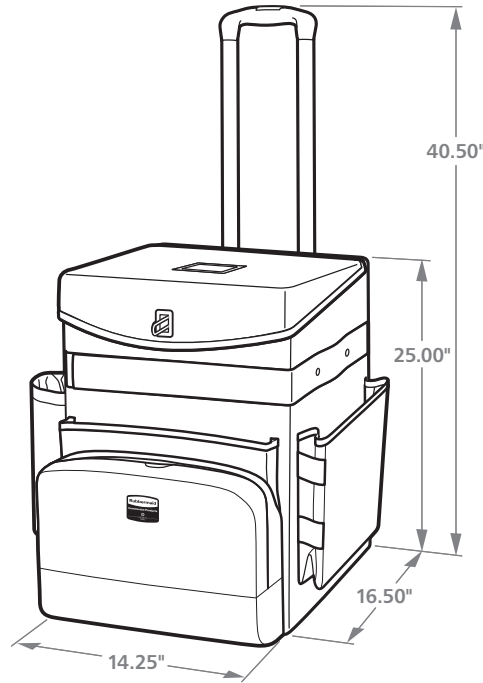
Outer Material: Polyester
 Outer Material Coating: Teflon® Fabric Protector
 Inner Material: Polyester
 Inner Material Coating: Teflon® Fabric Protector
 Support Panels: Polypropylene

Certifications:

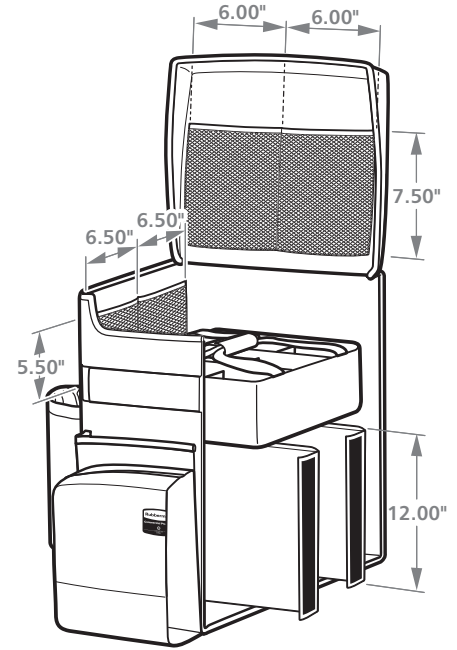
None

QUICK CART

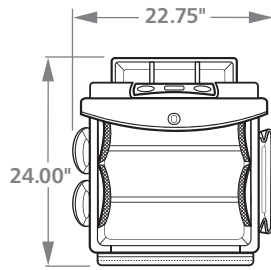
1902465, 1902466, 1902467, 1902459, 1902468



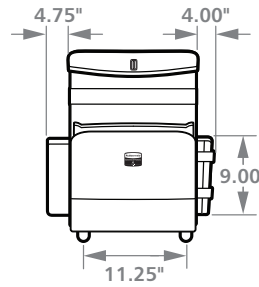
Front and Right Side (3D View)



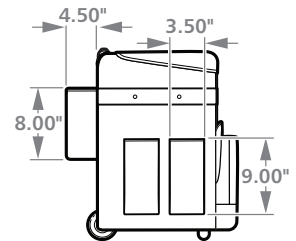
Front and Right Side (3D Cutout View)



Top Down View (Open Lid)



Front View



Left Side View

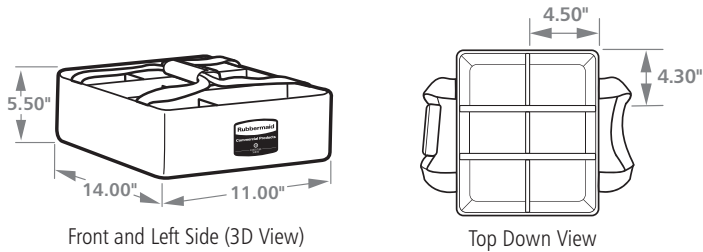
QUICK CART SPECIFICATIONS

Description	Executive Quick Cart – Large – 1902465**	Executive Quick Cart – Medium – 1902466	Executive Quick Cart – Small – 1902467
Color	Dark Gray	Dark Gray	Dark Gray
Product Weight*	17.20 lbs.	15.80 lbs.	14.40 lbs.
Weight Capacity	60.00 lbs.	40.00 lbs.	30.00 lbs.
Total Volume Capacity (Interior)*	3.55 ft ³ (2.67 ft ³)	3.07 ft ³ (2.19 ft ³)	2.80 ft ³ (1.72 ft ³)
Outer Dimensions*	16.50" L x 14.25" W x 25.00" H	16.50" L x 14.25" W x 21.00" H	16.50" L x 14.25" W x 17.00" H
Outer Dimensions Plus Pockets	24.00" L x 22.75" W x 23.50" H	24.00" L x 22.75" W x 19.75" H	24.00" L x 22.75" W x 15.50" H
Interior Dimensions*	16.00" L x 12.50" W x 22.50" H	16.00" L x 12.50" W x 18.50" H	16.00" L x 12.50" W x 14.50" H
Telescoping Handle Heights (Off Ground)	36.50" H, Position 1 40.75" H, Position 2	37.00" H, Position 1 40.75" H, Position 2	37.75" H, Position 1 40.75" H, Position 2
Front - Large Pocket*	4.00" L x 13.50" W x 11.50" H	4.00" L x 13.50" W x 10.00" H	4.00" L x 13.50" W x 9.00" H
Front - Narrow Literature Pocket*	1.00" L x 13.50" W x 11.75" H	1.00" L x 13.50" W x 10.75" H	1.00" L x 13.50" W x 9.25" H
Right - Expandable Pocket (Collapsed)	13.50" L x 4.00" W (1.00" W) x 9.00" H	13.50" L x 4.00" W (1.00" W) x 9.00" H	13.50" L x 4.00" W (1.00" W) x 8.00" H (Rt. & Lf.)
Left - Front Round Pocket*	3.50" L x 4.75" W x 9.00" H	3.50" L x 4.75" W x 9.00" H	N/A
Left - Back Lined Pocket*	4.50" L x 4.75" W x 9.50" H	4.00" L x 4.50" W x 9.50" H	N/A
Back - Full Pocket*	4.50" L x 13.47" W x 8.00" H	4.50" L x 13.47" W x 8.00" H	4.50" L x 13.47" W x 6.00" H
Back - Full Pocket Divided Sections*	3.50" L x 4.00" W x 7.25" H, Left and Right 3.50" L x 6.00" W x 7.25" H, Middle	3.50" L x 4.00" W x 7.25" H, Left and Right 3.50" L x 6.00" W x 7.25" H, Middle	3.50" L x 4.00" W x 5.00" H, Left and Right 3.50" L x 6.00" W x 5.00" H, Middle
Back - Full Pocket Height Off Ground*	11.25" H Bottom (19.00" Top)	7.25" H Bottom (15.00" Top)	7.00" H Bottom (13.00" Top)
Interior - Lid Mesh Pockets (2)*	2.00" L x 6.00" W x 7.50" H	2.00" L x 6.00" W x 7.50" H	2.00" L x 6.00" W x 7.50" H
Interior - Right & Left Mesh Pockets (4)*	6.50" L x 2.00" W x 5.50" H	6.50" L x 2.00" W x 5.50" H	6.50" L x 2.00" W x 5.50" H
Interior - Adjustable Divider (2)	12.00" H x 13.00" W	10.00" H x 13.00" W	8.00" H x 13.00" W
Wheel Spread	11.25" W	11.25" W	11.25" W
Wheel Diameter	3.9"	3.9"	3.9"

*Tolerance may vary due to being sewn product

**Product shown in drawing

QUICK CART SPECIFICATIONS CONTINUED



Description	Executive Quick Cart Caddy Large – 1902468*	Executive Quick Cart Caddy Small – 1902459
Color	Dark Gray	Dark Gray
Product Weight	2.13 lbs.	1.44 lbs.
Weight Capacity	15 lbs.	10 lbs.
Interior Volume Capacity	0.36 ft ³	0.22 ft ³
Outer Dimensions	14.00" L x 11.00" W x 5.50" H	10.50" L x 11.00" W x 5.50" H
Interior - Adjustable Divider Dimensions	13.00" L x 9.00" W x 5.00" H (Up to 6)	9.00" L x 9.00" W x 5.00" H (Up to 4)

*Product shown in drawing

QUICK CART PACKAGING SPECIFICATION GUIDE

Description	Executive Quick Cart – Large – 1902465	Executive Quick Cart – Medium – 1902466	Executive Quick Cart – Small – 1902467
Carton Weight	21.00 lbs.	19.20 lbs.	17.20 lbs.
Carton Cube	9,191 in ³	7,954 in ³	6,452 in ³
Carton Dimensions	22.63" L x 15.63" W x 26.00" H	22.63" L x 15.63" W x 22.50" H	22.63" L x 15.63" W x 18.25" H
Carton Pack Size	1	1	1
Carton Quantity per Pallet	4	4	4

ASSEMBLY INSTRUCTIONS

Assembly instructions are provided with Quick Cart packaging. Instruction manual can also be downloaded by clicking [here](#).

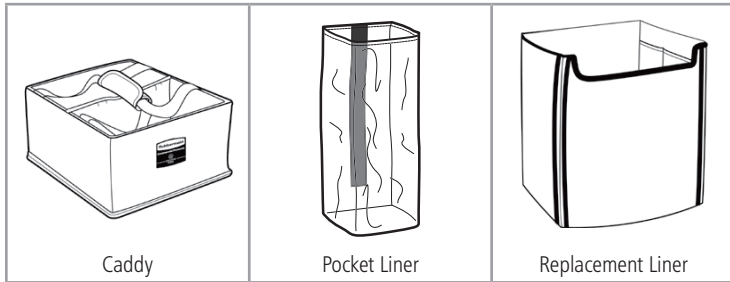
Or visit http://www.rubbermaidcommercial.com/rcp/ObjectServer?table=PDFs&id=1183&name=RCP_QC

CARE INSTRUCTIONS

Cleaning of interior / exterior surfaces and materials

Use mild soap and water with lint-free cloth or sponge to wipe down surfaces.

ACCESSORIES & REPLACEMENTS



CADDIES

No.	Color	Description
1902468*	Dark Gray	Executive Quick Cart Caddy, Large
1902459**	Dark Gray	Executive Quick Cart Caddy, Small

LINERS

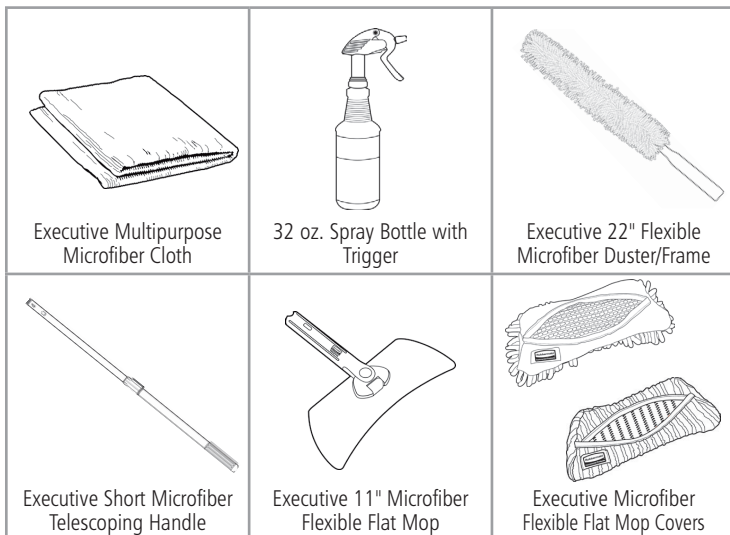
No.	Color	Description
1919270***	Clear	Executive Quick Cart Plastic Pocket Liner
1902701	Black	Executive Quick Cart Replacement Liner, Large
1902702	Black	Executive Quick Cart Replacement Liner, Medium
1902703	Black	Executive Quick Cart Replacement Liner, Small

* Replacement for Medium and Large Executive Quick Carts.

** Replacement for Small Executive Quick Carts.

***Replacement for all Executive Quick Carts.

COMPLEMENTARY PRODUCTS



SURFACE CLEANING

No.	Color	Description
1863888	Gray	Executive 12" Multipurpose Microfiber Cloth
1863889	Gray	Executive 16" Multipurpose Microfiber Cloth
1863890	Brown	Executive 12" Multipurpose Microfiber Cloth
1863891	Brown	Executive 16" Multipurpose Microfiber Cloth
1867398	Gray	Executive 16" Glass Microfiber Cloth
FGQ85200WH00	White	Executive 22" Flexible Microfiber Hi-Pile Duster & Frame
FG9C03060000	N/A	32 oz. Spray Bottle with Trigger

HARD FLOOR CLEANING

No.	Color	Description
1867396	Black	Executive 11" Microfiber Flexible Flat Mop Frame
1863883	Silver	Executive Short Microfiber Telescoping Handle
FGQ86100WH00	White	Executive Microfiber Flexible Dust Cover (Hi-Pile)
FGQ87100BL00	Blue	Executive Microfiber Flexible Mop Cover (Glass)
FGQ88100YL00	Yellow	Executive Microfiber Flexible Mop Cover (Scrub)
FGQ89100BL00	Blue	Executive Microfiber Flexible Mop Cover (Damp)