

B-Style Large Capacity Ice Storage Bins



B-1100



B-1400

Manitowoc B-Style large capacity ice storage bins are equipped with an ice gate for increased employee safety, easier ice removal, and reduced spillage.

Choose a 30" wide B-750 ice storage bin with 748 lbs. of ice storage capacity, 48" wide B-1100 with 1,114 lbs. of ice storage capacity, or the 60" wide model B-1400 with 1,416 lbs. of ice storage capacity. (B-1100; specify for use with 1–30" wide or 1–48" wide ice machine and B-1400 specify for use with 1–30" wide, 2–30" wide or 1–48" wide ice machine at time of purchase.)

Ice Gate

- Controls ice flow into snout for easy removal with either scoop or shovel
- Returns easily to full down position

Durable Polyethylene Lift Door

- Bin door can be held open with a safety latch
- Eliminates sharp corners and gaskets
- Provides outstanding durability
- Offers maximum access for fast, easy ice removal

Quality Construction

- Heavy-duty welded construction
- Non-CFC foamed-in-place insulation
- Sliding doors provide instant inspection of bin



Warranty

Limited lifetime warranty on bin liner, base, and poly snout. 3-year parts-and-labor warranty on remainder of bin.



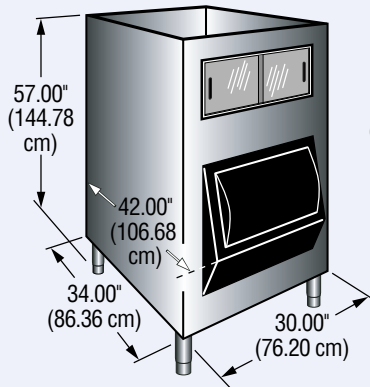
ISO 9001:2000
Quality System Certified

America's #1 Selling Ice Machine

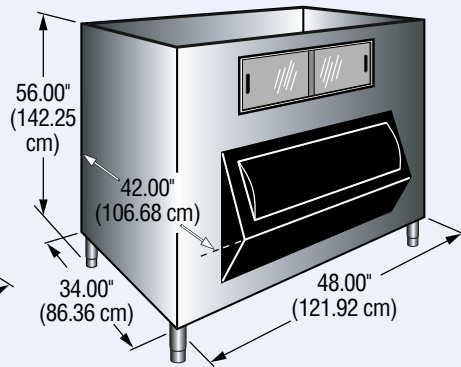
Ice Cube & Flake Machines • Ice Storage Bins • Ice Dispensers

Manitowoc

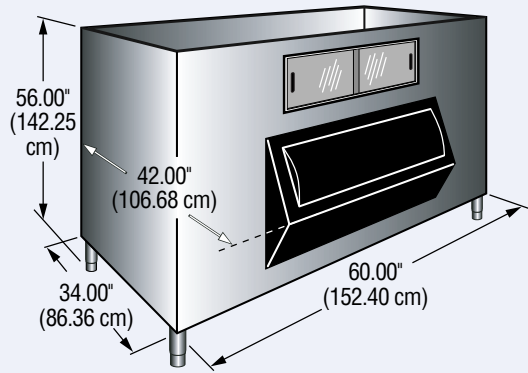
Manitowoc B-Style Large Capacity Ice Storage Bins



B-750 for use with 30" ice machine



B-1100 for use with 30" or 48" ice machine



B-1400 for use with (1-) 30", (2-) 30", or (1-) 48" ice machine

Model	Storage Capacity*	
	Nominal Lbs.	Cu. Ft.
B-750	748	23.7
B-1100-30	1,114	35.4
B-1100-48	1,114	35.4
B-1400-30	1,416	44.9
B-1400-48	1,416	44.9
B-1400-30-2	1,416	44.9

*Storage capacity is based on 90% of total volume x 35 lbs/cu.ft average density of ice.

One set of stainless steel legs included.

Height includes bin legs set at 6" (15.24 cm).

Legs adjust from 6" (15.24 cm) to 7.5" (19.05 cm).

©2009 Manitowoc 3109 Continuing product improvement may necessitate change of specifications without notice. 3368A



We are committed to protecting the environment and its resources. For up-to-date product data always view an electronic version on our web site.



MANITOWOC ICE
2110 South 26th Street, P.O. Box 1720
Manitowoc, WI 54221-1720, USA
Ph: 920-682-0161 • Fax: 920-683-7589
Visit us online at www.manitowocice.com

