


GEM-12D

Step up to a Digital Gemini.

Wilbur Curtis Gemini Coffee Brewing Systems. They established the benchmark by which others are measured. Now Gemini is available with Curtis' exclusive ADS — Advanced Digital System technology.

Gemini with ADS lets you turn up the power of high-speed brewing with greater ease, reliability and even more consistent quality. Engineered with innovative solid-state digital technology, the GEM-12D has more features, more speed and greater brewing accuracy than ever before.

How does digital differ?

Advanced controls and digital components eliminate old-style switches, thermostats, relays, wiring and much more. This results in a truly simpler brewing operation. With GEMINI digital you can use the system with all brewing functions factory pre-set for you, and later make precise adjustments to suit your specific coffee serving requirements.



Features!

- **Dual Brewing Heads** – Simultaneously brew up to 72 cups (36 per head)... as many as 400 cups per hour!
- **ADS Technology** – Controls are centralized on the front TouchKey Panel for easy programming and operation. Digital components means fewer, longer lasting parts for unsurpassed reliability, reduced parts inventory (branch and truck level), and easier service.
- **TouchKey Control Panel** – Easy to clean membrane lasts up to 10 times longer than traditional mechanical switches.
- **Programmable Brew Volume** – Factory set to 36 cups (11/2 gal.). Can be adjusted to your exact coffee needs.
- **Programmable Brew Temperature** – Factory set at 200°F. Easily adjusted in 2°F increments from 170° to 204°F for optimum coffee quality.
- **Digital Brew Counter** – Senses and tracks each brew cycle. Ideal for account qualification, preventative maintenance programs, profitability reports and more.
- **Self Diagnostic** – Expedites service.
- **Brew Cycle Water Bypass** – Prevents over extraction of grounds for better tasting coffee.
- **Soft-Pulse Heating System** – Offers Low, Medium and High heat. Software control maintains coffee temperature gently. Works with ANY standard satellite. **THERE S NO EXPENSIVE OPTIONS or HARDWARE TO BUY.**
- **Energy-Saving Sleep Mode** – When inactive for 2 hours system reduces tank temperature to conserve energy. Recovers by pressing a button.
- **Digital Temperature Control** – Keeps brew temperature constant with digital accuracy to easily handle THREE back-to-back brewing cycles. Plus, a liquid level control interface prevents element burnout.
- **Deep Bed Brew Baskets/Full-Coverage Spray.**
- **Hot Water Spout**
- **Foolproof Set-Up** — Eliminates element burnout during set-up! Once the water and electrical lines are connected simply turn the unit on. ADS System senses the dry probe and begins filling the tank. Only when the tank has reached the correct level will the elements energize. In minutes you're ready to brew!



GEM-3—
Insulated
Satellite Server



GEM-5 — Heated
Satellite Stand (Tall)



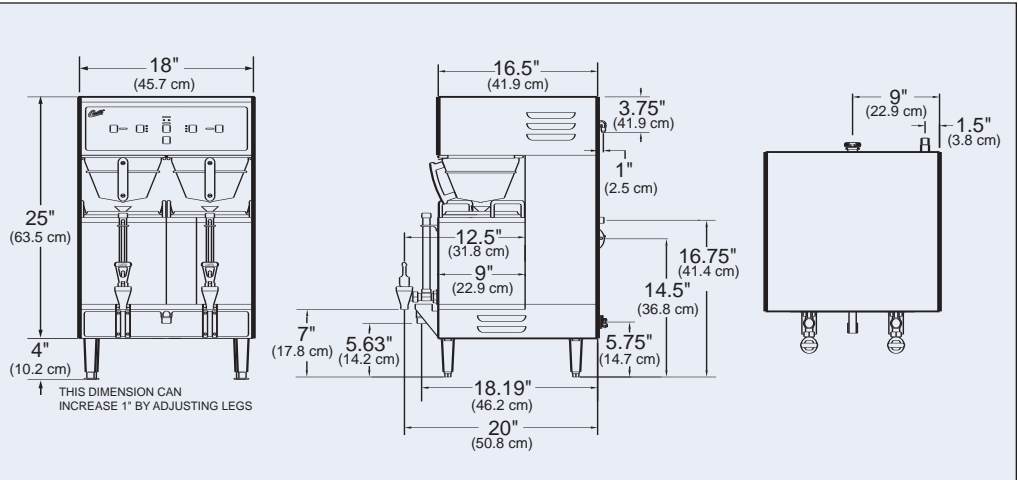
GEM-8 — Heated
Satellite Stand (Std.)

Remote Service/Optional Accessories

Additional Satellite Servers and optional warming stands allow you to easily expand coffee service while maintaining temperature and great tasting flavor.

- **GEM-3 Insulated Satellite Server**— locking lids guard against accidental spills.
- **GEM-5 Heated Stand** — raises Satellite to 9". Ideal height for filling decanters.
- **GEM-8 Heated Stand** — raises Satellite to 5.375". Ideal height for cup service.

GEM-12D



SPECIFICATIONS	GEM-12D*
Brewing Heads	2
Finished Brew Capacity	36 Cups/Head (72 Total)
Dimensions (H x W x D)	29" x 18" x 16.5"
Electrical**	220VAC/1 Phase/3 Wire Plus Ground
Power Requirements	6300W/29A
Water Inlet	.375" Compression
Shipping Weight (lbs.)	90 lbs.
Cube (cu. ft.)	8.6 cu. ft.

*Includes TWO Gem-3 Satellite Servers. **Optional 208/240; 3 phase. Specify 3 Wire Plus Ground or 4 Wire Plus Ground.

Optional Accessories	GEM-3 Satellite	GEM-5 Stand	GEM-8 Stand
Capacity	1.5 Gallon (36 cups)	N/A	N/A
Dimensions (H x W x D)	9" x 9" x 11"	9" x 9" x 9"	5.375" x 9" x 9"
Voltage	N/A	110VAC/60Hz	110VAC/60Hz
Power Requirements	N/A	100W/1A	100W/1A
Shipping Weight (lbs.)	12 lbs.	7 lbs.	6 lbs.

Factory Settings GEM-12D
Brew Temperature: 200°F
Water Bypass: ON
Brew Volume: 36 Cups (192 oz.)



WILBUR CURTIS COMPANY, INC.

6913 Acco Street, Montebello, CA 90640-5403
 Telephone: 800-421-6150 · 323-837-2300
 Fax: 323-837-2406
 www.wilburcurtis.com

