



# Teppan Yaki Electric Griddle

Item: \_\_\_\_\_  
 Quantity: \_\_\_\_\_  
 Project: \_\_\_\_\_  
 Approval: \_\_\_\_\_  
 Date: \_\_\_\_\_

# Teppan Yaki Electric Griddle

### Models:

- E22-36-36GMX     E22-36-48GMX     E22-36-60GMX  
 E22-36-45GMX     E22-36-56GMX     E22-36-72GMX



*E22-36-48GMX Top View  
Shown with optional flange edge*



### Standard Features:

- Stainless steel front and sides
- 11" (279mm) x 34" (834mm) heated cooking zone
- 3/4" (19mm) thick griddle plate.
- Six sizes available
- 208 or 240 Volts single or 3 phase, specify which is required
- Electronic thermostat up to 500°F (260°C)
- 4" (102mm) stainless steel sanitary legs

### Optional Features:

- Stainless steel main back  
 1" (25mm) flange edge for easier drop in installation.

### Specification:

Garland's E22-36X Series Teppan Yaki Electric Griddles come in 6 models. All units have 11" (279mm) x 34" (864mm) heated cooking zone, stainless steel front panels and sides. 208 or 240 Volts single or three phase, electronic thermostat. Standard with a flat straight griddle plate edge or optional 1" (25mm) flange.



*E22-36-48GMX Front View  
Shown with optional flange edge*

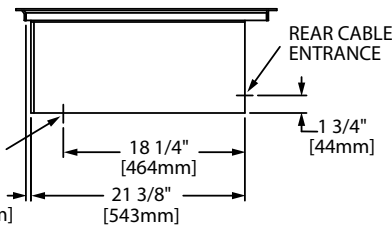
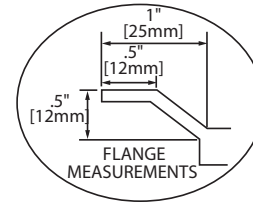
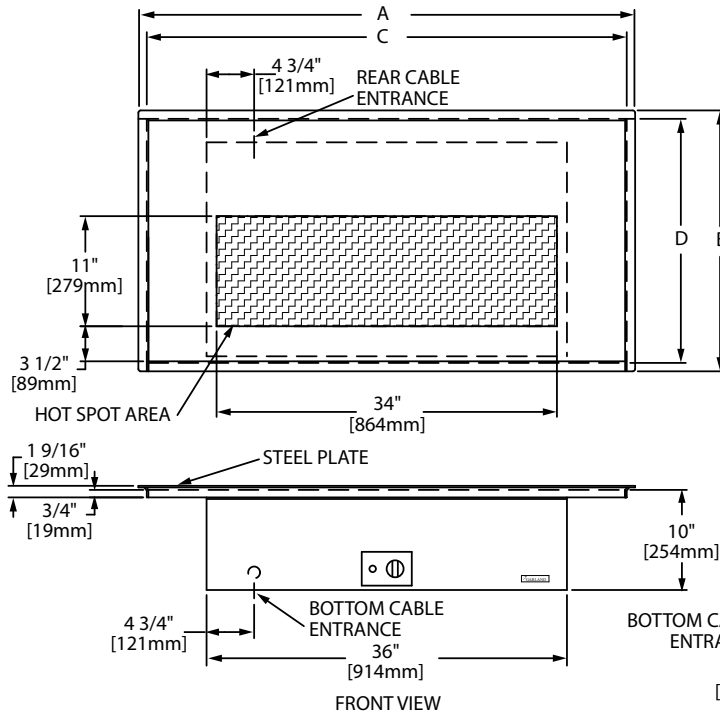
Total kW Loading		kW Loading Per Phase						Nominal Amps Per Phase							
								Single Phase		Three Phase					
240V	208V	240V			208V			240V	208V	240V			208V		
		X-Y	Y-Z	X-Z	X-Y	Y-Z	X-Z			X	Y	Z	X	Y	Z
6.7	6.7	3.35	---	3.35	3.35	---	3.35	27.92	32.21	24.22	13.96	13.96	27.95	16.11	16.11



Model	Griddle Size With Flange		Griddle Size Less Flange		Shipping Wt lb/kg
	Width (A)	Depth (B)	Width (C)	Depth (D)	
E22-36-36GMX	37-5/8" (957mm)	26-9/16" (675mm)	35-13/16" (910mm)	24-1/4" (616mm)	330/150
E22-36-45GMX	46-15/16" (1192mm)	28-1/4" (718mm)	45-1/8" (1146mm)	26-15/16" (685mm)	340/154
E22-36-48GMX	49-5/8" (1260mm)	26-9/16" (675mm)	47-13/16" (1215mm)	24-1/4" (616mm)	350/159
E22-36-56GMX	58-3/16" (1478mm)	28-1/4" (718mm)	56-3/8" (1432mm)	26-15/16" (685mm)	385/175
E22-36-60GMX	61-5/8" (1565mm)	26-9/16" (675mm)	59-13/16" (1520mm)	24-1/4" (616mm)	385/175
E22-36-72GMX	73-5/8" (1870mm)	26-9/16" (675mm)	71-13/16" (1824mm)	24-1/4" (616mm)	400/182

Body Side Minimum Installation Clearances: In(mm)		
Left & Right Sides	Rear	Type of Floor Base
1/2" (12.5)	1/2" (12.5)	0" (0) from Combustible

The E22-36-36GMX is for installation in non-combustible locations only. All others should be installed with the above minimum clearances from combustible material.



SUGGESTED MOUNTINGS (Not to Scale)		
<p>METAL EXPANSION STRIP BY OTHERS GRILL BY GARLAND 1" [25mm] 3" [76mm]</p> <p>MARBLE / SIMILAR NON-COMBUSTIBLE MATERIAL MUST BE 3" [76mm] SIDES &amp; BACK TABLE TOP MOUNTING WITH NON-FLANGE EDGE 36" WIDE MODEL (E22-36-36GMX)</p>	<p>METAL EXPANSION STRIP BY OTHERS GRILL BY GARLAND 1" [25mm] WOODEN TABLE BY OTHERS</p> <p>TABLE TOP MOUNTING NON-FLANGED EDGE 45" TO 72" MODELS MINIMUM CLEARANCE TO COMBUSTIBLE CONSTRUCTION 1" [25mm] SIDES AND BACK</p>	<p>EXPANSION STRIP SUPPLIED BY OTHERS NON-COMBUSTIBLE i.e. MARBLE OR SIMILAR GRILL WITH FLANGE TABLE TOP WOOD ect. TABLE TOP MOUNTING WITH FLANGED EDGE OPTION</p>

Garland products are not approved or Authorized for home or residential use, but are intended for commercial applications only. Garland will not provide service, warranty, maintenance or support of any kind other than in commercial applications.

Form# E22-36GMX Series (05/31/13)