



Master Series Infra-Red Salamander Broiler

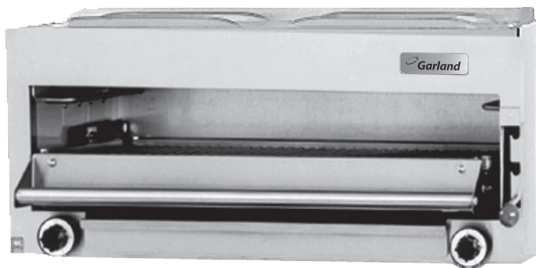
Item: _____
 Quantity: _____
 Project: _____
 Approval: _____
 Date: _____

Master Series Infra-Red Salamander Broiler

Models:

- MIR-34L MIR-34C

Infra-Red Broilers With 3 Position, Spring Balanced Rack



Standard Features:

- Range Mount Model MIR-34L – stainless steel front, sides, top, backsplash and bottom w/ heat shield
- Counter Mount Model MIR-34C – stainless steel front and sides – C/W 4" (102mm) legs
- 1/2" NPT top gas inlet
- Two 20,000 BTU (5.86 kW) atmospheric infra-red burners.
- Two individual Hi-Lo valve controls
- Three-position spring-balanced rack assembly raising/lowering mechanism
- Large capacity removable grease pan
- Gas regulator

Optional Features:

- Stainless steel main bottom. – MIR-34C
Stainless steel bottom for counter models placed on counters not required if ordering wall mounting bracket option.
- Brackets for wall mounting , and stainless steel bottom w/heat shield
- Interconnecting gas piping for range-mount

Specification:

Gas infra-red salamander broiler, range mount Model MIR-34L and counter mount Model MIR-34C. Two (2) 20,000 BTU (5.86 kW) atmospheric infra-red burners. Three-position adjustable rack. Stainless steel front, sides, backsplash (range mount) and bottom w/heat shield. 40,000 BTU (11.72 kW) total. Natural or propane gas.



INSTALLATION NOTES		
Combustible Wall Clearances ¹	Entry Clearances	Manifold Operating Pressure
Sides: 6" (152mm) Back: 6" (152mm)	Crated: 39 3/4" (997mm) Uncrated: 34-3/4" (870)	Natural: 6" WC (15mbar) Propane: 10" WC (25mbar)

¹NOTE: Installation clearance reductions are applicable only where local codes permit.

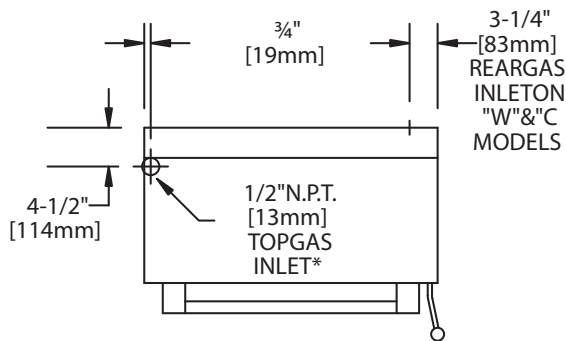
Data applies only to North America

Commercial cooking equipment requires an adequate ventilation system. For additional information, refer to the National Fire Protection Association's standard NFPA96. (for North American only)

Gas input ratings shown here are for installations up to 2,000 ft. (610m) above sea level.

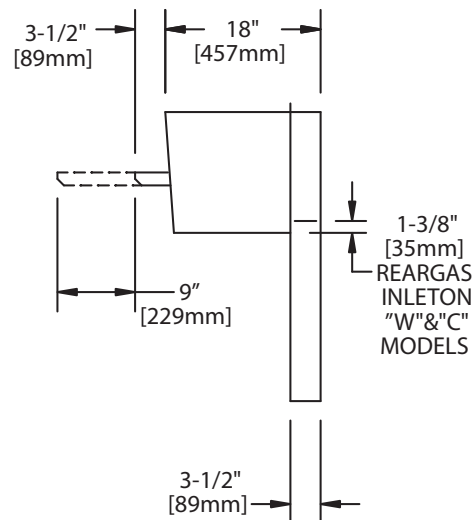
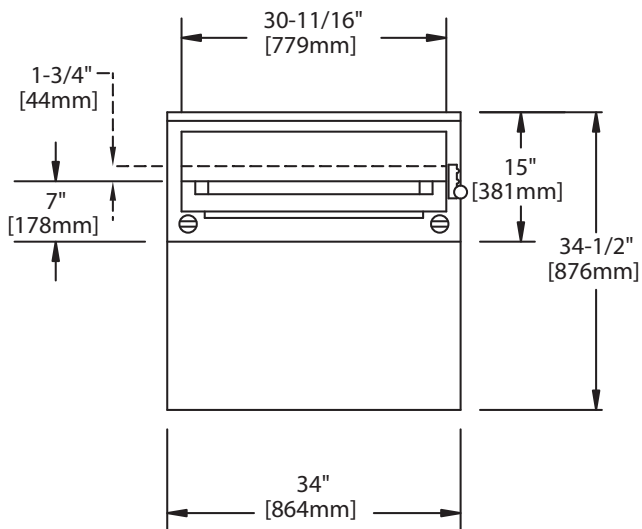
Specify altitudes over 2,000 ft.

Please specify gas type when ordering.



PRODUCT	MIR-34L
Width: In(mm)	34(864)
Depth: In(mm)	18(457)
Height: In(mm)	34-1/2(876)
INPUT:BTU/hr(kW)(Natural Gas)	40,000(11.7)
Shipping Wt:(Lb/Kg)	200/99
Cu Ft	22

*Note: TOP GAS INLET pipe extension adds 4" (258mm) to overall height.



Form# MIR34L (06/20/13)