



Master Series Front-Fired Hot Top Range Attachment

Item: _____
 Quantity: _____
 Project: _____
 Approval: _____
 Date: _____

Master Series Front-Fired Hot Top Range Attachment

Models:

- M5S M5T

17" Front-Fired Hot Top Range Attachment

PHOTO NOT AVAILABLE

Standard Features:

- Stainless steel front and sides
- Stainless steel door on storage base
- 6" (152mm) chrome steel adj. legs
- 7-1/2" (191mm) stainless steel front rail
- Extra heavy cast iron top sections
- Removable cast iron ring; and lid
- Stainless steel burner box bottom
- Storage base interior of aluminized steel
- Heavy gauge aluminized steel radiation baffle system
- Three individually controlled jet burners 45,000 BTU (13.18Kw) total

Optional Features:

- Stainless steel main back
- Stainless steel common front rail up to 102" (2591mm) wide (two or more units in a battery)
- End cap and cover (NC, Specify)
- Gas shut off valve; 3/4", 1" or 1-1/4" NPT

- Gas regulator 3/4" or 1-1/4"
- Gas flex hose & quick disconnect (3/4", 1" or 1-1/4" NPT x 5') w/ restraining device, please specify
- Rear gas connection 3/4", 1" or 1-1/4", external left or right side mount, stainless steel 5-1/4" (133mm) x 4-1/4" (108mm) enclosure gas line, adds 5-1/4" (133mm) to width
- Set of (4) Polyurethane non-marking swivel casters (4) w/ front brakes
- 6" (152mm) stainless steel adjustable legs
- Modular stand, (T model)
- Dais base, (S model w/o legs)
- Storage base shelf of aluminized or stainless steel
- Stainless steel tubular high shelf, single or double deck
- Stainless steel backguard: 10" (354mm), 17" (432mm) or 33" (838mm) H

Specifications:

Heavy-duty gas range attachment with storage base, Model M5S. One front-fired spectro-heat hot top. 17" (432mm) wide x 38" (965mm) deep, including 7-1/2" (191mm) deep stainless steel front rail. Stainless steel front and sides. 45,000 BTU (13.18 kW) total. Natural or propane gas available. Also available with modular top, suffix T.



NOTE: Attachments supplied with casters must be installed with an approved restraining device.



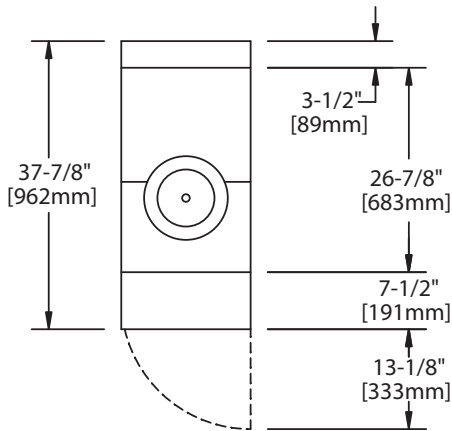
Product	Width: In(mm)	Depth: In(mm)	Height: In(mm) (w/ NSF Legs)	Height: In(mm) (w/o NSF Legs)	Storage Base Interior: in(mm)		
					Width	Depth	Height
M5S	17(432)	38(965)	36-3/8(924)	30-3/8(772)	14(356)	32-1/2(826)	20-1/2(519)
M5T	17(432)	38(965)	36-3/8(924) w/stand	9-1/2 (241) w/o stand*	N/A	N/A	N/A

*Modular top has 1-1/2" seating flanges.

INPUT-BTU/hr	M5S Natural	M5S Propane	M5T Natural	M5T Propane
Top Sections	45,000 (13.18kW)	33,000 (9.66kW)	45,000 (13.18kW)	33,000 (9.66kW)

S=Range w/Storage Base T=Modular Top

INSTALLATION NOTES			Shipping Wt: (Lb/Kg) – CuFt
Combustible Wall Clearances ¹	Entry Clearances	Operating Pressure	
Sides: 14" (356mm) Back: 6" (152mm)	Crated: 22 1/4" (565mm) Uncrated: 17-1/4" (438mm)	Natural: 6" WC (15mbar) Propane: 10" WC (25mbar)	M5S 230/1051 – 26 M5T 1138/63 – 9



¹NOTE: Installation clearance reductions are applicable only where local codes permit.

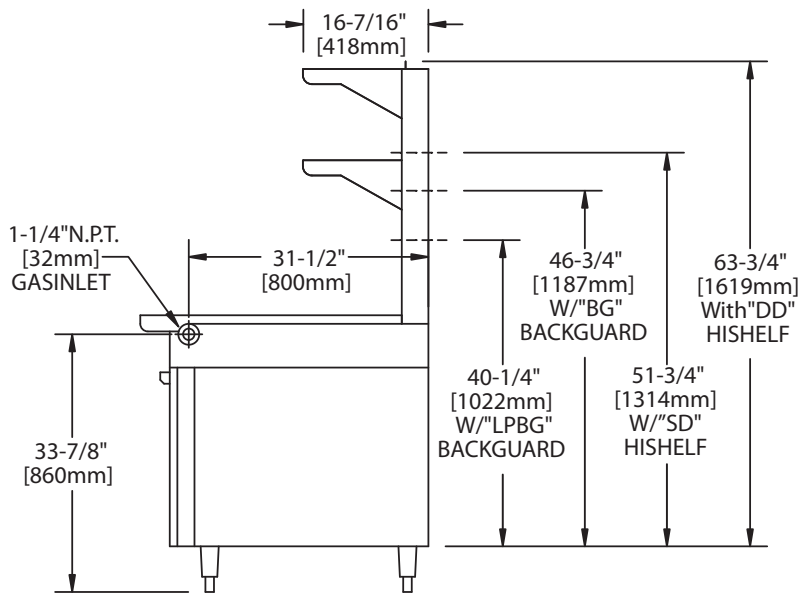
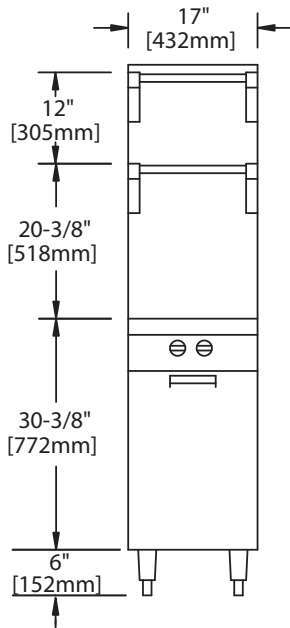
Data applies only to North America

Gas input ratings shown here are for installations up to 2,000 ft. (610m) above sea level. Specify altitudes over 2,000 ft.

Please specify gas type when ordering.

Garland/U.S. Range products are not approved or authorized for home or residential use, but are intended for commercial applications only.

Garland / U.S. Range will not provide service, warranty, maintenance or support of any kind other than in commercial applications



Form# M5 (04/09/13)