



# Master Series Heavy Duty Combination Top Range

Item: \_\_\_\_\_  
 Quantity: \_\_\_\_\_  
 Project: \_\_\_\_\_  
 Approval: \_\_\_\_\_  
 Date: \_\_\_\_\_

Master Series Heavy Duty Combination Top Range

### Models:

- M54R       M54S       M54T

### Range with Front-Fired Hot Top and Two Open Burners



Model M54R

### Standard Features:

- Stainless steel front and sides
- 6" (152mm) chrome steel adj. legs
- 7-1/2" (191mm) stainless steel front rail
- One heavy duty cast iron front-fired top on left
- Removable cast iron ring and lid with three burners; 45,000 BTU (13.18kw) natural or 33,000 BTU (9.66kW) propane gas total
- Two 35,000 BTU (10.25kw), natural or 32,000 BTU (9.37kW) 2- piece Starfire burners with removable heads
- Removable ring grate bowl over each burner
- Cast iron top grates
- One piece stainless steel drip tray
- Piezo spark ignition for oven.
- 40,000 BTU (11.72kW) natural gas, 35,000 BTU (10.25kW) propane gas cast iron oven burner
- Fully porcelainized oven interior

### Optional Features:

- Stainless steel back
- Stainless steel common front rail up to 102" (2591mm) wide (two or more units in a battery)
- Stainless steel oven interior

- Convection oven base, add C to model #, e.g. M54RC
- Additional oven rack
- Hot top section on right - specify
- Rear gas connection 3/4", 1" or 1-1/4" NPT, left or right mount add 5-1/4" (133mm) to exterior range width
- Gas regulator 3/4" or 1-1/4"
- Gas shut off valve; 3/4", 1" or 1-1/4" NPT
- Gas flex hose & quick disconnect (3/4", 1" or 1-1/4" NPT x 5") w/restraining device, please specify
- End caps and cover (NC, specify)
- Set of (4) Polyurethane non-marking swivel casters (4) w/ front brakes
- 6" (152mm) stainless steel adj. legs
- Dais base (not for use with "RC" oven)
- Storage base shelf of aluminized or stainless steel.
- Stainless steel tubular high shelf, single or double deck
- Stainless steel backguard: 10" (354mm), 17" (432mm) or 33" (838mm)
- 230 volt, 50 cycle components, RC motor (export)
- Celsius dial for oven thermostat (NC)

### Specifications:

Heavy duty gas range with oven, Model M54R, combination top consisting of one 17" (432mm) wide front fired spectro-heat hot top, 45,000 BTU (13.2kW) on left and two 35,000 BTU (10.25kw) StarFire open burners. Heavy duty cast iron top grates/ring grates. 34" (864mm) wide x 38" (965mm) deep, including 7-1/2" (191mm) deep stainless steel front rail. Porcelain enamel oven with 40,000 BTU,(11.72kw), cast iron oven burner. Stainless steel front and sides. Natural or Propane gas. Also available with storage base w/ doors, suffix S, and modular top, suffix T.



NOTE: Ranges supplied with casters must be installed with an approved restraining device.



Product	Width: In(mm)	Depth: In(mm)	Height: In(mm) (w/ NSF Legs)	Height: In(mm) (w/o NSF Legs)	Oven/Storage Base Interior: in(mm)		
					Width	Depth	Height
M54R	34(864)	38(965)	36-3/8(924)	30-3/8(772)	26-1/4(667)	29(737)**	13-1/2(343)
M54S	34(864)	38(965)	36-3/8(924)	36-3/8(924)	26(665)	30-1/2(773)	20-1/2(519)
M54T	34(864)	38(965)	36-3/8(924 w/stand)	9-1/2(241) w/o stand*	N/A	N/A	N/A

\*Modular top has 1-1/2" seating flanges. \*\*RC oven is 25" (635mm) deep.

INPUT-BTU/hr	M54R & M54 RC		M54S & M54T	
	Natural	Propane	Natural	Propane
Hot top Total	45,000 (13.18kW)	33,000 (9.66 kW)	45,000 (13.18kW)	33,000 (9.66 kW)
Open Burners-Total	70,000 (20.05kW)	64,000 (18.84 kW)	70,000 (20.05kW)	64,000 (18.84 kW)
Oven	40,000 (11.72kW)	35,000 (10.25 kW)	N/A	N/A
TOTAL	155,000 (45.40kW)	132,000 (38.75 kW)	115,000 (33.68kW)	97,000 (28.50 kW)

RC=Range w/Convection Oven R=Range w/Oven S=Range w/Storage Base T=Modular Top

INSTALLATION NOTES			Shipping Wt: (Lb/Kg)	
Combustible Wall Clearances <sup>1</sup>	Entry Clearances	Operating Pressure	M54R	475/216
Sides: 14" (356mm) Back: 6" (152mm)	Crated: 39-1/4" (997mm) Uncrated: 34-1/4" (870mm)	Natural: 6" WC (15mbar) Propane: 10" WC (25mbar)	M54S	375/170
			M54T	285/130

<sup>1</sup>NOTE: Installation clearance reductions are applicable only where local codes permit.

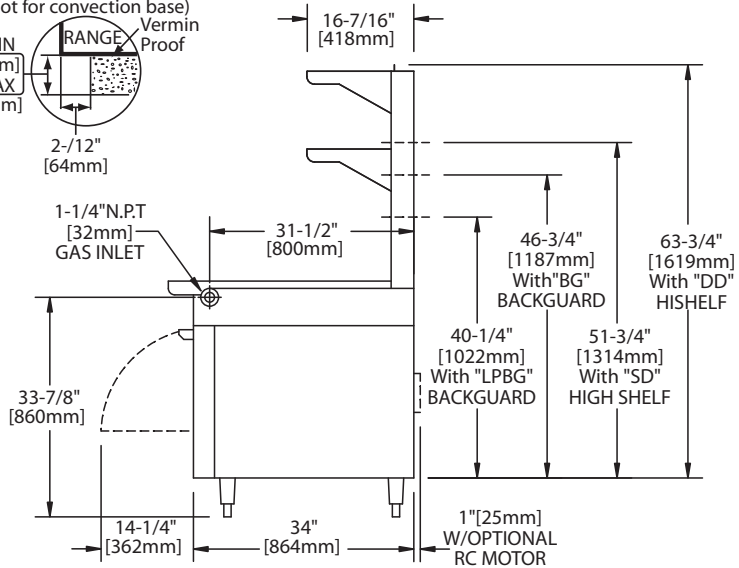
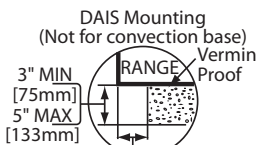
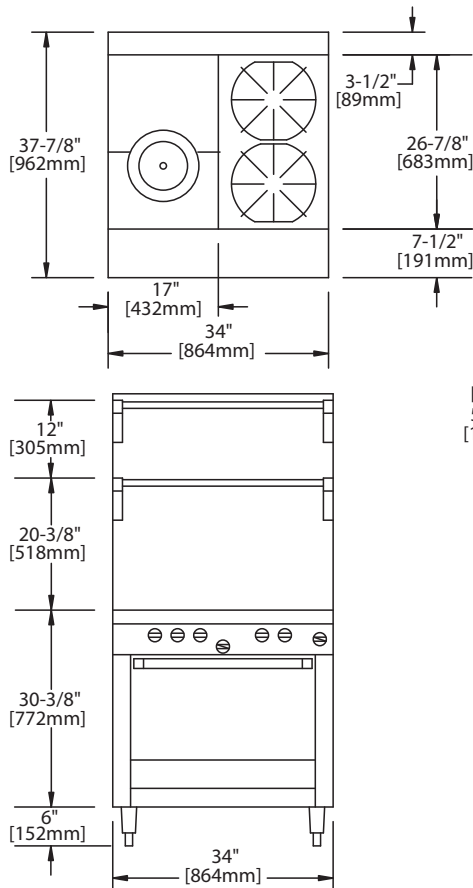
<sup>2</sup>Shipping Cubic Feet 50 for R & S Models, 20 for T models

Data applies only to North America

Gas input ratings shown here are for installations up to 2,000 ft. (610m) above sea level. Specify altitudes over 2,000 ft.

Electrical characteristics each RC oven: 1/3 HP motor, 120 VAC, single phase, 3.4 amps, 6 ft. (1.8m) power cord with NEMA 5-15P plug provided. 230 VAC export is direct connect, single phase, 50 Hz.

Please specify gas type when ordering.



Form# M54 (04/08/13)