



Master Series Open Burner Range Attachment

Item: _____
 Quantity: _____
 Project: _____
 Approval: _____
 Date: _____

Master Series Open Burner Range Attachment

Models:

- M4S M4T

17" Range Attachment With 2 Open Burners



Model M4S

Standard Features:

- Stainless steel front and sides
- Stainless steel door
- 6" (152mm) chrome steel adjustable legs
- 7-1/2" (191mm) stainless steel front rail
- Two (2) 35,000 BTU (10.25 kW), (natural gas), 32,000 BTU (9.37 kw) (propane); two -piece Starfire burners with removable heads
- Removable ring grate bowl over each burner
- Cast iron top grates
- One piece stainless steel drip tray
- Storage base interior of aluminized steel

Optional Features:

- Rear gas connection, 3/4" NPT
- Gas regulator 3/4" or 1-1/4"

- Gas shut off valve; 3/4", 1" or 1-1/4" NPT
- Gas flex hose & quick disconnect (3/4", 1" or 1-1/4" NPT x 5') w/restraining device, please specify
- End caps and cover (NC, Specify)
- Stainless steel main back
- Stainless steel common front rail up to 102" (2591mm) wide (two or more units in a battery)
- Set of (4) Polyurethane non-marking swivel casters w/front brakes
- 6" (152mm) stainless steel adjustable legs
- Modular stand, (T model)
- Dais base, (S model)
- Stainless steel tubular high shelf, single or double deck
- Stainless steel backguard: 10" (354mm), 17" (432mm) or 33" (838mm) high

Specifications:

Heavy-duty gas range attachment with storage base, Model M4S. Two (2) 35,000 BTU (10.25 kW) two piece Starfire burners. Heavy-duty cast iron top grate/ ring grates. 17" (432mm) wide x 38" (965mm) deep, including 7-1/2" (191 mm) deep stainless steel front rail. Stainless steel front and sides. 70,000 BTU (20.51 kW) total. Natural or propane gas available. Also available with modular top, suffix T.



NOTE: Attachments supplied with casters must be installed with an approved restraining device.



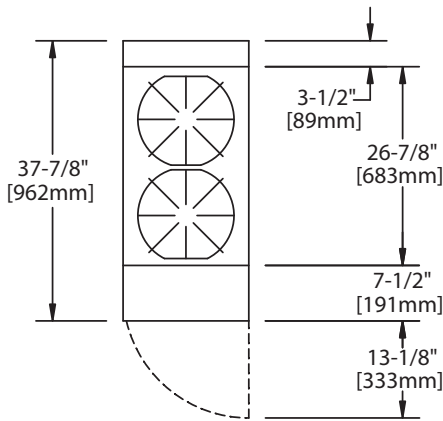
| Product | Width: In(mm) | Depth: In(mm) | Height: In(mm) (w/ NSF Legs) | Height: In(mm) (w/o NSF Legs) | Storage Base Interior: in(mm) | | |
|---------|---------------|---------------|------------------------------|-------------------------------|-------------------------------|-------------|-------------|
| | | | | | Width | Depth | Height |
| M4S | 17(432) | 38(965) | 36-3/8(924) | 30-3/8(772) | 14(356) | 32-1/2(826) | 20-1/2(519) |
| M4T | 17(432) | 38(965) | 36-3/8(924) w/stand | 9-1/2(241) w/o stand* | N/A | N/A | N/A |

*Modular top has 1-1/2" seating flanges.

| INPUT-BTU/hr | M4S | M4T |
|--|------------------|------------------|
| 2 Open Burners (35,000 BTU each) Natural Gas | 70,000 (20.51kW) | 70,000 (20.51kW) |
| 2 Open Burners (32,000 BTU each) Propane Gas | 64,000 (18.74kW) | 64,000 (18.74kW) |

S=Range w/Storage Base T=Modular Top

| INSTALLATION NOTES | | | Shipping (Lb/Kg) - Cu Ft |
|--|--|---|-----------------------------------|
| Combustible Wall Clearances ¹ | Entry Clearances | Manifold Operating Pressure | M4S 200/91 - 26 M4T 120/55 - 9 |
| Sides: 14" (356mm) Back: 6" (152mm) | Crated: 22 1/4" (565mm) Uncrated: 17-1/4" (438mm) | Natural: 6" WC (15mbar) Propane: 10" WC (25mbar) | |



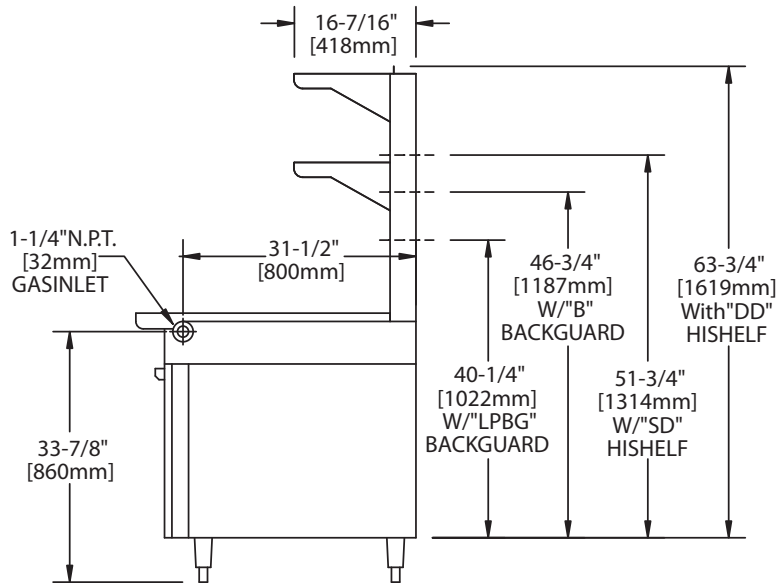
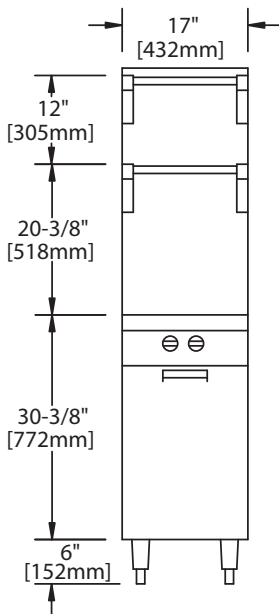
¹NOTE: Installation clearance reductions are applicable only where local codes permit.

Data applies only to North America

Gas input ratings shown here are for installations up to 2,000 ft. (610m) above sea level. Specify altitudes over 2,000 ft.

Please specify gas type when ordering.

Garland/U.S. Range products are not approved or authorized for home or residential use, but are intended for commercial applications only. Garland / U.S. Range will not provide service, warranty, maintenance or support of any kind other than in commercial applications



Form# M4SM4T (04/09/13)