



# Master Series Heavy Duty Combination Top Range

Item: \_\_\_\_\_  
 Quantity: \_\_\_\_\_  
 Project: \_\_\_\_\_  
 Approval: \_\_\_\_\_  
 Date: \_\_\_\_\_

Master Series Heavy Duty Combination Top Range

### Models:

- M42-6R       M42-6S       M42-6T

Even Heat Hot Top & Two Open Burners Range

PHOTO NOT AVAILABLE

### Standard Features:

- Stainless steel front and sides
- 6" (152mm) chrome steel adj. legs
- 7-1/2" (191mm) stainless steel front rail
- 1 heavy duty cast iron even hear top on left with 1 burner rated 30,000 BTU (8.89kW) total
- Heavy gauge aluminized steel radiation baffle shield
- Two 35,000 BTU (10.25kW), natural or 32,000 BTU (9.37kW) 2- piece Starfire burners with removable heads
- Removable ring grates over each open top burner
- Cast iron top grates
- Stainless steel drip tray under open burners
- Piezo Spark ignition for oven
- 40,000 BTU (11.72kW) natural gas, 35,000 BTU (10.25kW) propane gas cast iron oven burner
- Fully porcelainized oven interior

### Optional Features:

- Stainless steel oven interior
- Stainless steel main back
- Corner columns for banking –specify
- Stainless steel common front rail

- up to 102" (2591 mm) wide, (two or more units in a battery)
- Convection oven base, add C to model #, e.g. M42-6RC
- Additional oven rack
- Rear gas connection, 3/4" or 1-1/4" NPT
- Gas regulator 3/4" or 1-1/4"
- Gas shut off valve; 3/4", 1" or 1-1/4" NPT
- Gas flex hose & quick disconnect (3/4", 1" or 1-1/4" NPT x 5") w/restraining device, please specify
- End caps and cover (NC, specify)
- Set of (4) Polyurethane non-marking swivel casters w/front brakes
- 6" (152mm) stainless steel adj. legs
- Dais base (not for use with "RC" oven)
- Storage base shelf of aluminized or stainless steel
- Stainless steel tubular high shelf, single or double deck
- Stainless steel backguard: 10" (354mm), 17" (432mm) or 33" (838mm)
- 230 volt, 50 cycle components, RC motor (export)
- Celsius dial for oven thermostat (NC)

### Specifications:

Heavy-duty gas range with oven, Model M42-6R, combination top. One 17" (432mm) wide even hot top, 30,000 BTU (8.79kW) on left and two 35,000 BTU (10.25kW) Starfire open burners. Heavy duty cast iron top grates/ring grates 34" (864mm) wide x 38" (965mm) deep, including 7-1/2" (191mm) deep stainless steel front rail. Porcelain enamel oven interior with 40,000 BTU (11.72kW) cast iron oven burner. Stainless steel front and sides. Natural or propane gas. Also available with storage base w/ doors, suffix S, and modular top, suffix T.



NOTE: Ranges supplied with casters must be installed with an approved restraining device.



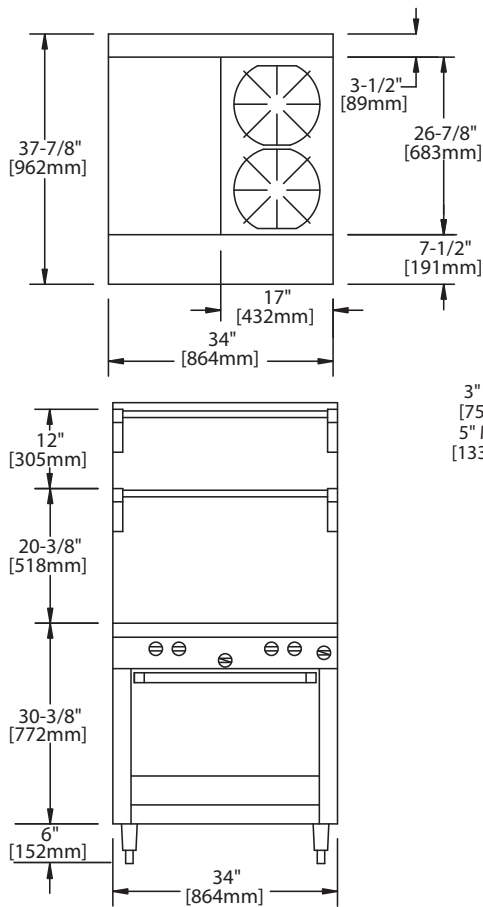
Product	Width: In(mm)	Depth: In(mm)	Height: In(mm) (w/ NSF Legs)	Height: In(mm) (w/o NSF Legs)	Oven Interior: in(mm)		
					Width	Depth	Height
M42-6R	34(864)	38(965)	36-3/8(924)	30-3/8(772)	26-1/4(667)	29(737)**	13-1/2(343)
M42-6S	34(864)	38(965)	36-3/8(924)	30-3/8(772)	26-1/4(667)	29(737)	13-1/2(343)
M42-6T	34(864)	38(965)	36-3/8(924) w/stand	9-1/2(241) w/o stand*	N/A	N/A	N/A

\*Modular top has 1-1/2" seating flanges \*\*RC oven is 25"(635mm) deep.

INPUT-BTU/hr	M42R-6R & M42-6RC		M42-6S & M42-6T	
	Natural	Propane	Natural	Propane
Hot Top	30,000 (8.90kW)	30,000 (8.90kW)	30,000 (8.90kW)	30,000 (8.90kW)
Open Burners	70,000 (20.50kW)	64,000 (18.74kW)	70,000 (20.50kW)	64,000 (18.74kW)
Oven***	40,000 (11.72kW)	35,000 (10.25kW)	N/A	N/A
Total	140,000 (41.12kW)	129,000 (37.89kW)	100,000 (29.40kW)	94,000 (27.64kW)

RC=Range w/Convection Oven R=Range w/Oven S=Range w/Storage Base T=Modular Top

INSTALLATION NOTES			Shipping Wt: (Lb/Kg) <sup>2</sup>	
Combustible Wall Clearances <sup>1</sup>	Entry Clearances	Operating Pressure	M42-6R	445/202
Sides: 11" (279mm) Back: 6" (152mm)	Crated: 39-1/4"(997mm) Uncrated: 34-1/4" (870mm)	Natural: 6" WC (15mbar) Propane: 10" WC (25mbar)	M42-6S	345/157
			M42-6T	255/116



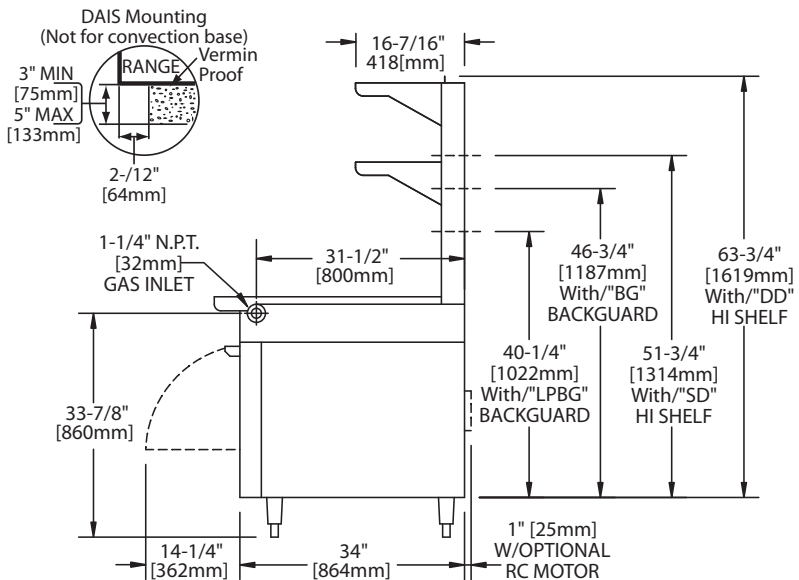
<sup>1</sup>NOTE: Installation clearance reductions are applicable only where local codes permit.

<sup>2</sup>Shipping Cubic Feet 50 for R & S Models, 20 for T models

Data applies only to North America

Gas input ratings shown here are for installations up to 2,000 ft. (610m) above sea level. Specify altitudes over 2,000 ft.

Electrical characteristics each RC oven: 1/3 HP motor, 120 VAC, single phase, 3.4 amps, 6 ft. (1.8m) power cord with NEMA 5-15P plug provided. 230 VAC export is direct connect, single phase, 50 Hz. Please specify gas type when ordering.



Form# M42-6 (04/08/13)