

BUNN®

trifecta® Air Infusion™ Single Cup Brewer



ITEM#

PROJECT

DATE

Features



trifecta

Dimensions: 26.73"H x 11.89"W x 11.87"D
(60.3cm H x 30.2cm W x 30.1cm D)

For current specification sheets and other information, go to www.trifectalexperience.com.

Tech enabled barista crafted single cup

Every coffee has a voice. With the trifecta, the barista creates an experience which unlocks the nuances of that coffee. Using an air infusion single cup process, the trifecta brews so that each coffee's unique voice resonates.

trifecta brewing phases:

1 Wetting

The saturation of the coffee grounds can be controlled to get the percentage of water and pause appropriate for that coffee.

2 Extraction

Controlled air is injected into the brew chamber to agitate the coffee at just the right time. The result is a uniform extraction and complex beverage sure to please any coffee lover.

3 Hydrolysis

Air presses the beverage through a metal screen that filters out coffee grounds while preserving coffee oils and aromatics for a deep-bodied, unique coffee experience.



Related Products

trifecta Brew Chamber
Product No. : 43279.1000



trifecta Cleaning Tablets
Product No. : 42933.1000



trifecta Cup Assembly
Product No. : 42388.1000



G2 trifecta Grinder
Product No. : 41900.0000



trifecta Check Valve
Product No. : 42610.1000



trifecta Accessory Kit
Product No. : 42768.1000

back view



Model

TRIFECTA

Agency Listing



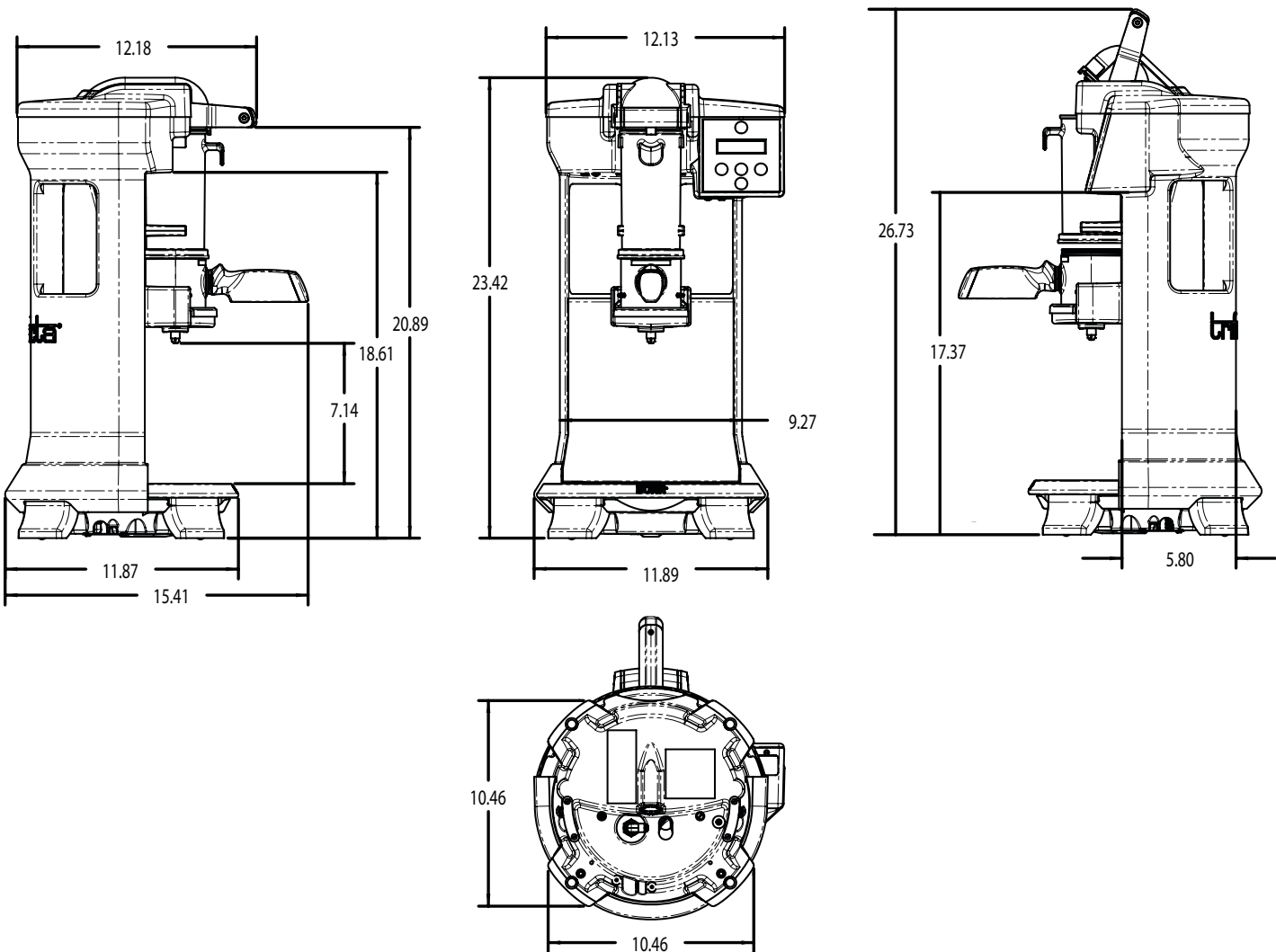
Dimensions & Specifications

Model	Finish	Product #	Volts	Amps	Total Watts	Cu. Ft.	Shipping Weight	Cord Attached
TRIFECTA	Silver	41200.0000	120	11.45	1375	2.48	41.7 lbs.	Yes
TRIFECTA	White	41200.0005	120	11.45	1375	2.48	41.7 lbs.	Yes
TRIFECTA	Black	41200.0006	120	11.45	1375	2.48	41.7 lbs.	Yes

Power cord (NEMA 5-15P) 15 Amp-120V machine only.

Electrical: 2-wires plus ground service rated 120V, single phase, 60Hz.

Plumbing: 20-90 psi (138-621 kPa). Supplied with 1/4" (6.4 mm) male flare fitting.



Bunn-O-Matic® Corporation - 1400 Stevenson Drive Springfield, Illinois 62703 • 800-637-8606 • 217-529-6601 • Fax 217-529-6644 • www.bunn.com

BUNN® practices continuous product research and improvement. We reserve the right to change specifications and product design without notice. Such revisions do not entitle the buyer to corresponding changes, improvements, additions or replacements for previously purchased equipment.

All dimensions shown in inches.

10/12 © Bunn-O-Matic Corporation