

## 2 Gallon Hot Water Dispenser/Oatmeal



### Features

#### 2 Gallon Hot Water Dispenser/Oatmeal

- Two gallons (7.57 litres) of hot water in a space-saving machine just 7.1" (18.03 cm) wide to fit any counter.
- Fresh, hot water is always available since the HW2 is hooked to your water line.
- High quality, easy-to-clean stainless steel exterior and tank for a long, dependable life.
- Includes oatmeal decal.
- Includes drip tray.
- Two Year parts and labor warranty.

#### HW2-Oatmeal

Dimensions: 24"H x 7.1"W x 14.3"D  
(60.96cm H x 18.03cm W x 36.3cm D)

For current specification sheets and other information, go to [www.bunn.com](http://www.bunn.com).

### Related Products

#### Easy Clear® EQ-17-TL

Product No. : 30200.1000

Dimensions:

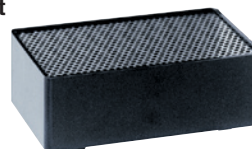
12<sup>7</sup>/<sub>16</sub>" H x 2<sup>1</sup>/<sub>2</sub>" W x 3" D

31.6 cm H x 6.35 cm W x 7.62 cm D



#### Replacement Drip Tray Kit

Product No.: 02497.0001



#### Easy Clear® ED-17-TL

Product No. : 30201.1001

Dimensions: 8<sup>1</sup>/<sub>4</sub>" H x 2<sup>5</sup>/<sub>16</sub>" Dia.

20.95 cm H x 5.87 cm Dia.

**Model**

HW2

**Agency Listing**



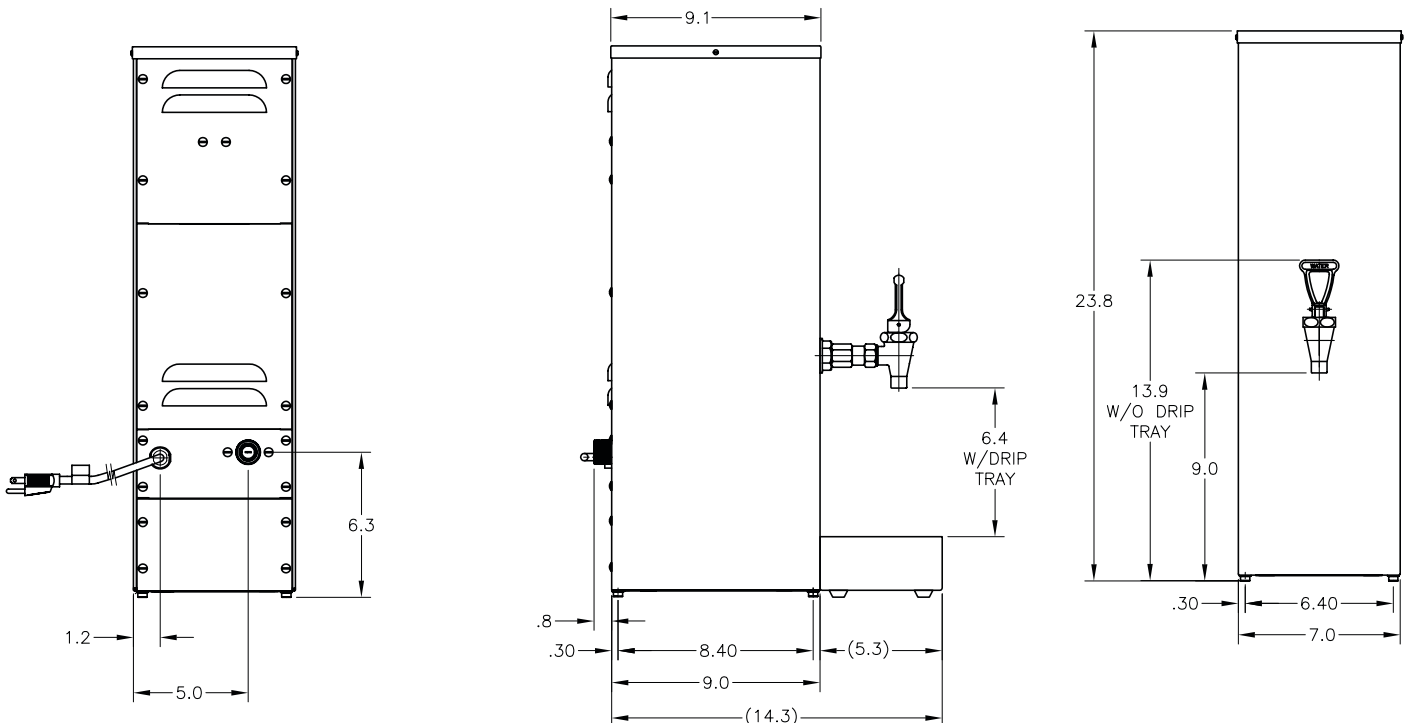
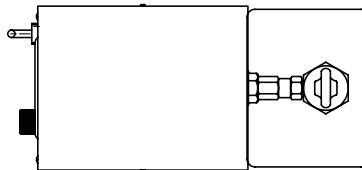
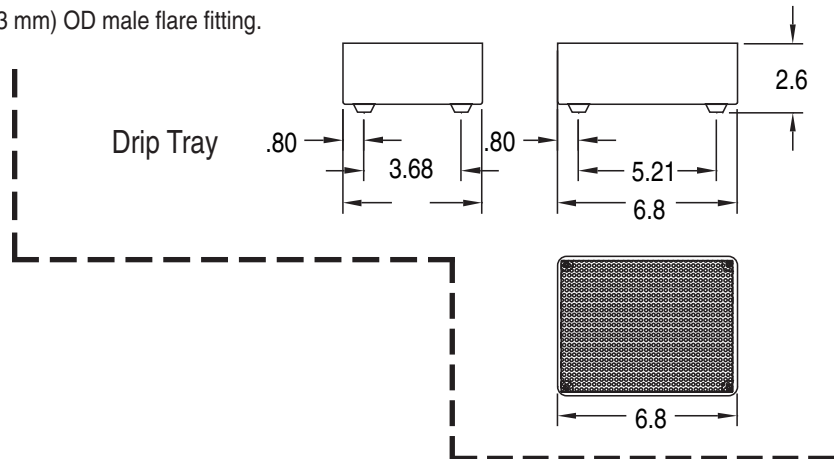
## Dimensions & Specifications

| Model | Product #  | Volts | Amps | Tank Heater Watts | Total Watts | °F Settings | Dispensing Capacity | Cu. Ft. | Shipping Weight | Cord Attached |
|-------|------------|-------|------|-------------------|-------------|-------------|---------------------|---------|-----------------|---------------|
| HW2   | 02500.0012 | 120   | 15   | 1700              | 1800        | 200         | 4.2 gal./hr.**      | 2.1     | 23 lbs.         | Yes*          |

\*Power cord (NEMA 5-15P) 15 Amp-120V machine only. \*\*Based on incoming water temperature of 50°F.

Electrical: Model requires 2-wires plus ground service rated 120V, single phase, 60 Hz.

Plumbing: 20-90 psi (138-621 kPa). Supplied with ¼" (6.3 mm) OD male flare fitting.



Bunn-O-Matic® Corporation - 1400 Stevenson Drive Springfield, Illinois 62703 • 800-637-8606 • 217-529-6601 • Fax 217-529-6644 • www.bunn.com

BUNN® practices continuous product research and improvement. We reserve the right to change specifications and product design without notice. Such revisions do not entitle the buyer to corresponding changes, improvements, additions or replacements for previously purchased equipment.

All dimensions shown in inches.

2/13 © Bunn-O-Matic Corporation