

5 Gallon Element Hot Water Dispenser

ITEM#

PROJECT

DATE



H5E/H5X Element

Dimensions: 28.5"H x 7.4"W x 17.6"D
(72.4cm H x 18.8cm W x 44.7cm D)

Features

Providing accuracy, adjustability, energy efficiency and styling to our quality line of hot water equipment

- Digital thermostat provides consistent and accurate temperatures of 60°-212°F (15.6°-100°C).
- New contemporary, space-saving design.
- LED display provides simple temperature adjustment.
- Programmable "Energy Saver Mode" reduces operating cost during idle periods.
- Thinsulate® tank insulation provides increased energy efficiency.
- The perfect tool for added control over quality coffee and tea.



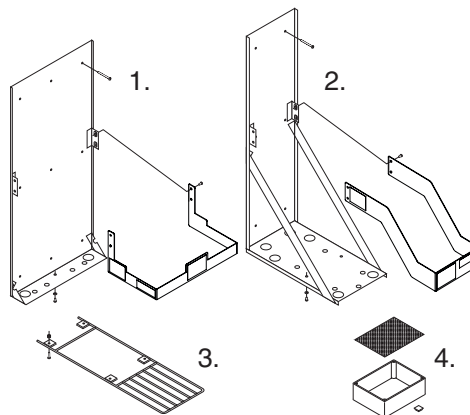
For current specification sheets and other information, go to www.bunn.com.

Related Products

Easy Clear® EQHP-10
Product No. : 39000.0004



Easy Clear® EQHP-10L
Product No. : 39000.0001



1. Wall Mount Bracket (side)

Product No. : 12542.0005
Dimensions: 30" H x 131/2" W x 41/2" D
76.2 cm H x 34.29 cm W x 11.43 cm D
Retaining Bracket (side) only
Product No. : 12549.1001

2. Wall Mount Bracket (front)

Product No. : 13125.0003
Dimensions: 301/2" H x 81/2" W x 151/4" D
77.47 cm H x 21.59 cm W x 38.74 cm D
Retaining Bracket (front) only
Product No. : 13127.1001

3. Container Holding Shelf

Product No. : 12599.0000
Dimensions: 63/4" W x 21" D
17.15 cm W x 53.34 cm D

4. Drip Tray

Product No. : 02497.0000

Model

H5E Element
H5X Element

Agency Listing

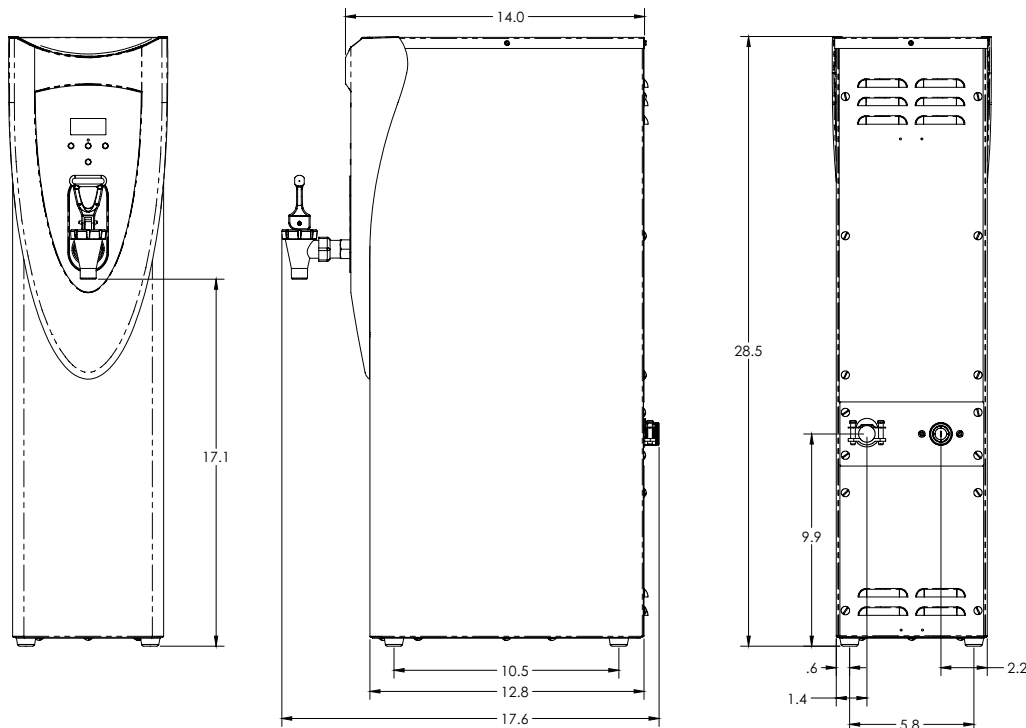


Dimensions & Specifications

Model	Product #	Volts	Amps	Total Watts	°F Settings	Gal./Hr. cold water input 35°F (1.6°C)	Gal./Hr. hot water input 140°F (60°C)	Cu. Ft.	Shipping Weight	Cord Attached
H5E Element SST	43600.0000	208	19.5	4050	200	<i>Varies with application</i>		4.1 ft ³	32 lbs.	No
	43600.0001	240	16.9	4050	200	<i>Varies with application</i>		4.1 ft ³	32 lbs.	No
	43600.0025	120	15.4	1850	200	<i>Varies with application</i>		4.1 ft ³	32 lbs.	No
H5X Element SST	43600.0002	208	19.5	4050	212	7.3	14.7	4.1 ft ³	32 lbs.	No
	43600.0003	240	16.9	4050	212	7.3	14.7	4.1 ft ³	32 lbs.	No
	43600.0026	120	15.4	1850	212	3.7	8.1	4.1 ft ³	32 lbs.	No
<i>H5E-40-208 Element Specifications:</i>		208	19.5	4000	200	<i>Varies with application</i>		4.1 ft ³	32 lbs.	No
H5E Element Red	43600.0004									
H5E Element Copper	43600.0005									
H5E Element Black	43600.0006									
H5E Element White	43600.0007									
<i>H5X-40-208 Element Specifications:</i>		208	19.5	4000	212	7.3	14.7	4.1 ft ³	32 lbs.	No
H5X Element Red	43600.0008									
H5X Element Copper	43600.0009									
H5X Element Black	43600.0010									
H5X Element White	43600.0011									

Electrical: All models require 2-wires plus ground service, 208V,240V or 120V single-phase, 60Hz. Strain relief on rear side of machine.

Plumbing: 20-90 psi (138-621 kPa). Machine supplied with ¼" OD male flare fitting.



Bunn-O-Matic® Corporation - 1400 Stevenson Drive Springfield, Illinois 62703 • 800-637-8606 • 217-529-6601 • Fax 217-529-6644 • www.bunn.com

BUNN® practices continuous product research and improvement. We reserve the right to change specifications and product design without notice. Such revisions do not entitle the buyer to corresponding changes, improvements, additions or replacements for previously purchased equipment.

All dimensions shown in inches.