



Over 90 Years Of Quality Foodservice
Products And Service

Job _____ Item No. _____

NSF-7 Refrigerated Cold Pans

- RCP-7100 RCP-7200 RCP-7300
- RCP-7400 RCP-7500 RCP-7600



Model RCP-7200

DESCRIPTION

Wells Refrigerated Drop-In Cold Pans hold pre-chilled food products at cold, fresh and safe serving temperatures. All models are completely self-contained in one to six-pan models with individual thermostatic controls, are CFC free and include an 8 ft. 120V cord and plug. Pans are recessed 3" to comply with NSF-7 performance requirements.

SPECIFICATIONS

Exterior – One-piece top flange and coved-corner interiors constructed of 18 gauge stainless steel. Exterior body constructed of heavy gauge, corrosion resistant steel. Condensing unit mounted on corrosion resistant frame below the cold pan.

Interior – CFC free foamed-in-place insulation through-out, 1" drain located in the center for easy cleaning. Ledge is recessed 3" to comply with NSF-7 requirements, allowing a layer of air to insulate food and for pan support.

Refrigeration – Air cooled, type 134A or 404A CFC free refrigerant system featuring wrapped coil construction on both sides and bottom, individual thermostats, on/off switch, 8 ft. cord and plug set NEMA 5-15P (120V models). Refrigeration system features sight glass, easy service valves, dryer/filter and receiver. Condensing unit may be easily removed for service.

STANDARD FEATURES

- 3" recessed top edge to comply with NFS-7 requirements
- Self contained drop-in design
- Hold standard 12" by 20" food pans and fractional sized pans
- Stainless steel top and liner for maximum strength and durability
- 1" drains for ease of cleaning
- On-off switch with 8 ft cord & plug for ease of installation and operation
- Type 134A or 404A CFC free refrigerant
- Fully insulated, CFC free, foamed-in place insulation keeps food cold while saving energy
- Recessed ledge for pan support and colder, fresher products
- Quick & easy service with sight glass, service valves, filter/dryer and receiver
- Limited 1 year parts & labor warranty

OPTIONS & ACCESSORIES

- 5-year compressor warranty
- Perforated bottom strainer plate conveniently holds ice above drain to prevent clogging
- Adaptor bars for fractional sized pans
- Remote on/off switch
- 220/230/240V
- 50 cycle
- Remote models (Includes compressor and condensing units and up to 20' leads)
- Remote models without compressors or condensing units
- Special condenser orientation and compressor rack position
- 2nd year parts & labor warranty

CERTIFICATIONS



Sheet No. WELLRCP7-02/12



Wells Bloomfield • 10 Sunnen Dr. St. Louis, MO 63143 U.S.A.

Phone : (314) 678-6314 • Fax (314) 781-3636

www.wellsbloomfield.com © 2012 Wells Bloomfield • Printed in the U.S.A.

NOTE: Specifications are subject to change without notice and are not intended for installation purposes. See installation instructions prior to installing the unit.

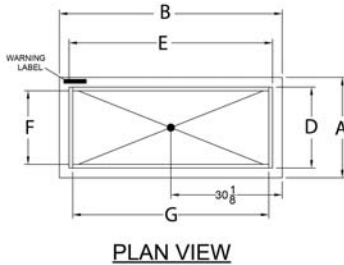


Over 90 Years Of Quality Foodservice Products And Service

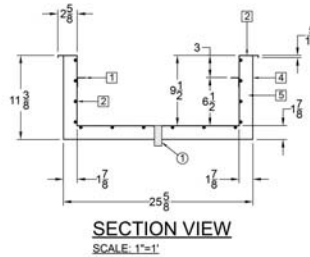
NSF-7 Refrigerated Cold Pans

- ❑ RCP-7100
- ❑ RCP-7200
- ❑ RCP-7300
- ❑ RCP-7400
- ❑ RCP-7500
- ❑ RCP-7600

INCHES
MM



PLAN VIEW

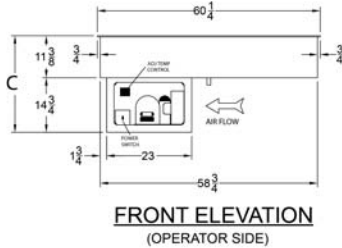


SECTION VIEW
SCALE: 1"=1"

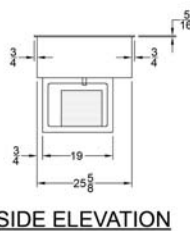
NOTE: Specifications are subject to change without notice and are not intended for installation purposes. See installation instructions prior to installing the unit.

COUNTER CUTOUT:
59" X 25 7/8"

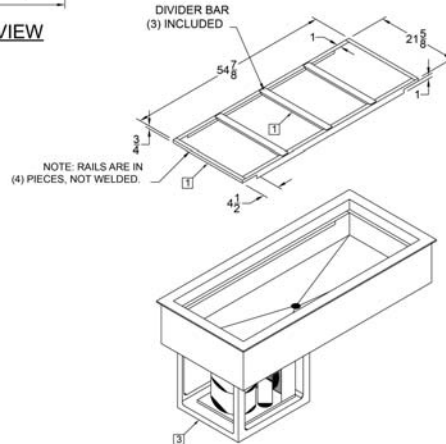
RCP-7400 SHOWN



FRONT ELEVATION
(OPERATOR SIDE)



SIDE ELEVATION



ISOMETRIC VIEW

SPECIFICATIONS								SHIPPING INFORMATION							
Model Number	OVERALL DIMENSIONS			INTERIOR DIMENSIONS		CUT OUT DIMENSIONS		Model Number	WEIGHTS		CARTON DIMENSIONS			CRATE SIZE	
	A Front to Back Inches (MM)	B Left to Right Inches (MM)	C Height Inches (MM)	D Front to Back Inches (MM)	E Left to Right Inches (MM)	F Front to Back Inches (MM)	G Left to Right Inches (MM)		SHIPPING WEIGHT POUNDS (KG)	INSTALLED WEIGHT POUNDS (KG)	WIDTH Inches (MM)	DEPTH Inches (MM)	HEIGHT Inches (MM)	CUBIC FEET	CUBIC METERS
RCP-7100	27-1/8 (689)	19-1/8 (486)	26-1/8 (664)	21-7/8 (556)	13-7/8 (352)	25-7/8 (657)	17-7/8 (454)	RCP-7100	115 (52)	105 (48)	21 (533)	29 (737)	32 (813)	11.3	0.31
RCP-7200	27-1/8 (689)	32-3/4 (832)	26-1/8 (664)	21-7/8 (556)	27-1/2 (699)	25-7/8 (657)	31-1/2 (800)	RCP-7200	140 (64)	124 (56)	29 (737)	34 (864)	32 (813)	18.3	0.52
RCP-7300	27-1/8 (689)	46-1/2 (1181)	26-1/8 (664)	21-7/8 (556)	41-1/4 (1048)	25-7/8 (657)	45-1/4 (1149)	RCP-7300	175 (79)	156 (71)	29 (737)	48 (1219)	32 (813)	25.8	0.73
RCP-7400	27-1/8 (689)	60-1/4 (1530)	26-1/8 (664)	21-7/8 (556)	55 (1397)	25-7/8 (657)	59 (1498)	RCP-7400	210 (95)	175 (79)	29 (737)	62 (1575)	32 (813)	33.3	0.94
RCP-7500	27-1/8 (689)	74 (1880)	26-1/8 (664)	21-7/8 (556)	68-3/4 (1746)	25-7/8 (657)	72-3/4 (1847)	RCP-7500	245 (111)	194 (88)	29 (737)	76 (1930)	32 (813)	41.0	1.16
RCP-7600	27-1/8 (689)	87-3/4 (2229)	26-1/8 (664)	21-7/8 (556)	82-1/2 (2096)	25-7/8 (657)	86-1/2 (2197)	RCP-7600	285 (129)	213 (97)	29 (737)	89 (2261)	32 (813)	47.8	1.35

POWER SUPPLY						
Model Number	VOLTS	HP	AMPS	PHASE	POWER SUPPLY	Refrigerant
RCP-7100	115	1/4	4.9	SINGLE	NEMA 5-15P	134A
RCP-7200	115	1/4	4.9	SINGLE	NEMA 5-15P	134A
RCP-7300	115	1/3	5.5	SINGLE	NEMA 5-15P	404A
RCP-7400	115	1/2	6.4	SINGLE	NEMA 5-15P	404A
RCP-7500	115	3/4	15.2	SINGLE	NEMA 5-20P	404A
RCP-7600	115	3/4	15.2	SINGLE	NEMA 5-20P	404A

Due to periodic changes in designs, methods, procedures, policies and regulations, the specifications contained in this sheet are subject to change without notice. While Wells exercises good faith efforts to provide information that is accurate, we are not responsible for errors or omissions in information provided or conclusions reached as a result of using the specifications. By using the information provided, the user assumes all risks in connection with such use.



Wells Bloomfield • 10 Sunnen Dr. St. Louis, MO 63143 U.S.A.
Phone : (314) 678-6314 • Fax (314) 781-3636
www.wellsbloomfield.com © 2012 Wells Bloomfield • Printed in the U.S.A.

NOTE: Specifications are subject to change without notice and are not intended for installation purposes. See installation instructions prior to installing the unit.