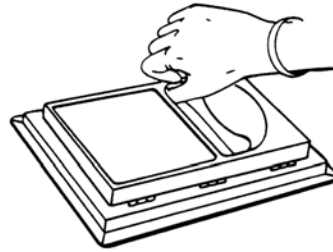


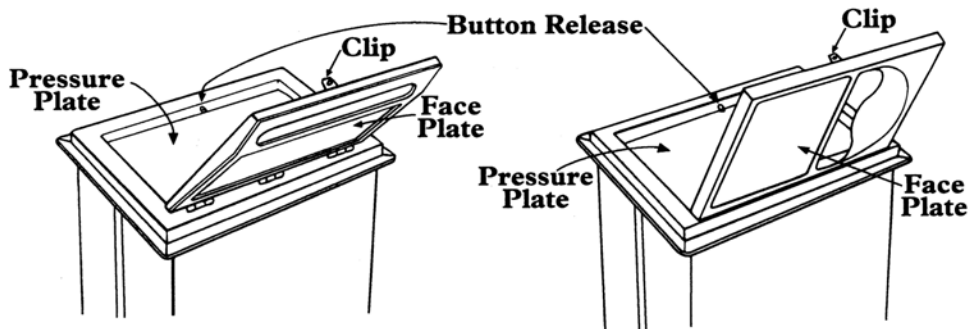
TO FILL ALL MODELS: To open unit, insert finger through napkin slot and depress the button release as shown.



HORIZONTAL SLOT



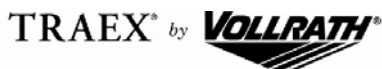
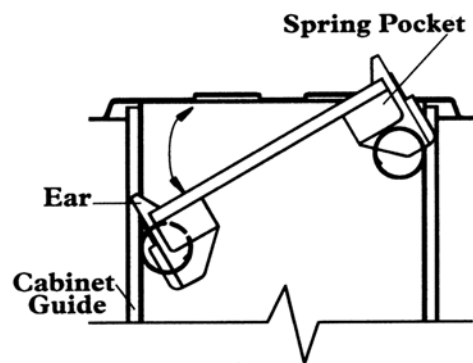
VERTICAL SLOT



With unit open, push back spring-loaded pressure plate and place napkins in so that napkin fold (front of napkin) can be grasped through the slot in the faceplate.

CLEANING ALL MODELS: Depress button release, open dispenser and remove any remaining napkins. Pressure plate may now be removed for cleaning. Simply tilt the pressure plate as illustrated, until one end clears the cabinet. Remove the pressure plate and clean as required.

To reassemble, tilt the pressure plate, and insert in the cabinet, making sure the ears are located in the cabinet guides, (the pressure plate can only be inserted one way) and the springs are located in the pockets of the pressure plate. Inserting the pressure plate will depress the springs. Once the pressure plate is fully inserted, release, allowing it to lock in place.

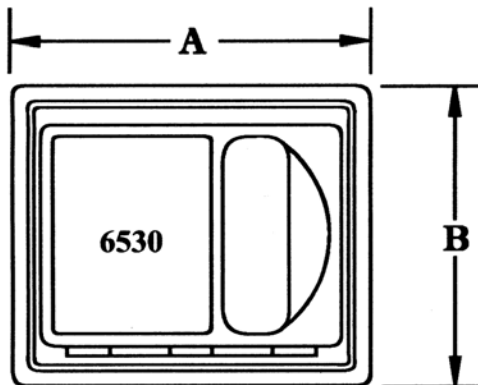
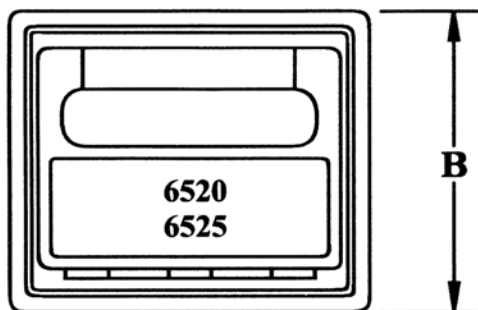


The Vollrath Company, L.L.C.
1236 North 18th Street
Sheboygan, WI 53081-3201
U.S.A.

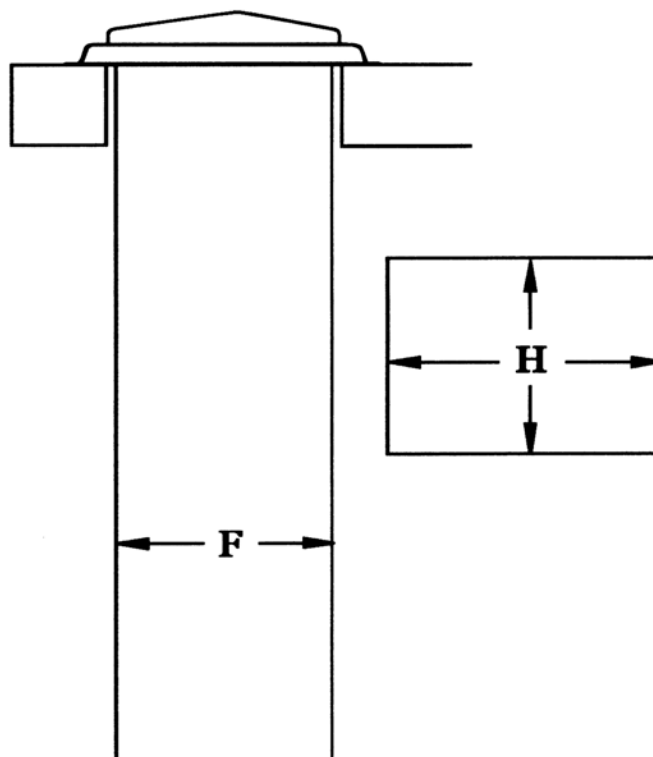
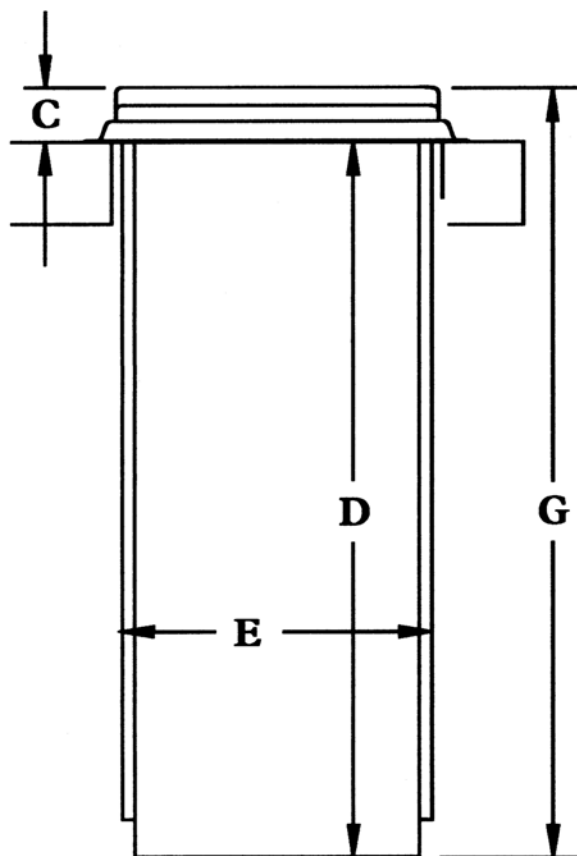
Main Tel: 800.628.0830
Fax: 800.752.5620
Technical Services: 800.628.0832
Service Fax: 920.459.5462
Canada Service: 800.695.8560
© 2011 The Vollrath Company, L.L.C.

Rev B 7/18/2011 P/N 91016

DIMENSIONAL SPECIFICATIONS



DIMENSIONS	MODEL 6520	MODEL 6525	MODEL 6530
FACE PLATE LENGTH A	9½" 241mm	9½" 241mm	9½" 241mm
FACE PLATE WIDTH B	6 7/8" 175mm	7 7/8" 200mm	7 7/8" 200mm
FACE PLATE HEIGHT C	1½" 38mm	1½" 38mm	1½" 38mm
CABINET DEPTH D	17½" 445mm	17½" 445mm	17½" 445mm
CABINET LENGTH E	7½" 191mm	7 11/16" 195mm	7 11/16" 195mm
CABINET WIDTH F	4 7/16" 113mm	5 7/16" 138mm	5 7/16" 138mm
OVERALL HEIGHT G	19" 483mm	19" 483mm	19" 483mm
COUNTER OPENING H	4 9/16" X 7 13/16" 116 X 198mm	5 9/16" X 7 13/16" 141 X 198mm	5 9/16" X 7 13/16" 141 X 198mm



TRAEX[®] by **VOLLRATH[®]**

The Vollrath Company, L.L.C.
1236 North 18th Street
Sheboygan, WI 53081-3201
U.S.A.

Main Tel: 800.628.0830
Fax: 800.752.5620
Technical Services: 800.628.0832
Service Fax: 920.459.5462
Canada Service: 800.695.8560
© 2011 The Vollrath Company, L.L.C.

7/18/2011
P/N 91016 Rev B