



Outperform every day.™

Project:

Item Number:

Quantity:

UNIVERSAL ELECTRIC CHAFER HEATER



Electric chafer heater shown in 46255 New York, New York® chafers.



MODELS

46060 Electric Chafer Heater

FEATURES

- Designed to maintain the proper serving temperature without the need for open flame.
- Sized to fit standard fuel cup openings.
- Fits all Vollrath chafers except for 46030, 46328, 46430, 46850, 48328, 49525
- Spring-loaded element maintains full contact with the water pan for efficient heat transfer.
- Lighted switch glows when heater is turned on
- Choose from two power settings – LO: 160 watts and HI: 275 watts.
- Only one chafers heater needed per full size chafers if set on "HI" and water level does not exceed 1/3" (0.8 cm)
- 6-ft. (183 cm) long grounded cord.

DESCRIPTION

Update your existing chafers to the convenience of electric heat. Vollrath's Universal Electric Chafer Heater is designed to maintain the proper serving temperature without the need for open flame.

Agency Certifications - Vollrath Universal Heaters



Due to continued product improvement, please consult www.vollrath.com for current product specifications.

WARRANTY: All models shown come with Vollrath's standard warranty against defects in materials and workmanship. For full warranty details, please refer to www.Vollrath.com.

Approvals	Date



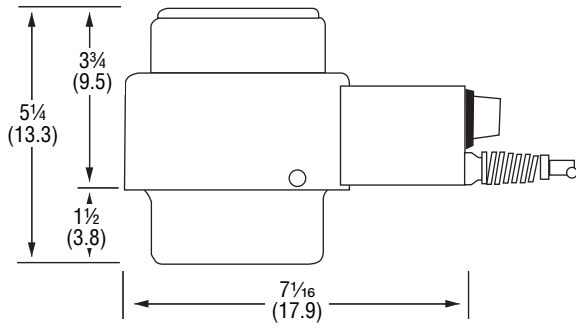
Outperform every day.™
www.vollrath.com

The Vollrath Company, L.L.C.
1236 North 18th Street
Sheboygan, WI 53081-3201 U.S.A.
Customer Service: 800.628.0830
Canada Customer Service: 800.695.8560
Main Fax: 800.752.5620 or 920.459.6573

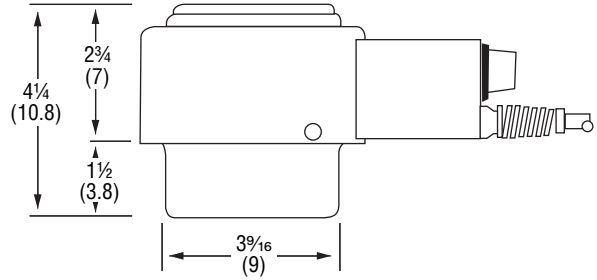
Technical Services: 800.628.0832
Technical Services Fax: 920.459.5462

UNIVERSAL ELECTRIC CHAFER HEATER

DIMENSIONS (Shown in inches (cm)).



Fully Extended

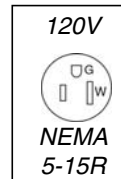


Fully Compressed

SPECIFICATIONS

Model	kW Rating	Volts	Amps	Plug	Shipping Dimensions IN (CM)	Shipping Weight LB (KG)
46060	160/275	120V AC	2.3	5-15P	5 1/4 x 10 1/4 x 6 1/4 (13.3 x 26 x 15.9)	4 (1.8)

Receptacles



Outperform every day.™

www.vollrath.com

The Vollrath Company, L.L.C.
 1236 North 18th Street
 Sheboygan, WI 53081-3201 U.S.A.
 Customer Service: 800.628.0830
 Canada Customer Service: 800.695.8560
 Main Fax: 800.752.5620 or 920.459.6573

Technical Services: 800.628.0832
 Technical Services Fax: 920.459.5462