



Project:

Item Number:

Quantity:

EQUIPMENT STANDS



Equipment Stand

MODELS

- 40740 Equipment Stand – 24" wide
- 40741 Equipment Stand – 36" wide
- 40742 Equipment Stand – 48" wide

FEATURES

- Stainless steel top for long working life
- 1" (2.5 cm) adjustable feet for optimizing height and stability
- Back and side splashes to contain spills and keep equipment securely on table
- Height adjustable galvanized bottom shelf for convenient working storage
- Front edge features no-drip design to contain spills

WARRANTY: All models shown come with Vollrath's standard warranty against defects in materials and workmanship. For full warranty details, please refer to the Vollrath Equipment and Smallwares Catalog.

Approvals	Date

Due to continued product improvement, please consult www.vollrathco.com for current product specifications.



Setting the Standard™

www.vollrathco.com

The Vollrath Company, L.L.C.
 1236 North 18th Street
 Sheboygan, WI 53081-3201 U.S.A.
 Customer Service: 800.628.0830
 Canada Customer Service: 800.695.8560
 Main Fax: 800.752.5620 or 920.459.6573

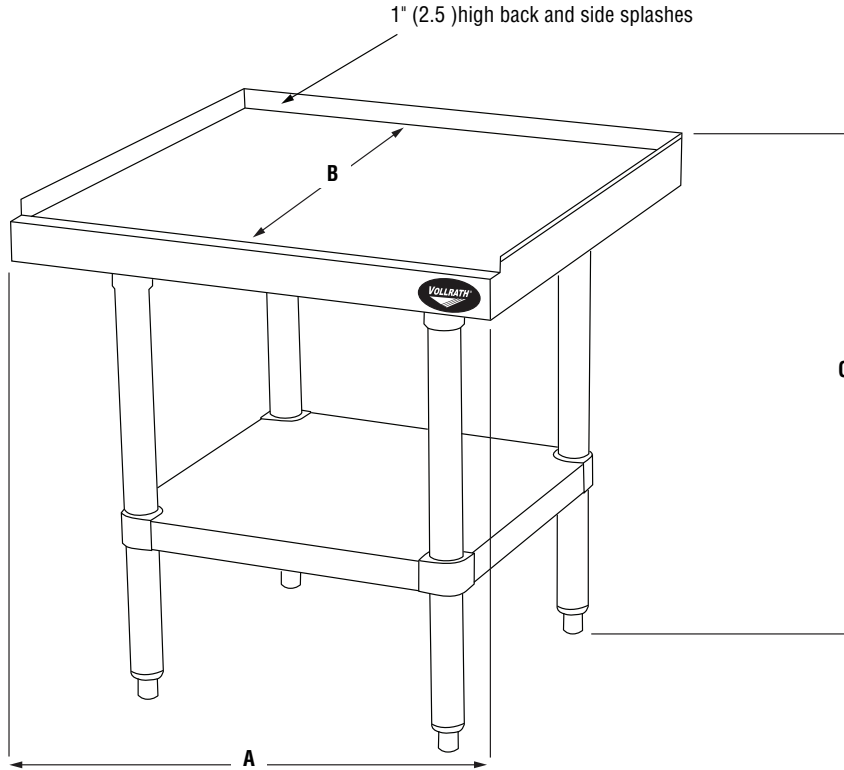
Technical Services: 800.628.0832
 Technical Services Fax: 920.459.5462

EQUIPMENT STANDS

MODELS	40740	Equipment Stand – 24" wide
	40741	Equipment Stand – 36" wide
	40742	Equipment Stand – 48" wide

DIMENSIONS

Dimensions shown in inches (cm).



Note: Bottom shelf height is adjustable.

SPECIFICATIONS

Item	Capacity LB (kg)	Overall Dimensions		
		(A) Width	(B) Depth	(C) Height
40740	250 (113.6)	24 (60.1)	24 (61)	26 (66)
40741	300 (136.3)	36 (91.4)	24 (61)	26 (66)
40742	350 (160)	48 (121.9)	24 (61)	26 (66)



www.vollrathco.com

The Vollrath Company, L.L.C.
 1236 North 18th Street
 Sheboygan, WI 53081-3201 U.S.A.
 Customer Service: 800.628.0830
 Canada Customer Service: 800.695.8560
 Main Fax: 800.752.5620 or 920.459.6573

Technical Services: 800.628.0832
 Technical Services Fax: 920.459.5462