



Outperform every day.™

**Project:**  
**Item Number:**  
**Quantity:**

## ONE WELL HOT MODULES



### DESCRIPTION

The modular drop-in is designed for top-mount installation and does not require hard-wiring.

Full-perimeter drip-edge contains spills and condensation within the stainless steel countertop area of the drop-in. Drip-edge adds additional strength to the flange area.

Drop-in meets NSF4 performance standards only when using moist heat. Operation with water is required for even heating of the food product.

High-density glass-fiber insulation allows zero-clearance installation.

Stainless steel wells allow use of full-size and fractional pans up to 6" (15.2 cm) deep while still providing moist heat. Adaptor bars are recommended when using fractional pans.

### Agency Listings



Due to continued product improvement, please consult [www.vollrath.com](http://www.vollrath.com) for current product specifications.

| Item Numbers               |                      | Description  |             |
|----------------------------|----------------------|--------------|-------------|
| Standard                   | Manifold w/Auto-Fill | Control      | Voltage     |
| <b>1000 Watts Per Well</b> |                      |              |             |
| 3646601                    | 3646661              | Infinite     | 120V        |
| 3646611                    | 3646681              | Thermostatic |             |
| 3646701                    | 3646761              | Infinite     | 208V - 240V |
| 3646711                    | 3646781              | Thermostatic |             |
| <b>625 Watts Per Well</b>  |                      |              |             |
| 36466                      | 3646660              | Infinite     | 120V        |
| 3646610                    | 3646680              | Thermostatic |             |
| 36467                      | 3646760              | Infinite     | 208V        |
| 3646710                    | 3646780              | Thermostatic |             |
| 36471                      | 3647160              | Infinite     | 240V        |
| 3647110                    | 3647180              | Thermostatic |             |

### FEATURES

- Top is 18-gauge stainless steel
- Breaker gasket included for installation under drip-edge
- Flat work surface around opening
- Deep drawn well is 20-gauge stainless steel
- Power indicator light
- Standard drain is ½" (1.3 cm) stainless steel fitting welded to pan with ball valve shutoff below exterior housing
- Manifold drain option is 1" (2.5 cm) copper tubing and retains individual well shut-off and adds manifold shutoff.
- Manifold drain includes auto-fill. Eliminates the need to monitor wells and add water, reducing operating and labor costs. Attaches easily to manifold drain assembly using simple tools. The check valve/siphon prevents cross contamination of drain and potable water lines. Requires separate electrical service. See Auto-fill specification sheet for details.
- Unit insulated on sides, and below element assembly with high-density glass fiber insulation.
- Exterior housing is 20-gauge galvanized steel
- 6 ft (182.2 cm) cord with plug
- Stainless control panel has 3 ft (91.4 cm) teethered flexible rubber cord. Shipped connected to drop-in, but may also be remotely mounted.
- Positioning clips provided to center drop-in within cutout
- Standard mounting clips adjustable for up to 3" (7.6 cm) thick counters
- One-year parts and labor warranty

### ACCESSORIES

- Sheet pan adapter available. Item No. 19186

**WARRANTY:** All models shown come with Vollrath's standard warranty against defects in materials and workmanship. For full warranty details, please refer to [www.Vollrath.com](http://www.Vollrath.com).

| Approvals | Date |
|-----------|------|
|           |      |



Outperform every day.™  
[www.vollrath.com](http://www.vollrath.com)

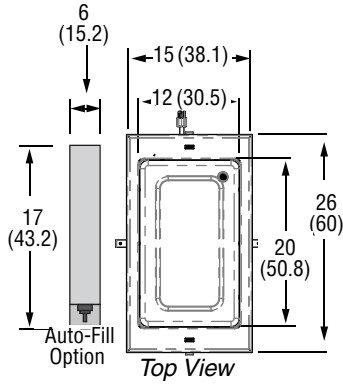
The Vollrath Company, L.L.C.  
1236 North 18th Street  
Sheboygan, WI 53081-3201 U.S.A.  
Customer Service: 800.628.0830  
Canada Customer Service: 800.695.8560  
Main Fax: 800.752.5620 or 920.459.6573

Technical Services: 800.628.0832  
Technical Services Fax: 920.459.5462

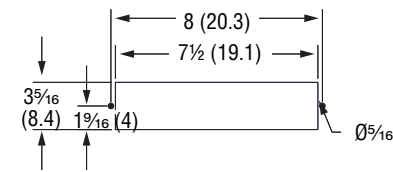
# ONE WELL HOT MODULES

## DIMENSIONS (Shown in inches (cm))

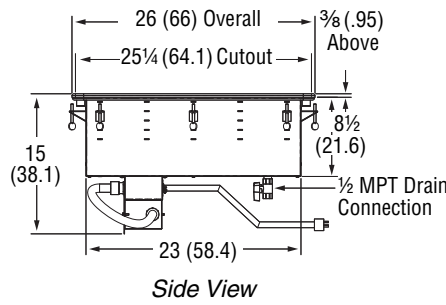
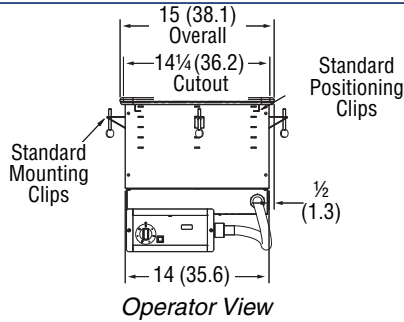
**Note:** Opening cutout must have a 7/8" (2.2 cm) corner radius.



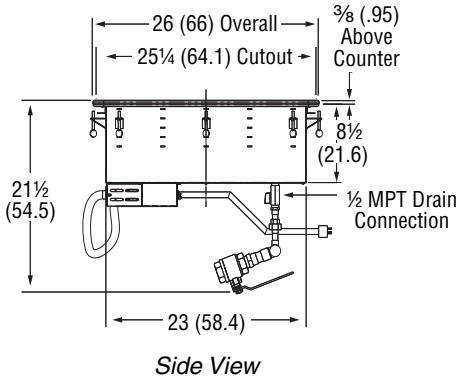
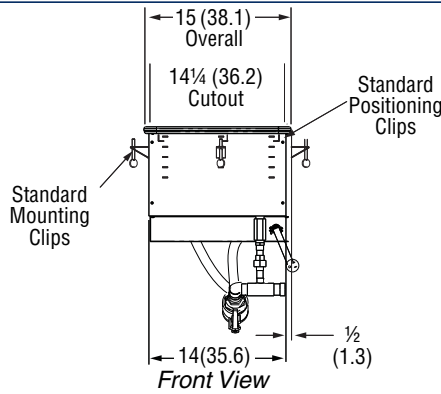
### Control Panel Cutout



### Standard Drain



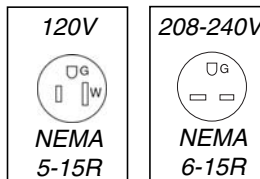
### Manifold Drain



## ELECTRICAL SPECIFICATIONS

| Standard                   | Manifold w/Auto-Fill | Control      | Voltage     | Amps    | Plug       |
|----------------------------|----------------------|--------------|-------------|---------|------------|
| <b>1000 Watts Per Well</b> |                      |              |             |         |            |
| 3646601                    | 3646661              | Infinite     | 120V        | 8.3     | NEMA 5-15P |
| 3646611                    | 3646681              | Thermostatic |             |         |            |
| 3646701                    | 3646761              | Infinite     | 208V - 240V | 3.6-4.2 | NEMA 6-15P |
| 3646711                    | 3646781              | Thermostatic |             |         |            |
| <b>625 Watts Per Well</b>  |                      |              |             |         |            |
| 36466                      | 3646660              | Infinite     | 120V        | 5.2     | NEMA 5-15P |
| 3646610                    | 3646680              | Thermostatic |             |         |            |
| 36467                      | 3646760              | Infinite     | 208V        | 3.0     | NEMA 6-15P |
| 3646710                    | 3646780              | Thermostatic |             |         |            |
| 36471                      | 3647160              | Infinite     | 240V        | 2.6     | NEMA 6-15P |
| 3647110                    | 3647180              | Thermostatic |             |         |            |

### Receptacles



Outperform every day.™

[www.vollrath.com](http://www.vollrath.com)

The Vollrath Company, L.L.C.  
 1236 North 18th Street  
 Sheboygan, WI 53081-3201 U.S.A.  
 Customer Service: 800.628.0830  
 Canada Customer Service: 800.695.8560  
 Main Fax: 800.752.5620 or 920.459.6573

Technical Services: 800.628.0832  
 Technical Services Fax: 920.459.5462