



Outperform every day.™

Project:
Item Number:
Quantity:

FIVE WELL HOT MODULES



Five Well Hot Modules

DESCRIPTION

The modular drop-in is designed for top-mount installation and does not require hard-wiring.

Full-perimeter drip-edge contains spills and condensation within the stainless steel countertop area of the drop-in. Drip-edge adds additional strength to the flange area.

Drop-in meets NSF4 performance standards only when using moist heat. Operation with water is required for even heating of the food product.

High-density glass-fiber insulation allows zero-clearance installation.

Stainless steel wells allow use of full-size and fractional pans up to 6" (15.2 cm) deep while still providing moist heat. Adaptor bars are recommended when using fractional pans.

Item Numbers			Description	
Standard	Manifold	Manifold w/ Auto-Fill	Control	Voltage
1000 Watts Per Well				
3640801	3640851	3640861	Infinite	208-240
3640811	3640871	3640881	Thermostatic	
625 Watts Per Well				
36408	3640850	3640860	Infinite	208
3640810	3640870	3640880	Thermostatic	
36475	3647550	3647560	Infinite	240
3647510	3647570	3647580	Thermostatic	

FEATURES

- Top is 18-gauge stainless steel
- Breaker gasket included for installation under drip-edge
- Flat work surface around opening
- Deep drawn well is 20-gauge stainless steel
- Power indicator light
- Infinite or thermostatic control.
- Power indicator light.
- Standard drain is ½" (1.3 cm) stainless steel fitting welded to pan with ball valve shutoff below exterior housing
- Manifold drain option is 1" (2.5 cm) copper tubing and retains individual well shut-off and adds manifold shutoff.
- Auto-fill eliminates the need to monitor wells and add water, reducing operating and labor costs. Attaches easily to manifold drain assembly using simple tools. The check valve/siphon prevents cross contamination of drain and potable water lines. Requires separate electrical service. See Auto-fill specification sheet for details.
- Unit insulated on sides, between wells, and below element assembly with high-density glass fiber insulation.
- Exterior housing is 20-gauge galvanized steel
- 6 ft (182.2 cm) cord with plug
- Positioning clips provided to center drop-in within cutout
- Standard mounting clips adjustable for up to 3" (7.6 cm) thick counters
- One-year parts and labor warranty

ACCESSORIES

- Sheet pan adapter available. Item No. 19186

WARRANTY: All models shown come with Vollrath's standard warranty against defects in materials and workmanship. For full warranty details, please refer to www.Vollrath.com.

Agency Listings



Due to continued product improvement, please consult www.vollrath.com for current product specifications.

Approvals	Date



Outperform every day.™
www.vollrath.com

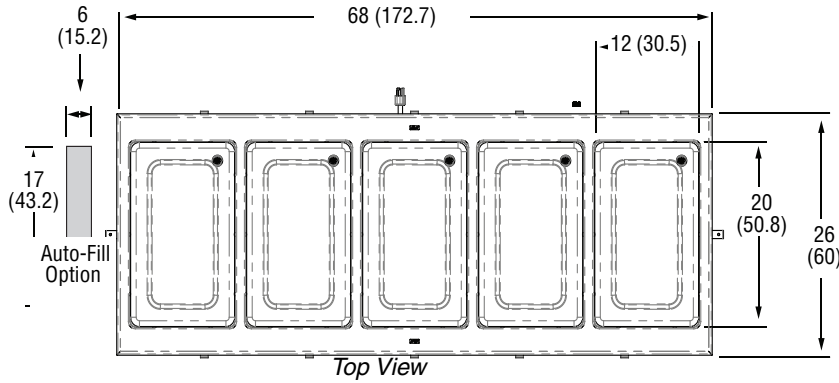
The Vollrath Company, L.L.C.
1236 North 18th Street
Sheboygan, WI 53081-3201 U.S.A.
Customer Service: 800.628.0830
Canada Customer Service: 800.695.8560
Main Fax: 800.752.5620 or 920.459.6573

Technical Services: 800.628.0832
Technical Services Fax: 920.459.5462

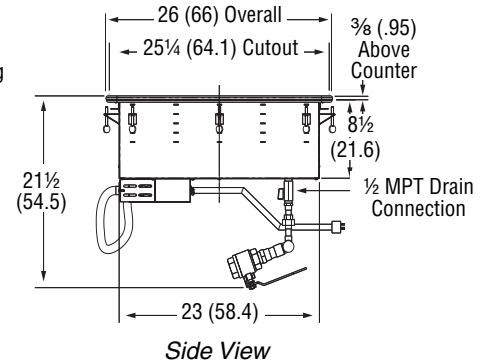
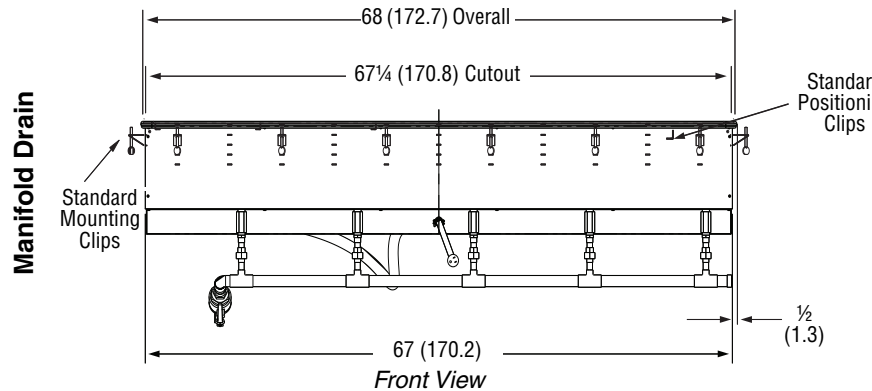
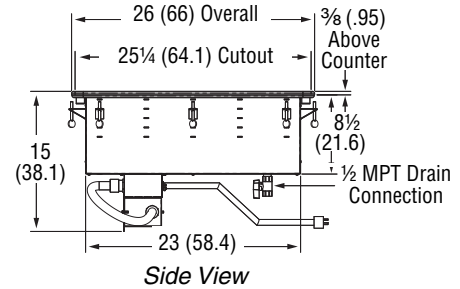
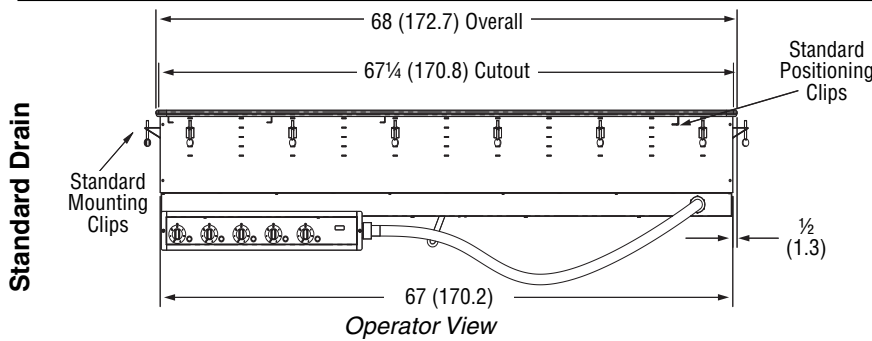
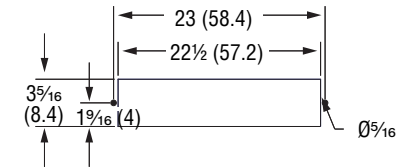
FIVE WELL HOT MODULES

DIMENSIONS (Shown in inches (cm))

Note: Cutout must have a 7/8" (2.2 cm) corner radius.



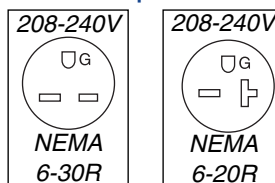
Control Panel Cutout



ELECTRICAL SPECIFICATIONS

Standard	Manifold	Manifold w/ Auto-Fill	Control	Voltage	Amps	Plug
1000 Watts Per Well						
3640801	3640851	3640861	Infinite	208-240	18-20.8	NEMA 6-30P
3640811	3640871	3640881	Thermostatic			
625 Watts Per Well						
36408	3640850	3640860	Infinite	208	15.0	NEMA 6-20P
3640810	3640870	3640880	Thermostatic			
36475	3647550	3647560	Infinite	240	13.0	
3647510	3647570	3647580	Thermostatic			

Receptacles



Outperform every day.™

www.vollrath.com

The Vollrath Company, L.L.C.
 1236 North 18th Street
 Sheboygan, WI 53081-3201 U.S.A.
 Customer Service: 800.628.0830
 Canada Customer Service: 800.695.8560
 Main Fax: 800.752.5620 or 920.459.6573

Technical Services: 800.628.0832
 Technical Services Fax: 920.459.5462