



# T&S BRASS AND BRONZE WORKS, INC.

2 Saddleback Cove / P.O. Box 1088  
Travelers Rest, SC 29690

Model No.

**EC-3122-HG**

Item No.

Travelers Rest, SC: 800-476-4103 • Simi Valley, CA: 800-423-0150 • Fax: 864-834-3518 • www.tsbrass.com

This Space for Architect/Engineer Approval

Job Name \_\_\_\_\_ Date \_\_\_\_\_

Model Specified \_\_\_\_\_ Quantity \_\_\_\_\_

Customer/Wholesaler \_\_\_\_\_

Contractor \_\_\_\_\_

Architect/Engineer \_\_\_\_\_



**ADA Compliant**



Optional DC Power  
w/ 4 "AA" Batteries  
Inside Housing

Internal Above  
Deck Electronics  
w/ Flow Control  
Setting Switches

19" [486mm] Long  
Flexible Stainless  
Steel Supply Hoses  
w/ 3/8" Compression  
(9/16-24 UN) Inlet  
Check Valves

Connection to  
Power Supply

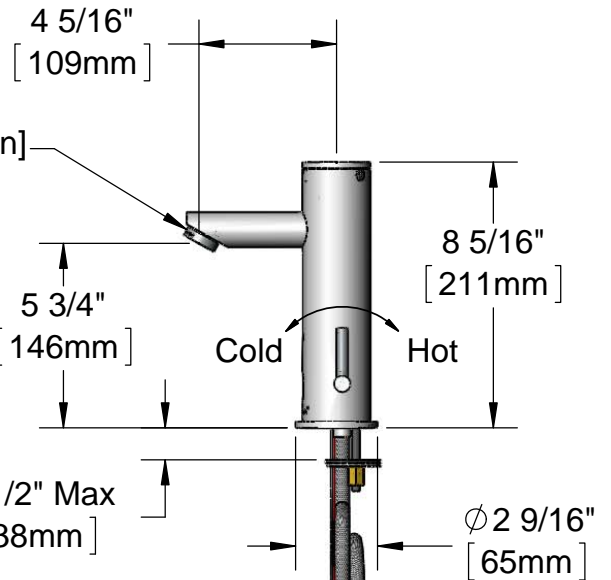
100-240 VAC Adapter  
w/ 144" [3658mm] Long  
Power Cord w/ 2  
Terminal Plugs (Included)

2.2 GPM [8.3 L/min]  
Vandal Resistant  
Aerator

Temperature  
Mixing Handle

Hydro-Generator  
Power Supply.  
No AA Batteries or  
AC Adapter Needed  
to Supply Power to  
Faucet

Connect Cold Supply  
Line Check Valve to  
Hydro-Generator  
1/2" NPSM Swivel



Rough-In:  $\phi$  1 1/2" [38mm] Center Hole

**Product Specifications:**

Chrome Plated Brass Above Deck Electronics Faucet, Single Hole Deck Mount, 2.2 GPM VR Aerator, Above Deck Temperature Control, Hydro-Generator Powered, Stainless Steel Flexible Supply Lines, 3/8" Compression Inlets

Drawn

**DMH**

Checked

**GEF**

Approved

**JHB**

Scale:

**1:6**

Date:

**12/22/11**



# T&S BRASS AND BRONZE WORKS, INC.

2 Saddleback Cove / P.O. Box 1088  
Travelers Rest, SC 29690

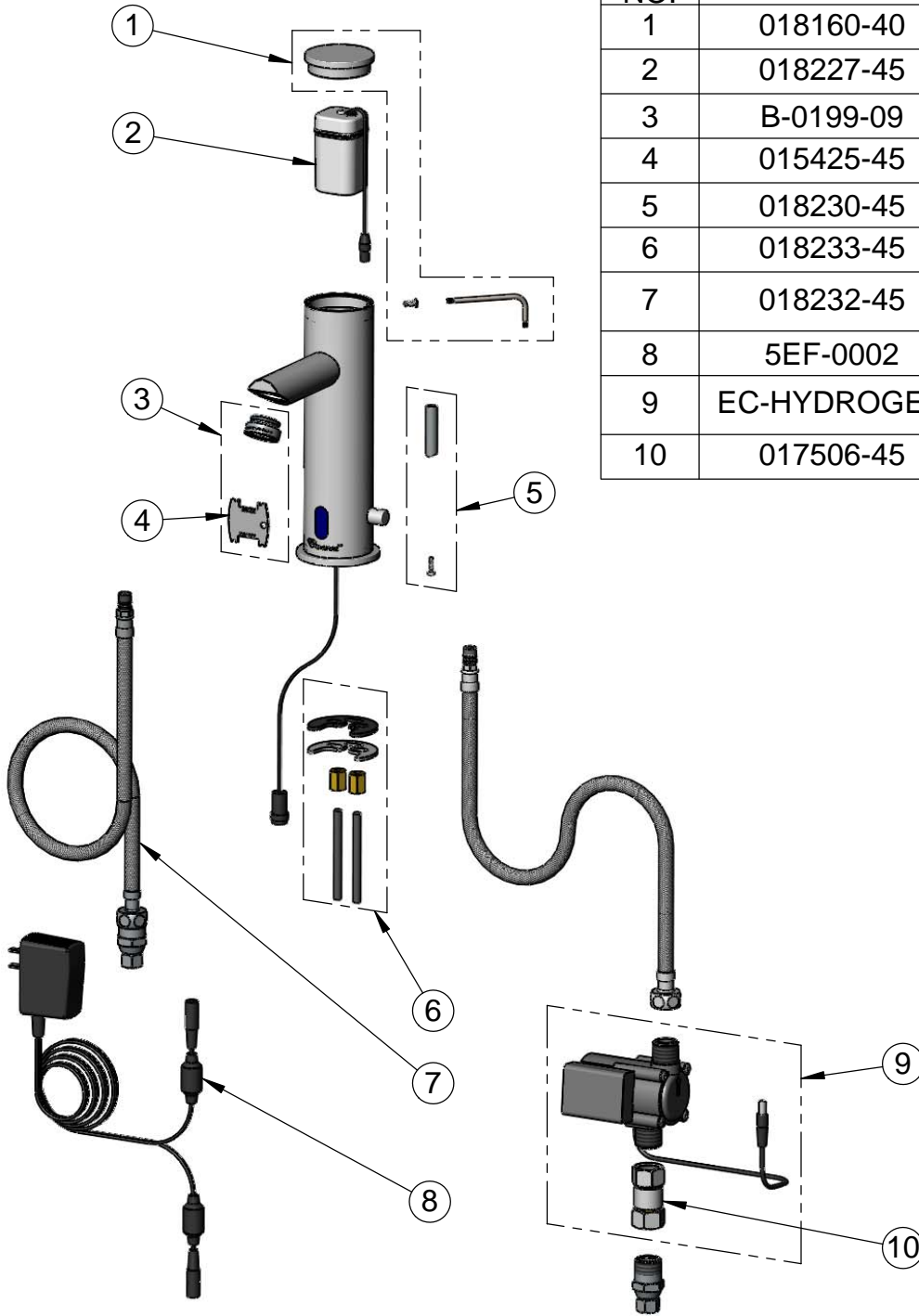
Model No.

**EC-3122-HG**

Item No.

Travelers Rest, SC: 800-476-4103 • Simi Valley, CA: 800-423-0150 • Fax: 864-834-3518 • www.tsbrass.com

ITEM NO.	SALES NO.	DESCRIPTION
1	018160-40	Cap, Screw & VR Wrench
2	018227-45	Battery Holder
3	B-0199-09	2.2 GPM VR Aerator
4	015425-45	Vandal Resistant Key
5	018230-45	Lever Handle w/ Screw
6	018233-45	Mounting Hardware Kit
7	018232-45	Flex Hose w/ Check Valve Adapter Assembly
8	5EF-0002	AC Transformer
9	EC-HYDROGEN	HydroGenerator Power Supply
10	017506-45	1/2" NPSM Swivel Coupling



**Product Specifications:**

Chrome Plated Brass Above Deck Electronics Faucet, Single Hole Deck Mount, 2.2 GPM VR Aerator, Above Deck Temperature Control, Hydro-Generator Powered, Stainless Steel Flexible Supply Lines, 3/8" Compression Inlets

Drawn	Checked	Approved
<b>DMH</b>	<b>GEF</b>	<b>JHB</b>
Scale:	Date:	
<b>NTS</b>	<b>12/22/11</b>	