



# T&S BRASS AND BRONZE WORKS, INC.

2 Saddleback Cove / P.O. Box 1088  
Travelers Rest, SC 29690

Model No.

**EC-3122-4DP**

Item No.

Travelers Rest, SC: 800-476-4103 • Simi Valley, CA: 800-423-0150 • Fax: 864-834-3518 • www.tsbrass.com

This Space for Architect/Engineer Approval

Job Name \_\_\_\_\_ Date \_\_\_\_\_

Model Specified \_\_\_\_\_ Quantity \_\_\_\_\_

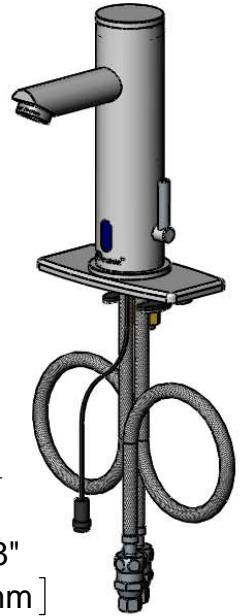
Customer/Wholesaler \_\_\_\_\_

Contractor \_\_\_\_\_

Architect/Engineer \_\_\_\_\_



**ADA Compliant**



DC Powered w/  
4 "AA" Batteries  
Inside Housing

Internal Above  
Deck Electronics  
w/ Flow Control  
Setting Switches

2.2 GPM [8.3 L/min]  
Vandal Resistant  
Aerator

Temperature  
Mixing Handle

4 5/16"  
[109mm]

6 1/16"  
[154mm]

8 5/8"  
[219mm]

Cold

Hot

6"  
[152mm]

1 1/4" Max. Deck  
[32mm]

3"  
[76mm]

19" [486mm] Long  
Flexible Stainless  
Steel Supply Hoses

3/8" Compression  
(9/16-24 UN) Inlets  
w/ Check Valves

Optional 100-240 VAC  
Adapter w/ 144" [3658mm]  
Long Power Cord w/ 2  
Terminal Plugs

**Rough-In:**

- Ø 1 1/2" [38mm] Center Hole
- (2) Ø 1 1/8 [29mm] Side Holes @ 4" [102mm] c/c

Product Specifications:  
Chrome Plated Brass Above Deck Electronics Faucet, Single Hole  
Deck Mount w/ 4" c/c Deck Plate, 2.2 GPM VR Aerator, Above  
Deck Temperature Control, Battery or AC Adapter Powered,  
Stainless Steel Flexible Supply Lines, 3/8" Compression Inlets

Drawn <b>DMH</b>	Checked <b>GEF</b>	Approved <b>JHB</b>
Scale: <b>1:6</b>		Date: <b>12/22/11</b>



# T&S BRASS AND BRONZE WORKS, INC.

2 Saddleback Cove / P.O. Box 1088

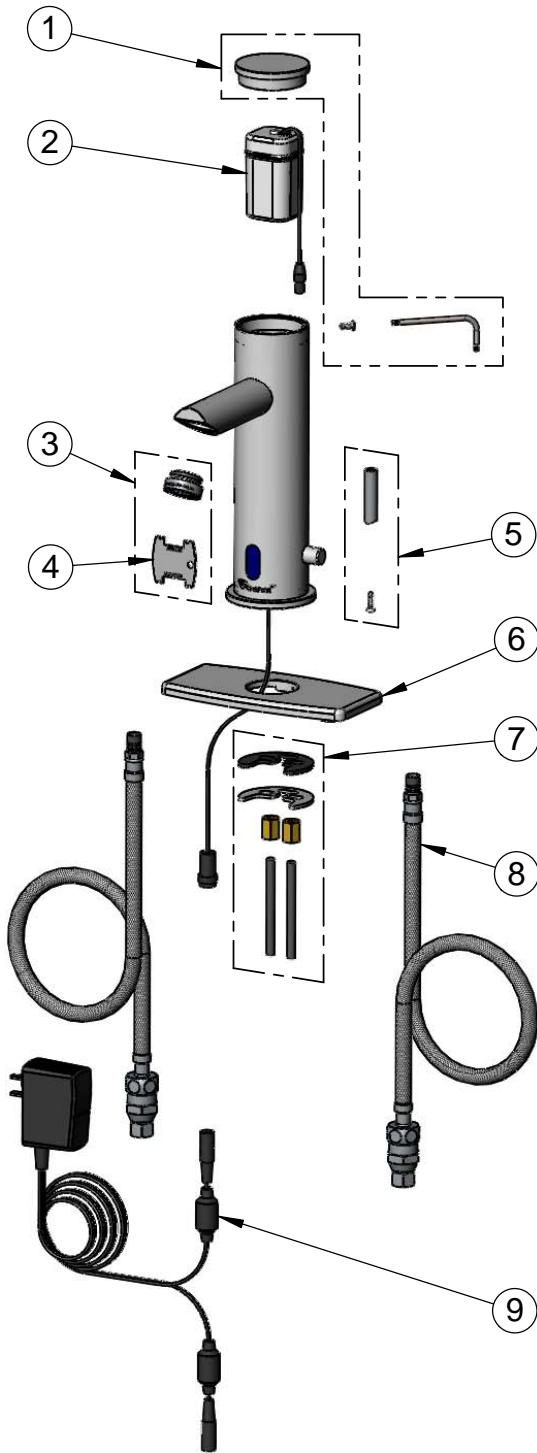
Travelers Rest, SC 29690

Model No.

**EC-3122-4DP**

Item No.

Travelers Rest, SC: 800-476-4103 • Simi Valley, CA: 800-423-0150 • Fax: 864-834-3518 • www.tsbrass.com



ITEM NO.	SALES NO.	DESCRIPTION
1	018160-40	Cap, Screw & VR Wrench
2	018227-45	Battery Holder
3	B-0199-09	2.2 GPM VR Aerator
4	015425-45	Vandal Resistant Key
5	018230-45	Lever Handle w/ Screw
6	018282-40	4" Forged Deck Plate, $\phi$ 1 1/2" Hole
7	018233-45	Mounting Hardware Kit
8	018232-45	Flex Hose w/ Check Valve Adapter Assembly
9	5EF-0002	AC Transformer

**Product Specifications:**

Chrome Plated Brass Above Deck Electronics Faucet, Single Hole Deck Mount w/ 4" c/c Deck Plate , 2.2 GPM VR Aerator, Above Deck Temperature Control, Battery or AC Adapter Powered, Stainless Steel Flexible Supply Lines, 3/8" Compression Inlets

Drawn

**DMH**

Checked

**GEF**

Approved

**JHB**

Scale:

**NTS**

Date:

**12/22/11**