



T&S BRASS AND BRONZE WORKS, INC.

2 Saddleback Cove / P.O. Box 1088
Travelers Rest, SC 29690



REG. #A2601
ISO #9001

Model No.

B-0808

Item No.

Travelers Rest, SC: 800-476-4103 Simi Valley, CA: 800-423-0150 Fax: 864-834-3518 www.tsbrass.com

This Space for Architect/Engineer Approval

Job Name _____ Date _____

Model Specified _____ Quantity _____

Customer/Wholesaler _____

Contractor _____

Architect/Engineer _____



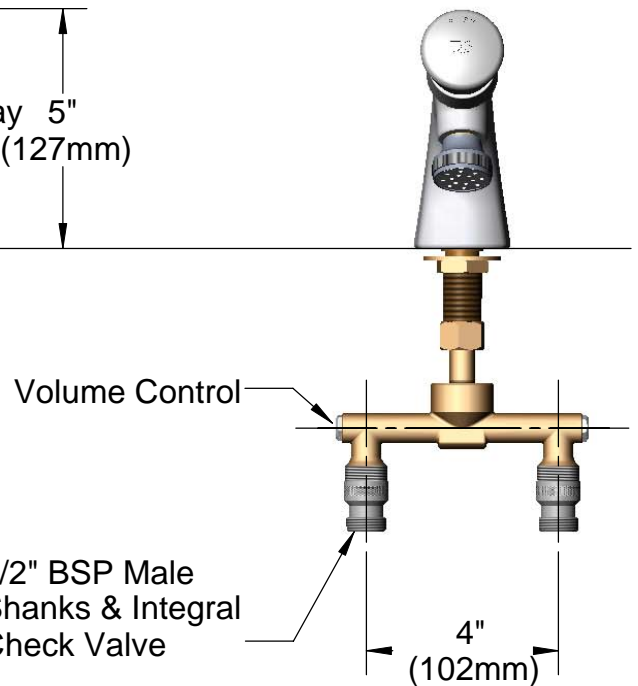
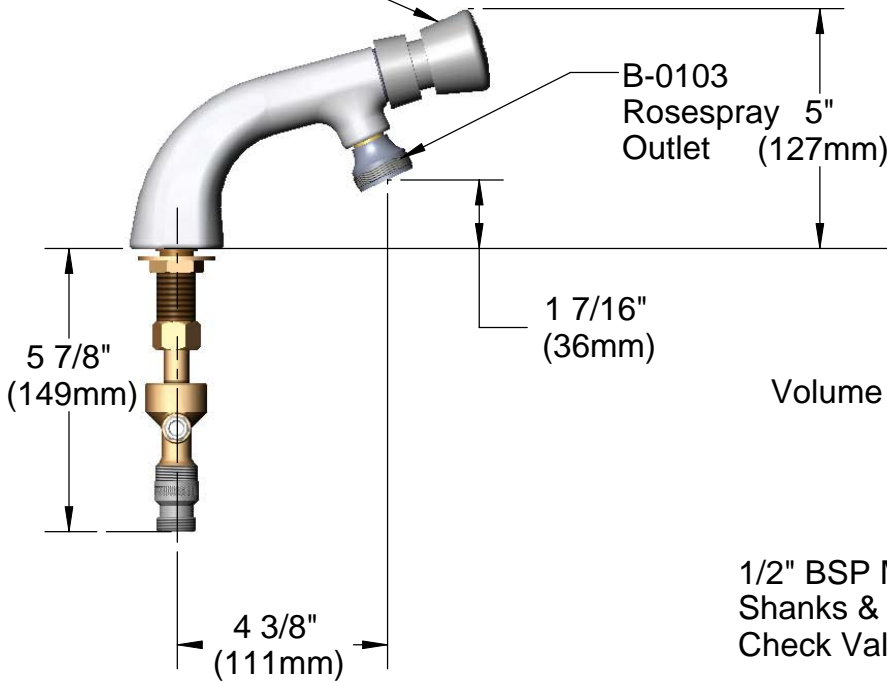
ADA Compliant



Furnished w/ 014734-45 Spanner Bit to Access Metering. (Metering Adjustment Requires 3/32" Hex Key)



Push Button
Metering
Cartridge
w/ Push Button
Cap.



Rough-In: ϕ 1" Hole

Product Specifications:

Single Temperature Deck Mount Faucet w/
Undercounter Spreader Assembly, Check Valves,
Push Button Metering Cartridge, Rosespray Outlet

Drawn DMH	Checked GEF	Approved JHB
Scale: 1:4		Date: 10/03/08



T&S BRASS AND BRONZE WORKS, INC.

2 Saddleback Cove / P.O. Box 1088
Travelers Rest, SC 29690



REG. #A2601
ISO #9001

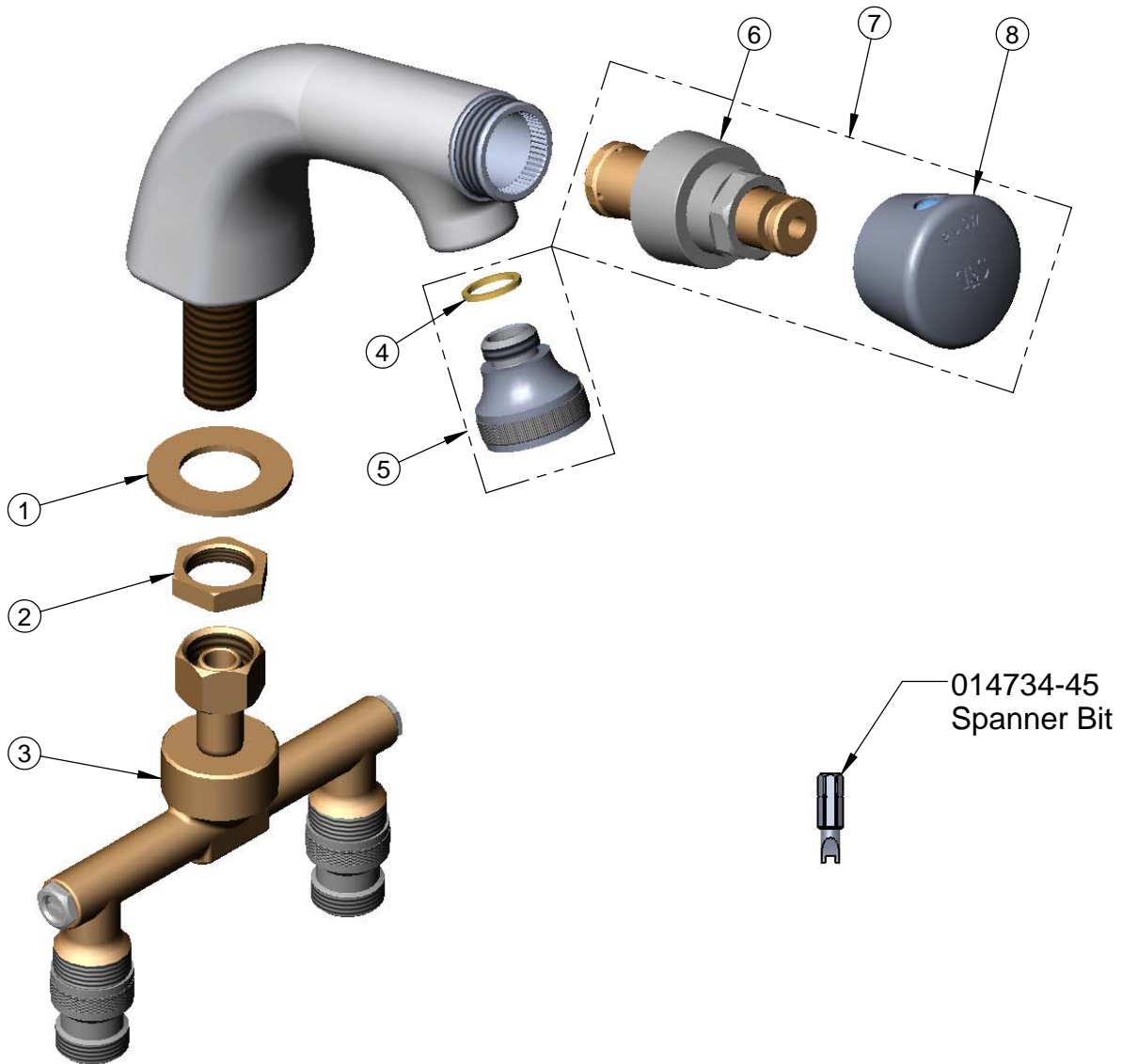
Model No.

B-0808

Item No.

Travelers Rest, SC: 800-476-4103 Simi Valley, CA: 800-423-0150 Fax: 864-834-3518 www.tsbrass.com

ITEM NO.	SALES NO.	DESCRIPTION
1	000999-45	Brass Lock Washer
2	002954-45	Shank Lock Nut
3	002899-40	B-0173 Spreader
4	001043-45	Washer
5	B-0103	Spray Head Assembly
6	238A	Push Button Metering Cartridge
7	238AB	Push Button Metering Cartridge w/ Push Button Cap
8	014193-40	Blank Push Cap Asm



Product Specifications:

Single Temperature Deck Mount Faucet w/
Undercounter Spreader Assembly, Check Valves,
Push Button Metering Cartridge, Rosespray Outlet

Drawn DMH	Checked GEF	Approved JHB
Scale: 1:2		Date: 10/03/08