



T&S BRASS AND BRONZE WORKS, INC.
 2 Saddleback Cove / P.O. Box 1088
 Travelers Rest, SC 29690

Model No.
B-0807-WS

Item No.

Travelers Rest, SC: 800-476-4103 • Simi Valley, CA: 800-423-0150 • Fax: 864-834-3518 • www.tsbrass.com



ADA Compliant

This Space for Architect/Engineer Approval

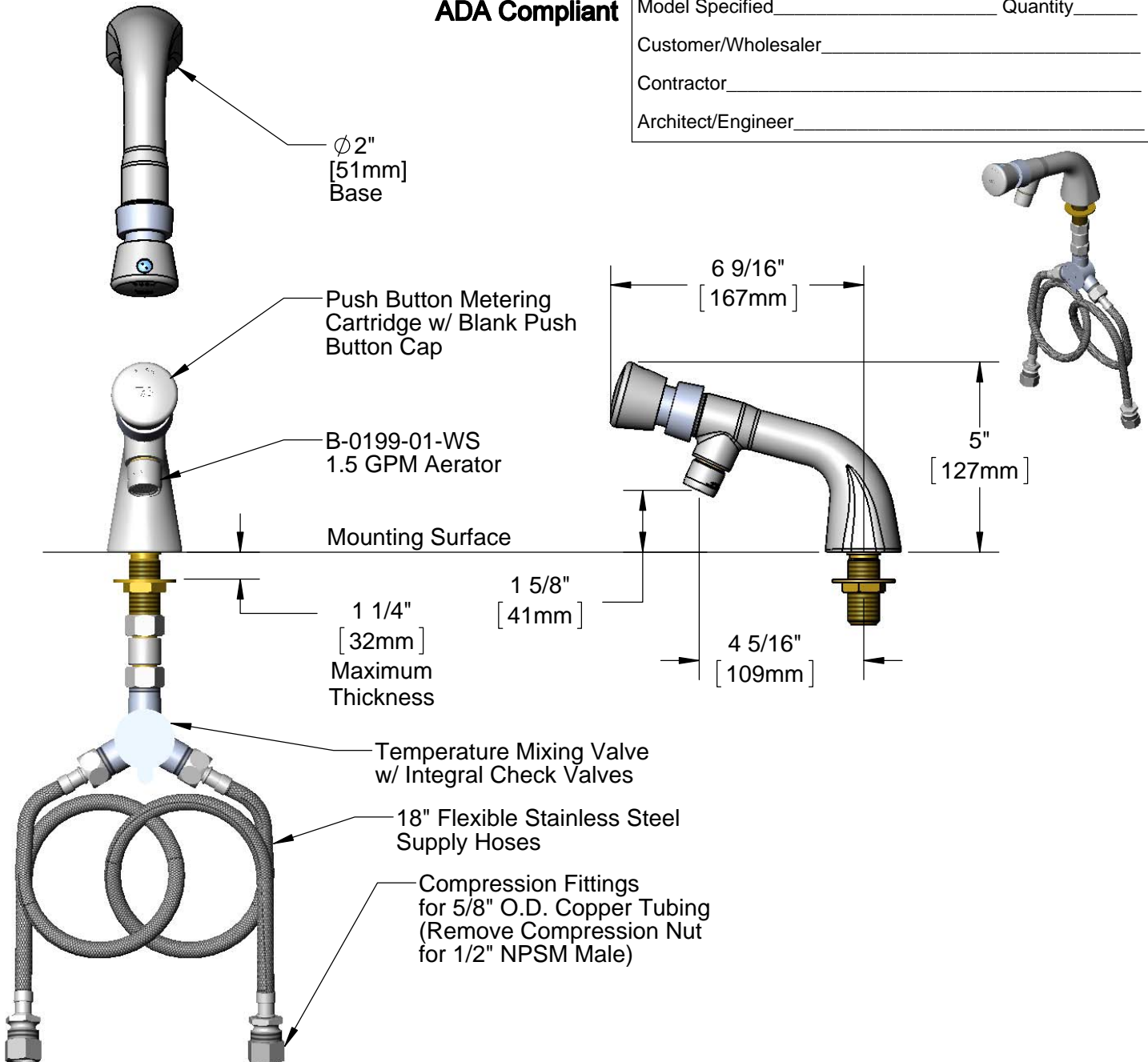
Job Name _____ Date _____

Model Specified _____ Quantity _____

Customer/Wholesaler _____

Contractor _____

Architect/Engineer _____



Rough-In Requirement:
 $\phi 1"$ [25mm] Mounting Hole

Product Specifications:
 Single Temperature Deck Mount Faucet, Push Button Metering Cartridge, Push Button Cap, 1.5 GPM Aerator, Temperature Control Mixing Valve w/ Check Valves & 18" Flexible Stainless Steel Supply Hoses w/ $\frac{1}{2}"$ NPSM Male Inlets

Product Compliance:
 ASME A112.18.1 / CSA B125.1
 NSF 61 - Section 9
 NSF 372 (Low Lead Content)
 ANSI A117.1 (ADA)

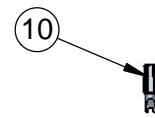
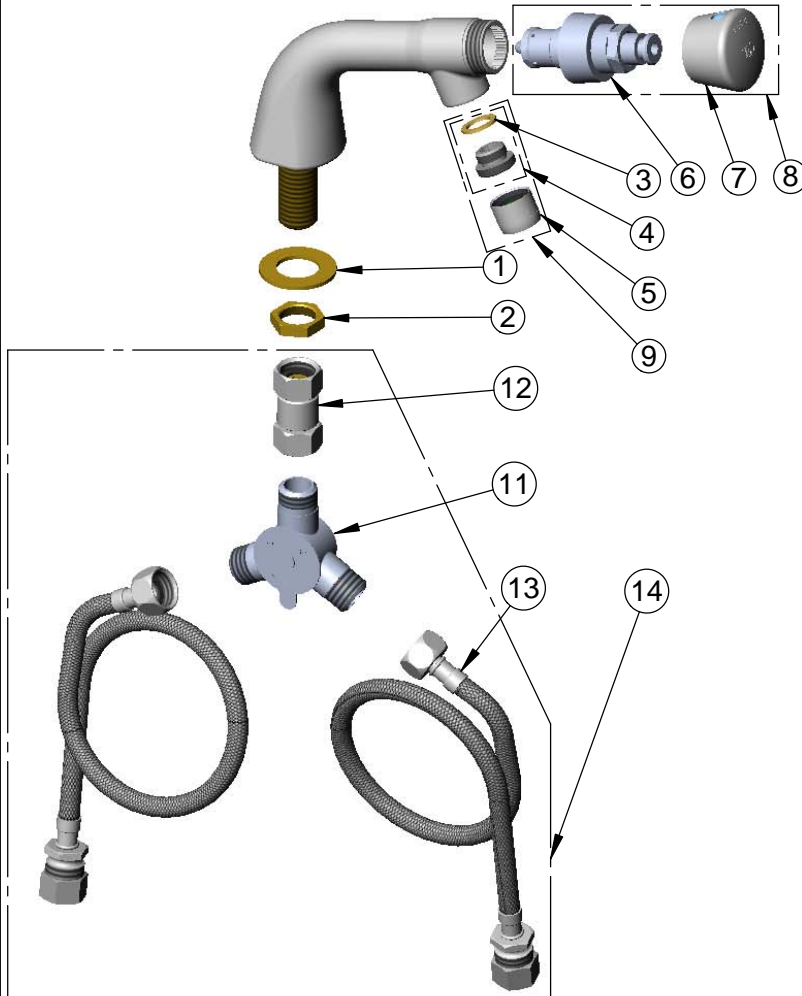


T&S BRASS AND BRONZE WORKS, INC.
 2 Saddleback Cove / P.O. Box 1088
 Travelers Rest, SC 29690

Model No.
B-0807-WS
 Item No.

Travelers Rest, SC: 800-476-4103 • Simi Valley, CA: 800-423-0150 • Fax: 864-834-3518 • www.tsbrass.com

ITEM NO.	SALES NO.	DESCRIPTION
1	000999-45	Brass Lock Washer
2	002954-45	Shank Lock Nut
3	001043-45	Washer
4	044A	3/8" to Aerator Adapter
5	B-0199-01-WS	1.5 GPM Aerator, 55/64-27 Female
6	238A	Push Button Metering Cartridge
7	014193-40	Blank Push Cap Asm
8	238AB	Push Button Metering Cartridge w/ Push Button Cap
9	B-0199-02-WS	1.5 GPM Female Aerator, Adapter & Washer
10	014734-45	Spanner Bit
11	5EF-0006	Mechanical Mixing Valve
12	017506-45	1/2" NPSM Swivel Coupling
13	019192-45	Flexible Connector Hose (2)
14	019321-40	Temperature Control Mixing Valve w/ Flexible 1/2" NPSM Male Inlets



Product Specifications:
 Single Temperature Deck Mount Faucet, Push Button Metering Cartridge, Push Button Cap, 1.5 GPM Aerator, Temperature Control Mixing Valve w/ Check Valves & 18" Flexible Stainless Steel Supply Hoses w/ 1/2" NPSM Male Inlets

Product Compliance:
 ASME A112.18.1 / CSA B125.1
 NSF 61 - Section 9
 NSF 372 (Low Lead Content)
 ANSI A117.1 (ADA)