



T&S BRASS AND BRONZE WORKS, INC.

2 Saddleback Cove / P.O. Box 1088
Travelers Rest, SC 29690



REG. #A2601
ISO #9001

Model No.

B-0807-PA

Item No.

Travelers Rest, SC: 800-476-4103 Simi Valley, CA: 800-423-0150 Fax: 864-834-3518 www.tsbrass.com

This Space for Architect/Engineer Approval

Job Name _____ Date _____

Model Specified _____ Quantity _____

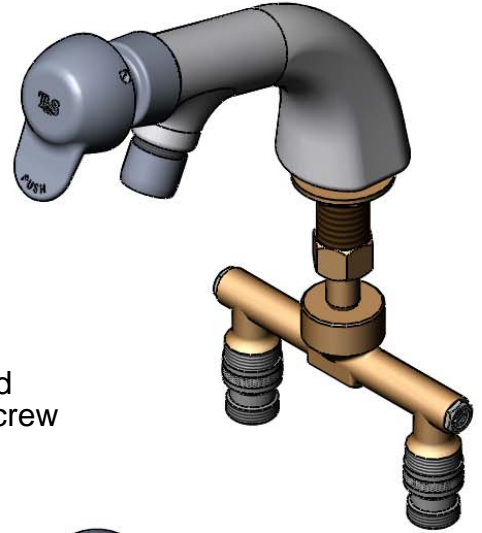
Customer/Wholesaler _____

Contractor _____

Architect/Engineer _____

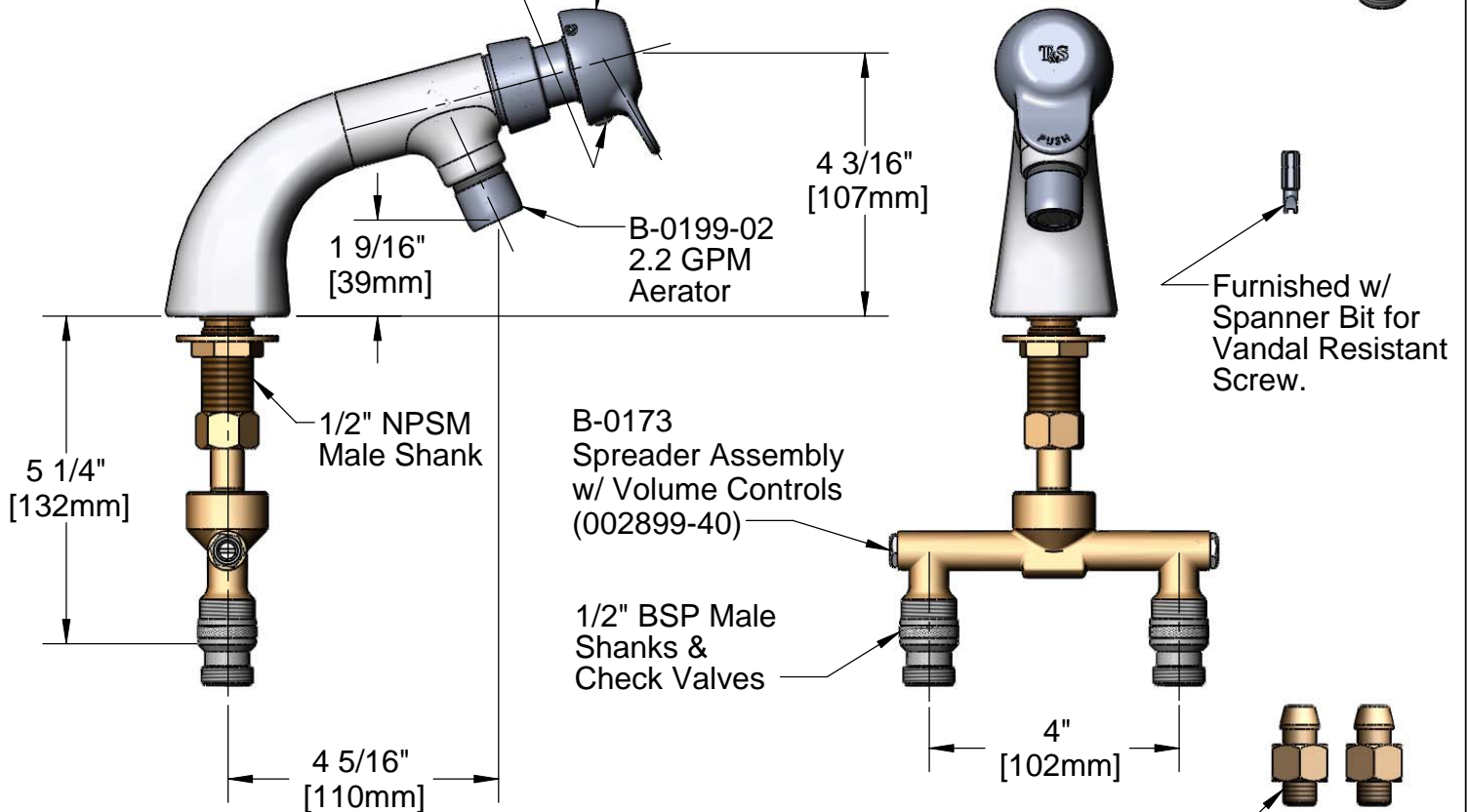


ADA Compliant



Vandal Resistant Screw.
Loosen Screw (Do Not
Remove) and Flip Handle
Up to Access Metering
Adjustment.
(Metering Adjustment
Requires 3/32" Hex Key)

238AB-PA
Pivot Action
Metering Cartridge
w/ Blank Handle and
Vandal Resistant Screw



Rough-In: ϕ 1" Hole

Furnished w/ (2) Tailpieces and Nuts
for Optional 1/4" NPT Connection

Product Specifications:

Single Temperature Deck Mount Faucet w/ Undercounter
Spreader Assembly, Check Valves, Pivot Action Metering
Cartridge and 2.2 GPM Aerator

Drawn DMH	Checked GEF	Approved JHB
Scale: NTS		Date: 10/03/08



T&S BRASS AND BRONZE WORKS, INC.

2 Saddleback Cove / P.O. Box 1088
Travelers Rest, SC 29690



REG. #A2601
ISO #9001

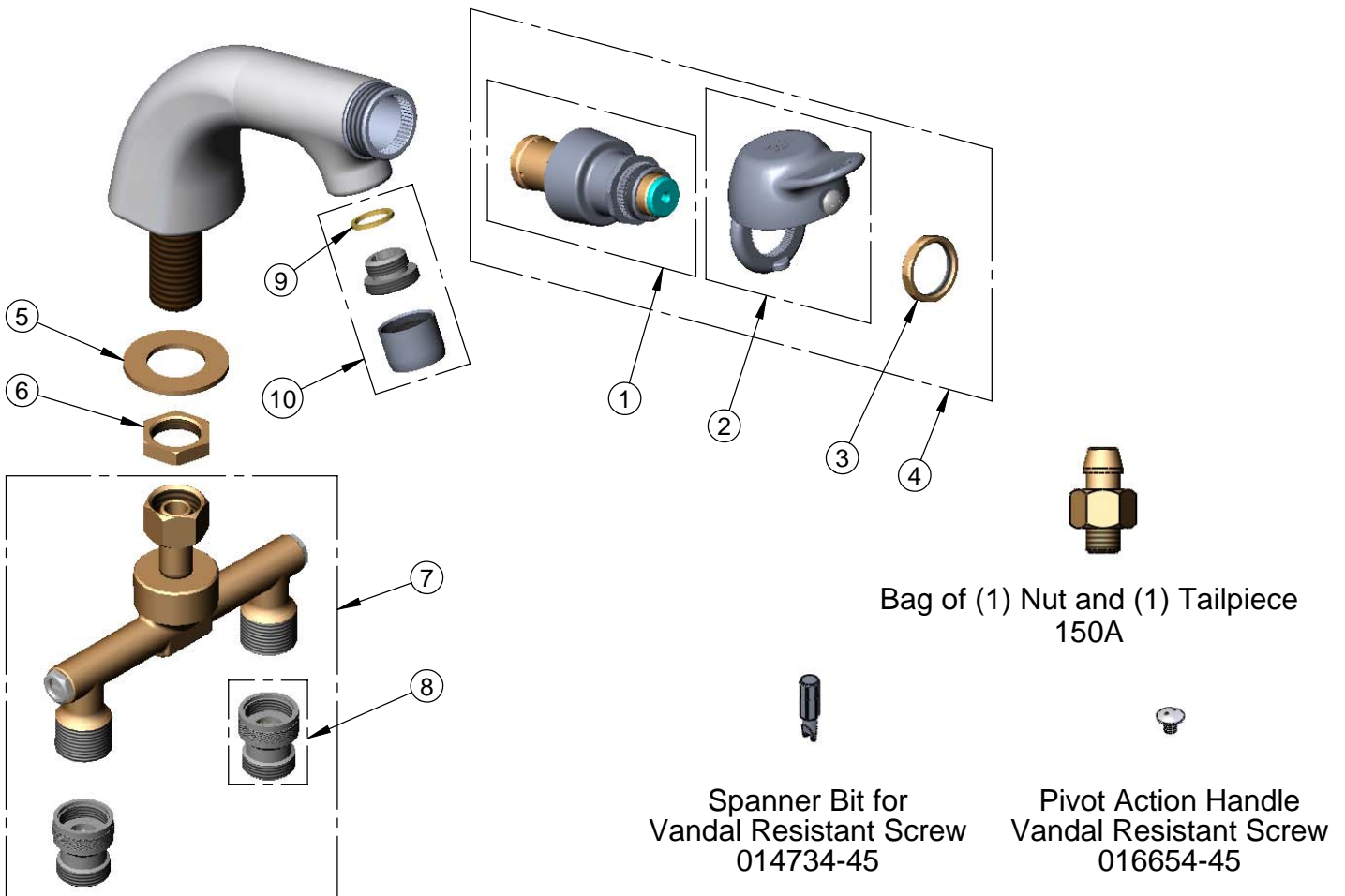
Model No.

B-0807-PA

Item No.

Travelers Rest, SC: 800-476-4103 Simi Valley, CA: 800-423-0150 Fax: 864-834-3518 www.tsbrass.com

ITEM NO.	SALES NO.	DESCRIPTION
1	238A-PA	Pivot Action Metering Cartridge w/ Retaining Nut
2	PA-B	Blank Pivot Action Handle Assembly w/ Retaining Nut and Spanner Bit
3	PA-N	Retaining Nut
4	238AB-PA	Pivot Action Metering Cartridge w/ Blank Pivot Action Handle, Retaining Nut and Spanner Bit
5	000999-45	Brass Lock Washer
6	002954-45	Shank Lock Nut
7	002899-40	B-0173 Spreader
8	010321-45	Check Valve Assembly
9	001043-45	Washer
10	B-0199-02	Aerator Assembly



Product Specifications:

Single Temperature Deck Mount Faucet w/ Undercounter Spreader Assembly, Check Valves, Pivot Action Metering Cartridge and 2.2 GPM Aerator

Drawn DMH	Checked GEF	Approved JHB
Scale: NTS		Date: 10/03/08