



T&S BRASS AND BRONZE WORKS, INC.

2 Saddleback Cove / P.O. Box 1088
Travelers Rest, SC 29690



REG. #A2601
ISO #9001

Model No.

B-0806

Item No.

Travelers Rest, SC: 800-476-4103 Simi Valley, CA: 800-423-0150 Fax: 864-834-3518 www.tsbrass.com

This Space for Architect/Engineer Approval

Job Name _____ Date _____

Model Specified _____ Quantity _____

Customer/Wholesaler _____

Contractor _____

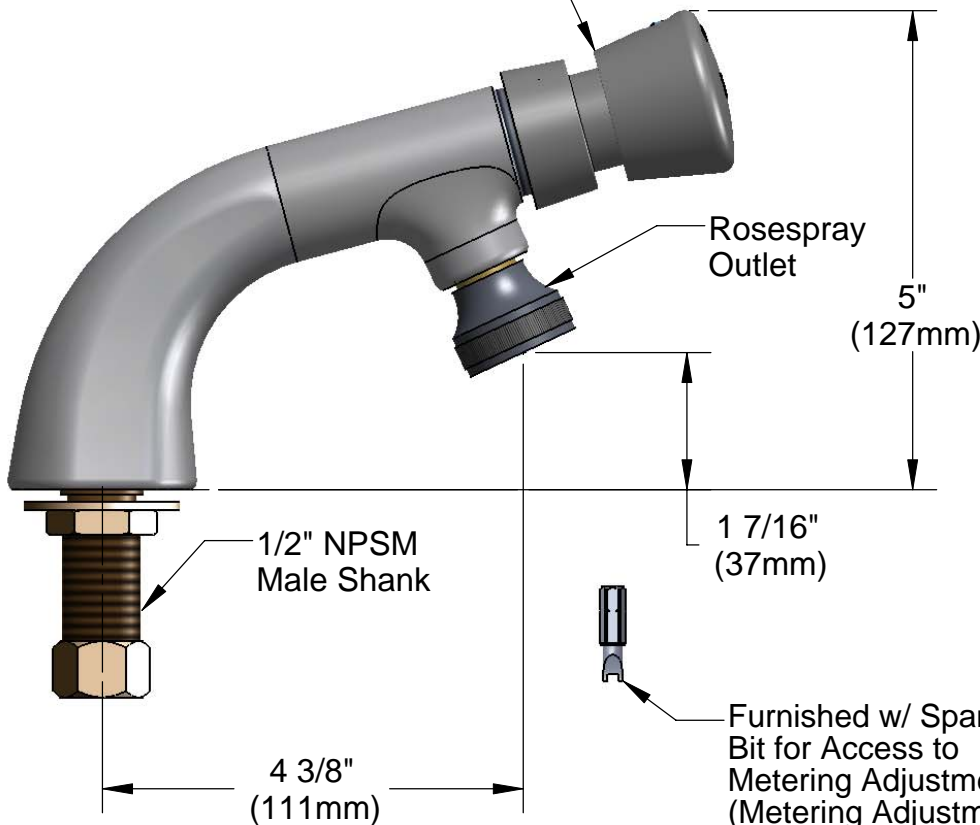
Architect/Engineer _____



ADA Compliant



Push Button Metering Cartridge



Furnished w/ Spanner Bit for Access to Metering Adjustment (Metering Adjustment Requires 3/32" Hex Key)

Rough-in: ϕ 1" Hole

Product Specifications:

Single Temperature Deck Mount Faucet, 1/2" NPSM Male Shank, Push Button Metering Cartridge, and Rosespray Outlet

Drawn DMH	Checked GEF	Approved JHB
Scale: 1:2		Date: 10/03/08



T&S BRASS AND BRONZE WORKS, INC.

2 Saddleback Cove / P.O. Box 1088
Travelers Rest, SC 29690



REG. #A2601
ISO #9001

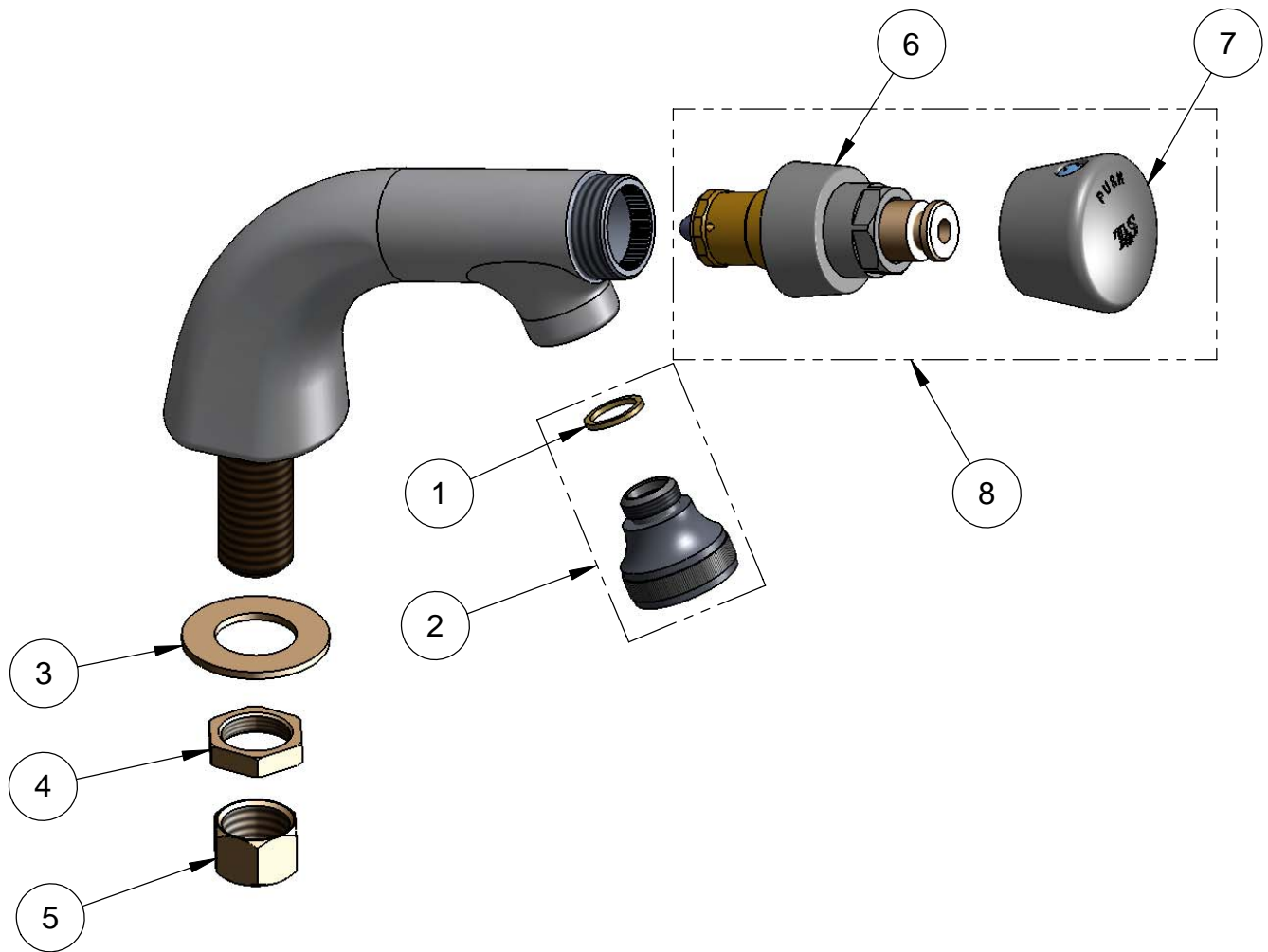
Model No.

B-0806

Item No.

Travelers Rest, SC: 800-476-4103 Simi Valley, CA: 800-423-0150 Fax: 864-834-3518 www.tsbrass.com

ITEM NO.	SALES NO.	DESCRIPTION
1	001043-45	Washer
2	B-0103	Rosespray
3	000999-45	Brass Lock Washer
4	002954-45	Shank Lock Nut
5	000958-20	Coupling Nut
6	238A	Push Button Metering Ctg.
7	014193-40	Push Button Cap Asm.
8	238AB	Metering Cartridge w/ Blank Push Button Assembly



Product Specifications:

Single Temperature Deck Mount Faucet, 1/2" NPSM Male Shank, Push Button Metering Cartridge, and Rosespray Outlet

Drawn DMH	Checked GEF	Approved JHB
Scale: 1:2		Date: 10/03/08