



T&S BRASS AND BRONZE WORKS, INC.

2 Saddleback Cove / P.O. Box 1088
Travelers Rest, SC 29690

Model No.

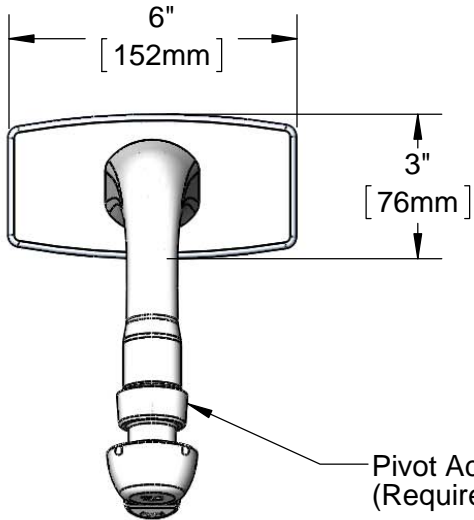
B-0805-VR-PA

Item No.

Travelers Rest, SC: 800-476-4103 • Simi Valley, CA: 800-423-0150 • Fax: 864-834-3518 • www.tsbrass.com



ADA Compliant



Pivot Action Metering Cartridge
(Requires 3/32" Hex Key for Adjustment)

This Space for Architect/Engineer Approval

Job Name _____ Date _____

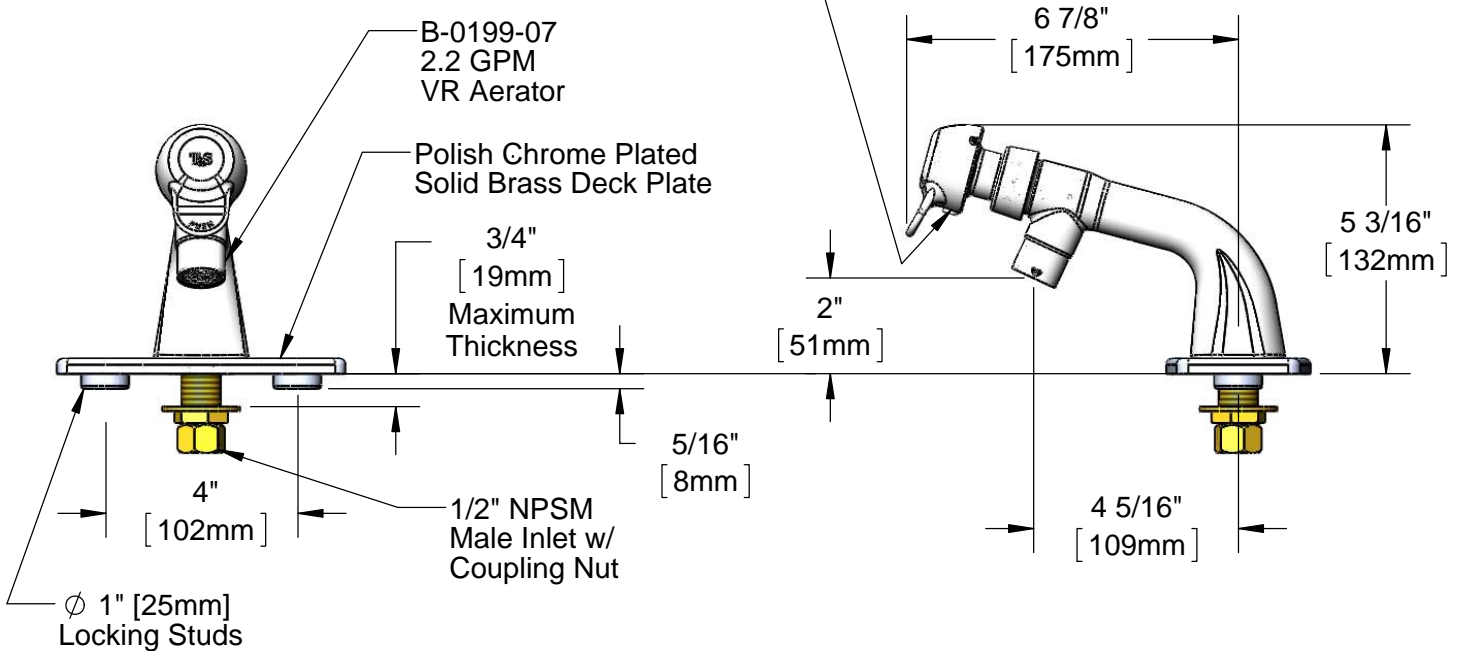
Model Specified _____ Quantity _____

Customer/Wholesaler _____

Contractor _____

Architect/Engineer _____

Loosen Vandal Resistant
Screw (Do Not Remove)
and Flip Handle Up to
Access Metering Adjustment



Rough-In Requirement:
Center Shank- ϕ 1 1/4" [25mm] Mounting Hole
Posts-(2) ϕ 1 1/8" [29mm] Mounting Holes

Product Specifications:
Single Temperature Metering Faucet w/ 1/2" NPSM Male
Shank, Pivot Action Metering Cartridge, 2.2 GPM
VR Aerator and Chrome Plated Forged VR Deck Plate

Drawn KJG	Checked DHL	Approved JHB
Scale: 1:4		Date: 03/18/13



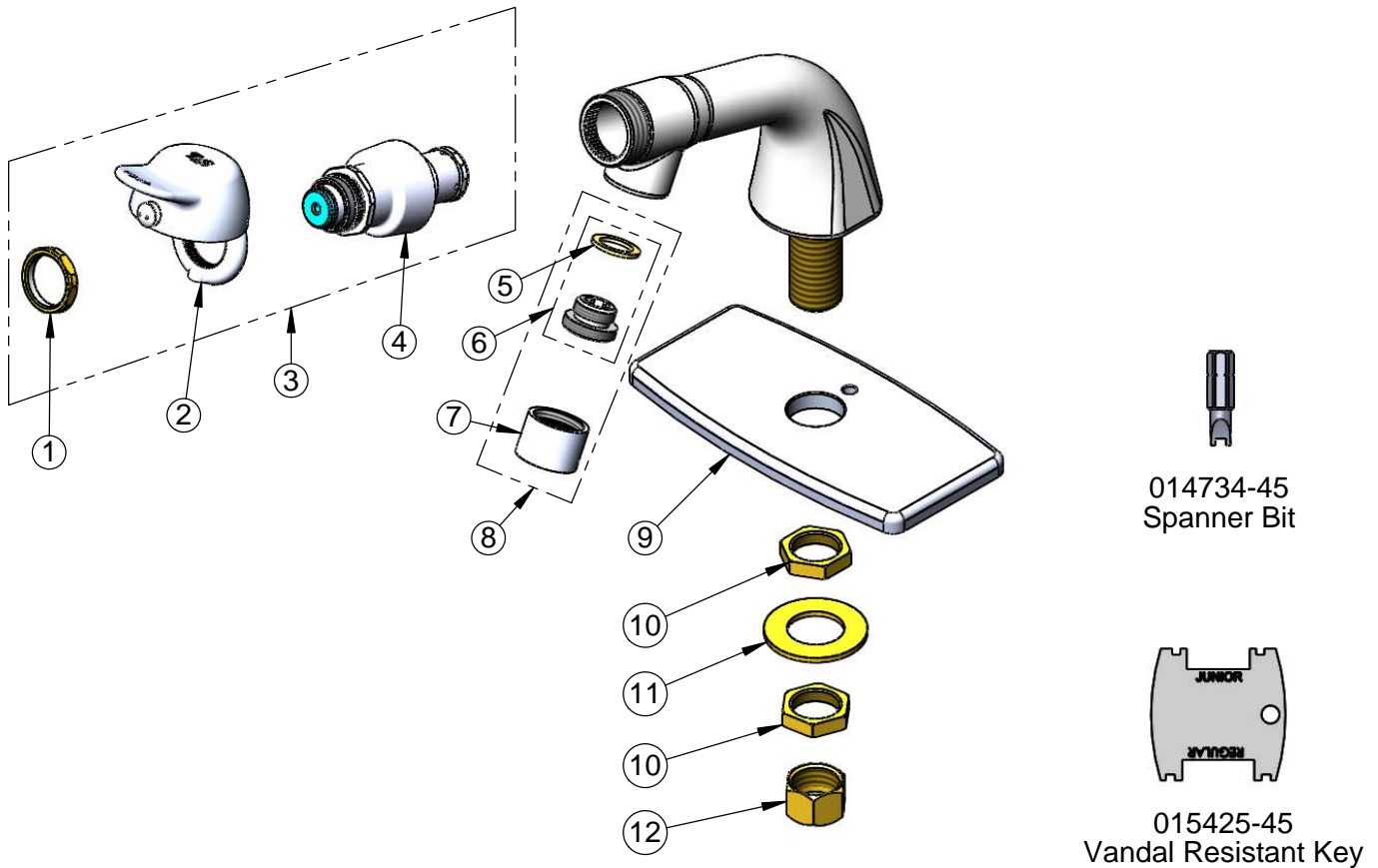
T&S BRASS AND BRONZE WORKS, INC.
 2 Saddleback Cove / P.O. Box 1088
 Travelers Rest, SC 29690

Model No.
B-0805-VR-PA

Item No.

Travelers Rest, SC: 800-476-4103 • Simi Valley, CA: 800-423-0150 • Fax: 864-834-3518 • www.tsbrass.com

ITEM NO.	SALES NO.	DESCRIPTION
1	PA-N	Retaining Nut
2	PA-B	Blank Pivot Action Handle w/ Retaining Nut & Spanner Bit
3	238AB-PA	Pivot Action Metering Cartridge w/ Blank PA Handle & Spanner Bit
4	238A-PA	Pivot Action Metering Cartridge w/ Retaining Nut
5	001043-45	Washer
6	044A	3/8" to Aerator Adapter
7	B-0199-06	VR 2.2 GPM Aerator, 55/64"-27 UN Female w/ Key
8	B-0199-07	VR 2.2 GPM Aerator, 3/8" NPSM Male w/ Key
9	013657-40	Forged Deck Plate
10	002954-45	Shank Lock Nut
11	000999-45	Brass Lock Washer
12	000958-20	Coupling Nut



Product Specifications:
 Single Temperature Metering Faucet w/ 1/2" NPSM Male
 Shank, Pivot Action Metering Cartridge, 2.2 GPM
 VR Aerator and Chrome Plated Forged VR Deck Plate

Drawn KJG	Checked DHL	Approved JHB
Scale: NTS		Date: 03/18/13