



T&S BRASS AND BRONZE WORKS, INC.

2 Saddleback Cove / P.O. Box 1088
Travelers Rest, SC 29690

Model No.

B-0805-DP

Item No.

Travelers Rest, SC: 800-476-4103 • Simi Valley, CA: 800-423-0150 • Fax: 864-834-3518 • www.tsbrass.com

This Space for Architect/Engineer Approval

Job Name _____ Date _____

Model Specified _____ Quantity _____

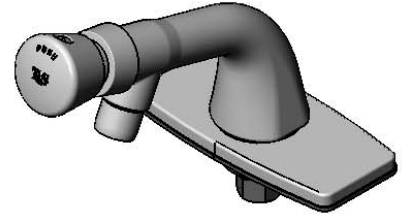
Customer/Wholesaler _____

Contractor _____

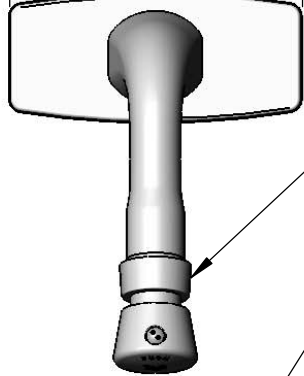
Architect/Engineer _____



ADA Compliant



6 1/8"
[155mm]



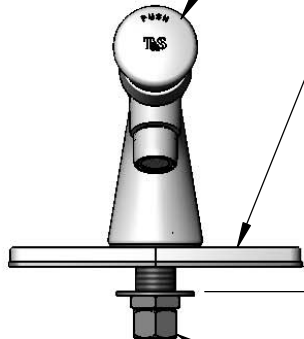
Metering Cartridge
(Requires 3/32" Hex Key for Adjustment)

Blank Push Button Cap

Polished Chrome Cover Plate w/
Deck Gasket

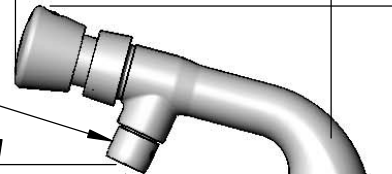
B-0199-02
2.2 GPM Aerator

1/2"
[13mm]
Maximum
Thickness



Mounting
Surface

6 9/16"
[167mm]



5 7/16"
[138mm]

2 1/8"
[54mm]

2 3/4"
[69mm]

1/2" NPSM
Male Inlet w/
Coupling Nut

4 5/16"
[109mm]

Rough-In Requirement:
Ø 1" [25mm] Mounting Hole

Product Specifications:
Single Temperature Deck Mount Faucet, Push Button Metering Cartridge, 2.2 GPM Aerator & Polished Chrome Cover Plate & 1/2" NPSM Male Inlet

Drawn

KJG

Checked

DHL

Approved

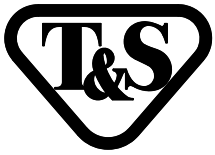
JHB

Scale:

1:4

Date:

01/28/13



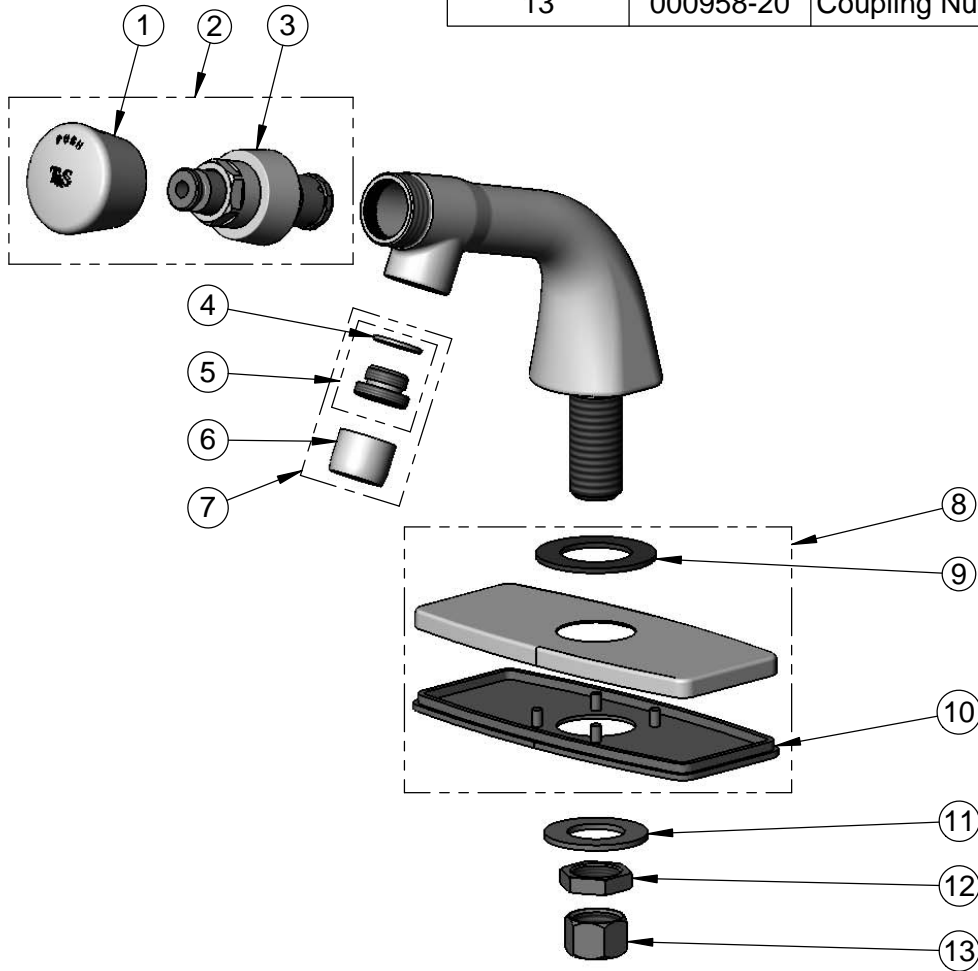
T&S BRASS AND BRONZE WORKS, INC.
 2 Saddleback Cove / P.O. Box 1088
 Travelers Rest, SC 29690

Model No.
B-0805-DP

Item No.

Travelers Rest, SC: 800-476-4103 • Simi Valley, CA: 800-423-0150 • Fax: 864-834-3518 • www.tsbrass.com

ITEM NO.	SALES NO.	DESCRIPTION
1	014193-40	Blank Push Button Cap w/ Spanner Bit
2	238AB	238A Metering Cartridge w/ Blank Push Button Cap
3	238A	Push Button Metering Cartridge
4	001043-45	Washer
5	044A	3/8" to Aerator Adapter
6	B-0199-01	2.2 GPM Aerator, 55/64-27 Female
7	B-0199-02	2.2 GPM Aerator, 3/8" NPSM Male
8	009345-45	Cover Plate w/ Gasket & Seal
9	014612-45	Deck Seal
10	018259-45	Gasket, 4" c/c Cover Plate
11	000999-45	Brass Lock Washer
12	002954-45	Shank Lock Nut
13	000958-20	Coupling Nut



014734-45
 Spanner Bit for
 Vandal Resistant Screw

Product Specifications:
 Single Temperature Deck Mount Faucet, Push Button Metering
 Cartridge, 2.2 GPM Aerator & Polished Chrome Cover Plate &
 1/2" NPSM Male Inlet

Drawn KJG	Checked DHL	Approved JHB
Scale: NTS		Date: 01/28/13