



**T&S BRASS AND BRONZE WORKS, INC.**

2 Saddleback Cove / P.O. Box 1088  
Travelers Rest, SC 29690

Model No.

**B-0712-ESC**

Item No.

Travelers Rest, SC: 800-476-4103 • Simi Valley, CA: 800-423-0150 • Fax: 864-834-3518 • www.tsbrass.com

This Space for Architect/Engineer Approval

Job Name \_\_\_\_\_ Date \_\_\_\_\_

Model Specified \_\_\_\_\_ Quantity \_\_\_\_\_

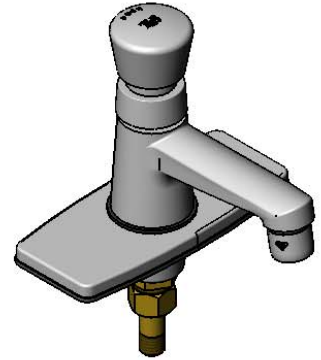
Customer/Wholesaler \_\_\_\_\_

Contractor \_\_\_\_\_

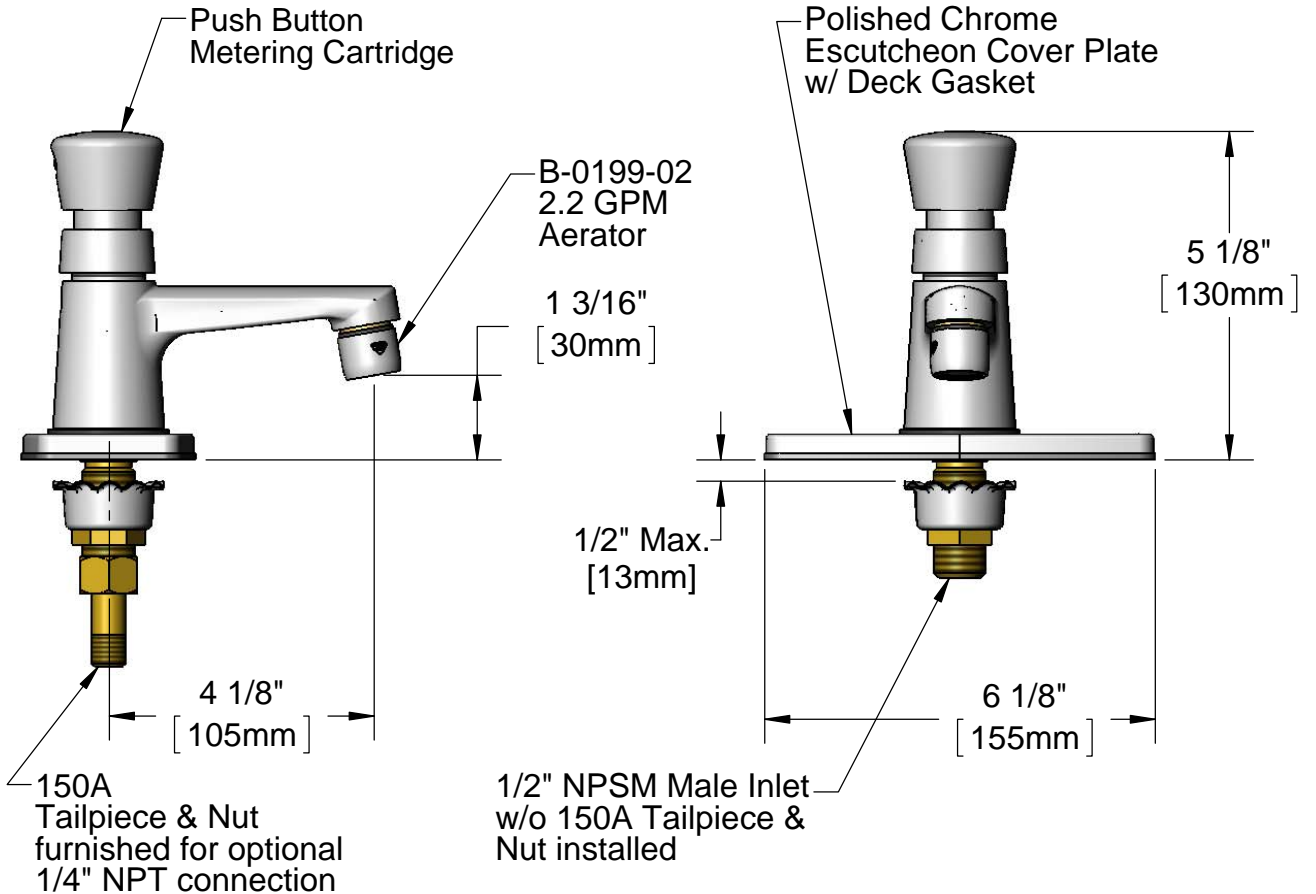
Architect/Engineer \_\_\_\_\_



**ADA Compliant**



Furnished w/ spanner bit for access to metering adjustment.  
(Metering adjustment requires 3/32" hex key)



**Rough-In Requirement:**  
Ø 1 1/8" [30mm] Mounting Hole

Product Specifications:  
Single Temperature Basin Faucet w/ 1/2" NPSM Male Shank,  
Push Button Metering Cartridge, Escutcheon Cover Plate &  
2.2 GPM Aerator

Drawn	Checked	Approved
DMH	GEF	JHB
Scale:	Date:	
1:3	03/30/12	



**T&S BRASS AND BRONZE WORKS, INC.**

2 Saddleback Cove / P.O. Box 1088  
Travelers Rest, SC 29690

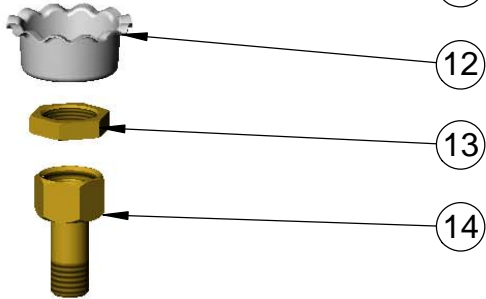
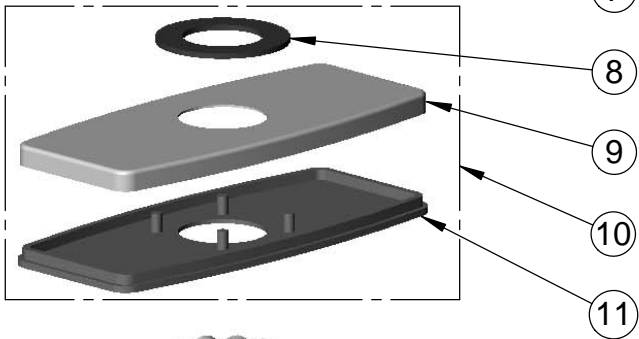
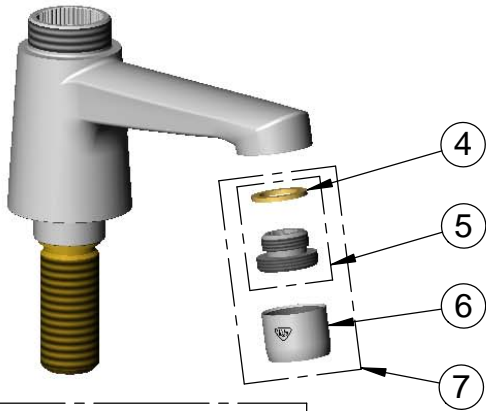
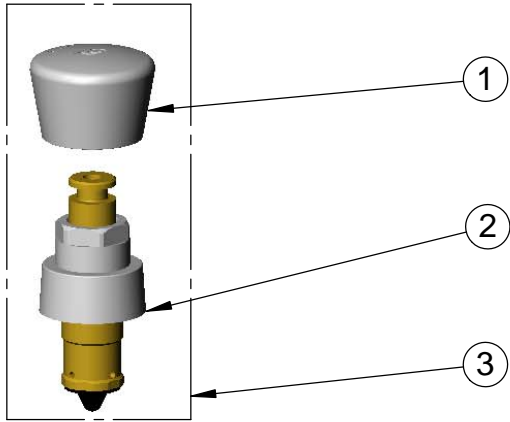
Model No.

**B-0712-ESC**

Item No.

Travelers Rest, SC: 800-476-4103 • Simi Valley, CA: 800-423-0150 • Fax: 864-834-3518 • www.tsbrass.com

ITEM NO.	SALES NO.	DESCRIPTION
1	014193-40	Push Button Cap Assembly
2	238A	Push Button Metering Cartridge
3	238AB	Metering Cartridge w/ Blank Push Button & Spanner Bit
4	001043-45	Washer
5	044A	3/8" to Aerator Adapter
6	B-0199-01	2.2 GPM Aerator, Female
7	B-0199-02	2.2 GPM Aerator, 3/8" NPSM
8	014612-45	Deck Seal
9	009530-40	Cover Plate
10	009345-45	Cover Plate w/ Gasket & Seal
11	018259-45	Gasket, 4" c/c Cover Plate
12	001000-45	Rosette Washer
13	002954-45	Shank Lock Nut
14	000958-20	Coupling Nut



014734-45  
Spanner Bit for  
Vandal Resistant Screw

Product Specifications:  
Single Temperature Basin Faucet w/ 1/2" NPSM Male Shank,  
Push Button Metering Cartridge, Escutcheon Cover Plate &  
2.2 GPM Aerator

Drawn <b>DMH</b>	Checked <b>GEF</b>	Approved <b>JHB</b>
Scale: <b>NTS</b>		Date: <b>03/30/12</b>