



T&S BRASS AND BRONZE WORKS, INC.

2 Saddleback Cove / P.O. Box 1088
Travelers Rest, SC 29690

Model No.

B-0546-133X-AER

Item No.

Travelers Rest, SC: 800-476-4103 • Simi Valley, CA: 800-423-0150 • Fax: 864-834-3518 • www.tsbrass.com

This Space for Architect/Engineer Approval

Job Name _____ Date _____

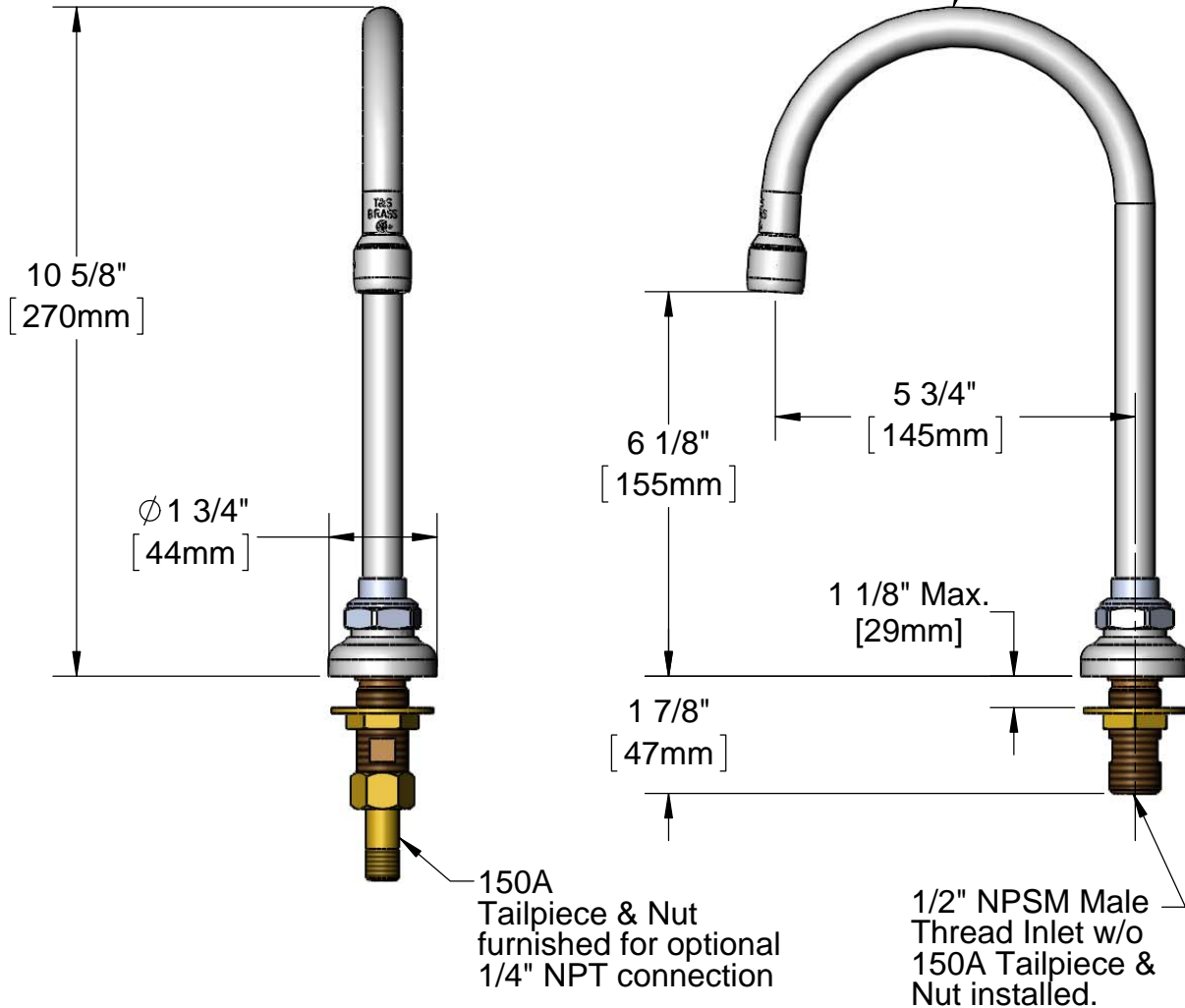
Model Specified _____ Quantity _____

Customer/Wholesaler _____

Contractor _____

Architect/Engineer _____

Swivel Gooseneck w/
2.2 GPM Aerator.
Converts to rigid with
furnished 014200-45
lock washer.



Rough-in Requirement:
Ø 1" [25mm] Hole

Product Specifications:
Deck Mount Dummy Swivel Gooseneck w/ 2.2 GPM Aerator

Drawn DMH	Checked KJG	Approved JHB
Scale: 1:3		Date: 02/24/12



T&S BRASS AND BRONZE WORKS, INC.

2 Saddleback Cove / P.O. Box 1088
Travelers Rest, SC 29690

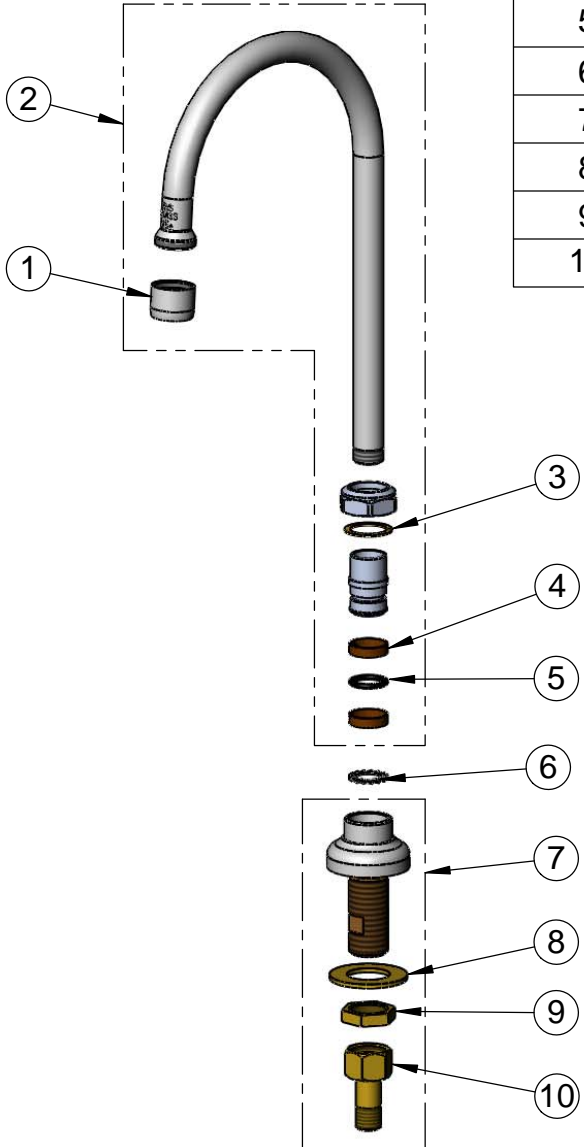
Model No.

B-0546-133X-AER

Item No.

Travelers Rest, SC: 800-476-4103 • Simi Valley, CA: 800-423-0150 • Fax: 864-834-3518 • www.tsbrass.com

ITEM NO.	SALES NO.	DESCRIPTION
1	B-0199-01	2.2 GPM Aerator, Female
2	133X-AER	133X Swivel Gooseneck w/ Aerator
3	009538-45	Swivel Washer
4	011429-45	Swivel Sleeves (2)
5	001074-45	O-Ring
6	014200-45	Star Washer, Anti-Rotation
7	B-0431	Deck Mount Swivel Base Outlet
8	000999-45	Brass Lock Washer
9	002954-45	Shank Lock Nut
10	150A	1/4" NPT Tailpiece & Nut



Product Specifications:
Deck Mount Dummy Swivel Gooseneck w/ 2.2 GPM Aerator

Drawn

DMH

Checked

KJG

Approved

JHB

Scale:

NTS

Date:

02/24/12