



Project _____
 AIA # _____ SIS # _____
 Item # _____ Quantity _____ C.S.I. Section 114000



6801 VERTICAL MEAT SAW

6801 Vertical Meat Saw



6801



6801-18IP**

MODELS

- 6801** Vertical meat saw, cutting clearance 15 $\frac{3}{4}$ " D x 17 $\frac{1}{2}$ " H x 24" W

STANDARD FEATURES

- + 3 HP motor
- + Direct gear drive transmission
- + Tri-rail carriage
- + Open frame stainless steel construction
- + Center crown pulley
- + Removable double flanged pulleys
- + Split rear table
- + Direction grain stainless steel
- + Pivoted automatic tension
- + Stainless steel top cover
- + Adjustable legs

ADDITIONAL MODEL WITH OPTIONAL FEATURES**

- Includes standard features above
- Integrated pusher carriage**

OPTIONAL FEATURES & ACCESSORIES

- Cord & plug (200-230/60/3 only), 6 ft power cord with NEMA L15-20P plug
- Bulk blade set, 25 pieces, 0.022 x $\frac{5}{8}$ x 142" saw blade



SPECIFIER STATEMENT

Specified unit will be an NSF rated Hobart vertical meat saw with a cutting clearance of 15 $\frac{3}{4}$ " D x 17 $\frac{1}{2}$ " H x 24" W. Features a 3 HP motor and direct gear drive transmission with a blade speed of 4,150 fpm. Meat saw has adjustable legs, pivoted automatic tension, and movable carriage tray. Unit has an open frame stainless steel construction, two-piece table and removable double flanged pulleys for easy cleaning and sanitation.

Approved by _____ Date _____ Approved by _____ Date _____

SOLUTIONS/BENEFITS

PERFORMANCE

3 HP Motor

Direct Gear Drive Transmission

- + No belts to replace, slip, adjust or break
- + Helical gear reduction
- + 4150 fpm blade speed

Stationary Cutting Table

- + 21½" x 39¾" heavy stainless steel with turned down edges for rigidity
- + Fully supported for heavy duty use and stacking space
- + Two-piece table for easy break down and cleaning

EASE OF USE

Adjustable Legs

- + Adjust machine height for easier, more comfortable use

Pivoted Automatic Tension

- + Motor, transmission, and lower pulley assembly is pivot mounted
- + Blade tension control easily accessible below table
- + Easily adjusts for broad blade length tolerance

Removable Double-Flanged Pulleys

- + Removes without tools
- + Bright tinned cast iron upper and lower blade pulleys
- + Blade retaining double flanges and center crown for long life without loss of blade integrity
- + True running of the blade ensured by precision pulley balance

Integrated Pusher Carriage**

- + Fully integrated pusher incorporates this convenience feature into the carriage system making it easier to locate and operate.
- + When not in use, pusher can be rotated out of the way.
- + No tools needed for disassembly for cleaning, minimal parts for sanitation

Rugged Gauge Plate

- + 6¾" x 16¾" stainless steel plate on aluminum cast frame
- + Easily disengaged for adjustment
- + Adjustment gives quick, positive regulation of cut thickness with precision
- + Exclusive design of gauge plate end permits quick removal of cuts for stacking

SANITATION & CLEANING

Open-Frame Construction

- + Hose down and power wash capabilities (up to 1100 PSI)

Enclosed Bone Dust System

- + Large lower scrap pan traps dust

Easy Part Removal

- + No tools needed to remove both pulleys, blade cleaners and guide assemblies
- + Lower "lift-out" guide assembly has stainless steel blade guide
- + Built-in tungsten carbide blade back-up block assembly is removable

OPERATOR ASSURANCE

Upper and Lower Blade Guards

- + Blade guarded above and below cutting zone
- + Blade remains accessible

Pusher Plate

- + Eliminates need to handle items close to blade

Movable Carriage Tray

- + 16" D X 24¾" W
- + Stainless steel, turned down edges reinforces rigidity
- + Stepped front edge and stainless steel ball bearings to move carriage quickly and easily
- + Tri-rail carriage support assures stability
- + Carriage lock is standard

SPECIFICATIONS

Motor: 3 HP motor; Totally enclosed, water resistant, flange mounted with grease-packed ball bearings.

Electrical: Available in 200-240/60/1, 200-230/60/3, 208-240/60/3, 460/60/3. Also available in 380-415/50/60/3, not submitted for UL listing.

Switch: Single pull-to-start, push-to-stop switch. Heater with controls to prevent moisture condensation on electrical components.

Adjustable Leg Height: 2".

Saw Blade: 5/8" wide x 142" long.

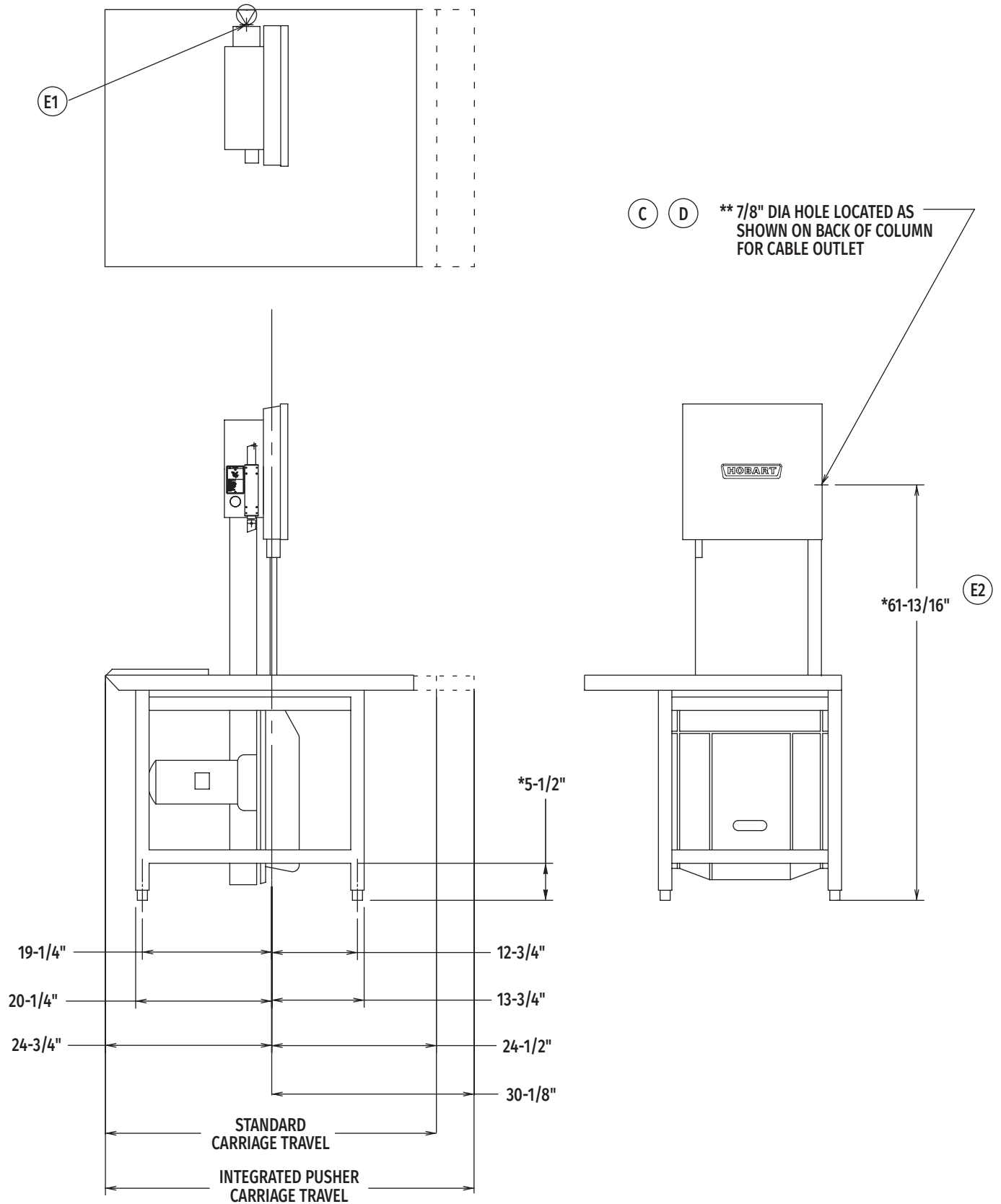
Capacity: Cutting clearance is 15¾" D x 17½" H x 24" W.

Finish: Stainless steel open frame design.

Warranty: 1-year parts, labor, and travel during normal working hours within the USA.

Weight: Shipping - 570 lbs. Net - 430 lbs.

DETAILS AND DIMENSIONS



As continued product improvement is a policy of Hobart, specifications are subject to change without notice.

CAD and/or Revit Files Available