

HOBART701 S Ridge Avenue, Troy, OH 45374
1-888-4HOBART • www.hobartcorp.com**6430 & 6460
PEELER****HOBART****STANDARD FEATURES**

- Stainless steel housing for durability
- Silicon carbide abrasive disk easily removed for cleaning
- Stainless steel drive shaft
- Gray molded, heavy-duty hopper cover with opening to monitor product
- Peels 30 lbs. (Model 6430) or 50-60 lbs. (Model 6460) in one to three minutes
- Heavy-duty motors for high volume, long life
- ¾ H.P. (Model 6430) or 1 H.P. (Model 6460) motor
- V-belt direct speed drive
- Stainless steel construction
- NSF approved removable Lexan liner
- Synchronous 5 minute timer (single phase only)

MODEL

- 6430 – Peeler
- 6460 – Peeler

Specifications, Details and Dimensions on Inside and Back.

ACCESSORIES

- Cabinet base and peel trap with stainless steel strainer
- Disposer stand (specify model FD3/50-6 disposer. Voltage for disposer must be the same as disposer stand).



Shown with optional peel strainer and trap

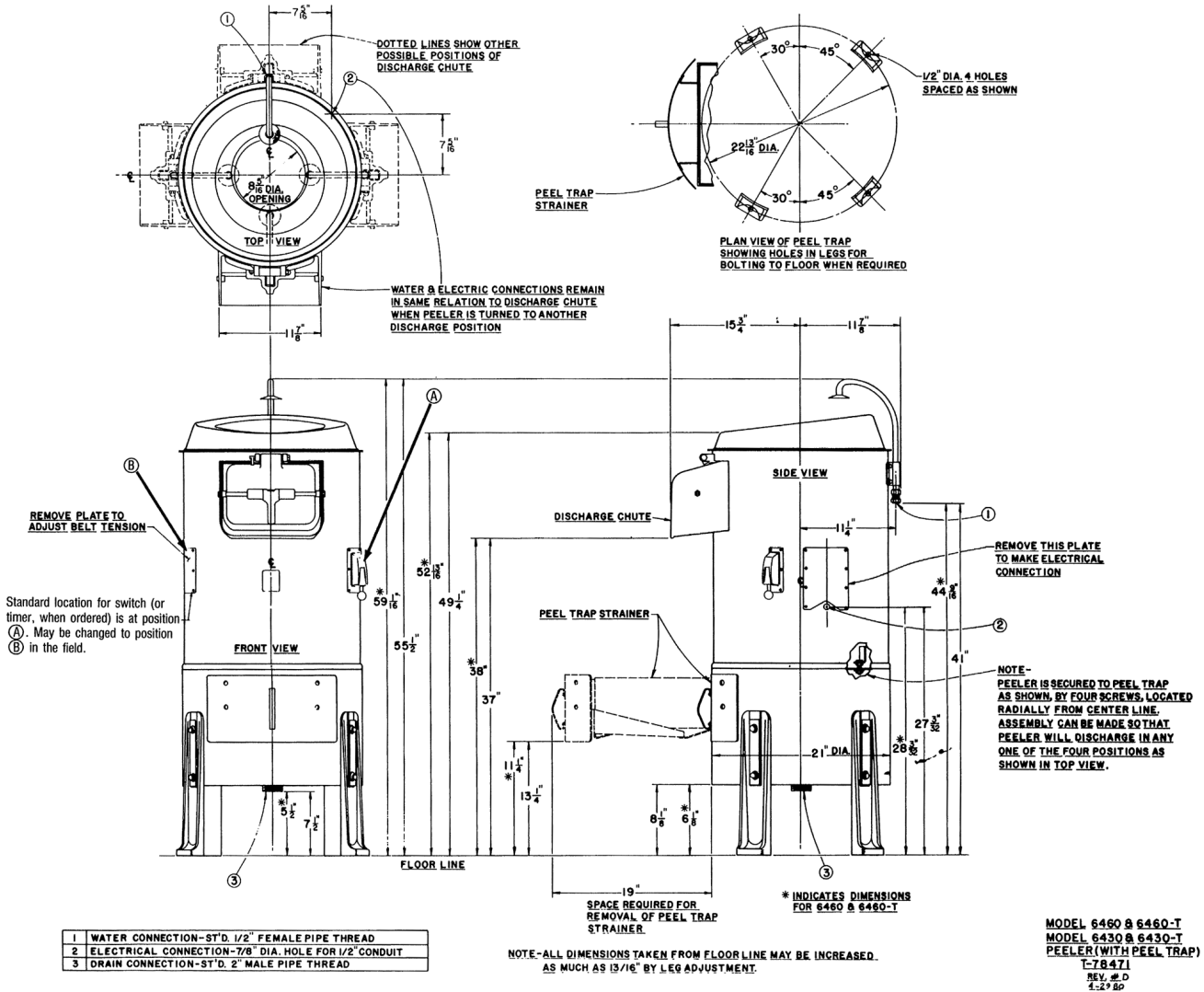
6430 & 6460 PEELER

6430 & 6460 PEELER



701 S Ridge Avenue, Troy, OH 45374
1-888-4HOBART • www.hobartcorp.com

DETAILS, DIMENSIONS AND CONNECTIONS OF PEELER WITH PEEL TRAP UNIT



MODELS	6430	6460
Approximate Shipping Weight Peeler and Peel Trap Unit	201 lbs.	210 lbs.
Approximate Shipping Weight Peeler less Peel Trap Unit	147 lbs.	156 lbs.
Net Weight of Peeler and Peel Trap Unit	190 lbs.	198 lbs.

WARNING

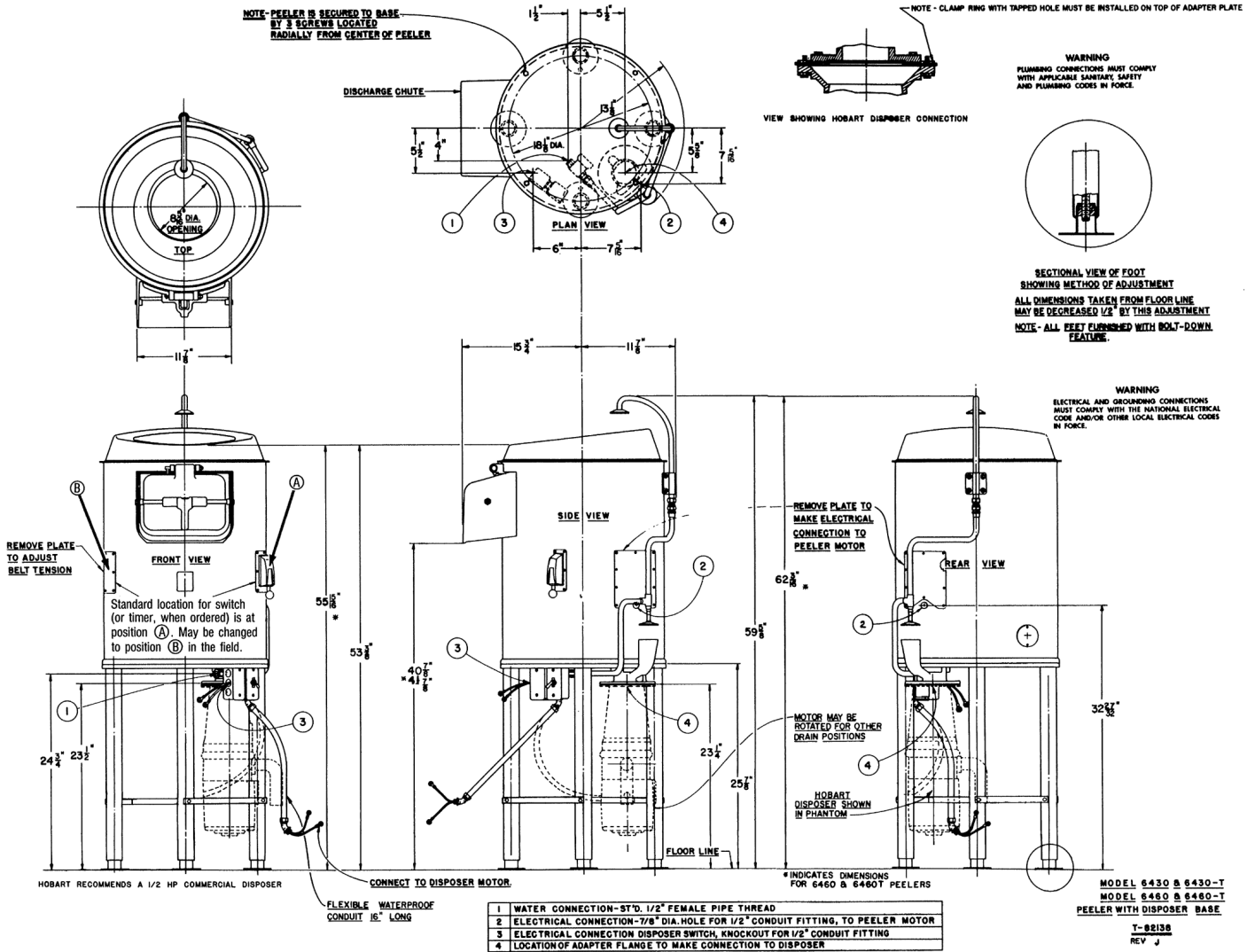
ELECTRICAL AND GROUNDING CONNECTIONS MUST COMPLY WITH THE NATIONAL ELECTRICAL CODE AND/OR OTHER LOCAL ELECTRICAL CODES IN FORCE. PLUMBING CONNECTIONS MUST COMPLY WITH APPLICABLE SANITARY, SAFETY AND PLUMBING CODES IN FORCE.



701 S Ridge Avenue, Troy, OH 45374
1-888-4HOBART • www.hobartcorp.com

6430 & 6460 PEELER

DETAILS, DIMENSIONS AND CONNECTIONS OF PEELER WITH DISPOSER STAND



Single phase only.
DO NOT use three phase disposers.

MODELS	6430	6460
Net Weight of Peeler	142 lbs.	150 lbs.
Domestic Shipping Weight of Peeler	147 lbs.	156 lbs.
Net Weight of Disposer Stand	58 lbs.	60 lbs.
Domestic Shipping Weight of Disposer Stand	65 lbs.	70 lbs.

NOTE – Disposer Stand shipped in carton separate from Peeler

WARNING

ELECTRICAL AND GROUNDING CONNECTIONS MUST COMPLY WITH THE NATIONAL ELECTRICAL CODE AND/OR OTHER LOCAL ELECTRICAL CODES IN FORCE. PLUMBING CONNECTIONS MUST COMPLY WITH APPLICABLE SANITARY, SAFETY AND PLUMBING CODES IN FORCE.

6430 & 6460 PEELER



701 S Ridge Avenue, Troy, OH 45374
1-888-4HOBART • www.hobartcorp.com

SPECIFICATIONS

MOTOR: ¾ H.P., Model 6430; 1 H.P. Model 6460. The motor features manual reset overload protection, grease-packed ball bearings, and ventilation within the peeler enclosure. Single phase is capacitor-start, induction run, and three phase is poly-phase, squirrel-cage, induction-run type.

ELECTRICAL SPECIFICATIONS: 115/60/1, 200-230/60/1, 200-230/60/3 UL Listed. 220-240/50/1, 380-415/50/3—Not submitted for UL Listing.

SWITCH: Manual tumbler type, located on right side of discharge chute as standard. Switch can be relocated to other side of chute if desired.

TIMER – Models 6430T and 6460T: Synchronous 5-minute timer, adjustable for any increments from ½ minute up to 5 minutes, with 15-second markings etched on a large timer dial. This timer is furnished only in single phase specifications as standard.

DRIVE: Multigrip, poly V-belt provides the direct speed reduction between motor and peeling disc. Belt adjustment may be accomplished from outside the machine. The stainless steel drive shaft is rigidly mounted on grease-packed ball bearings. Advanced designed triple protection sealing prevents entrance of water into shaft bearings.

PEELER UNIT: Cylindrical construction, heliarc-welded stainless steel with removable NSF approved Lexan liner. A one piece, reinforced plastic molded, lightweight, easily removable,

positive locking hopper cover is provided for easy cleaning. Quick-opening removable aluminum hopper door and positive, cam-type pressure lock. Discharge chute is ball burnished cast aluminum. To facilitate installation, the peeler unit can be positioned at 90° intervals, in relation to the peel trap unit.

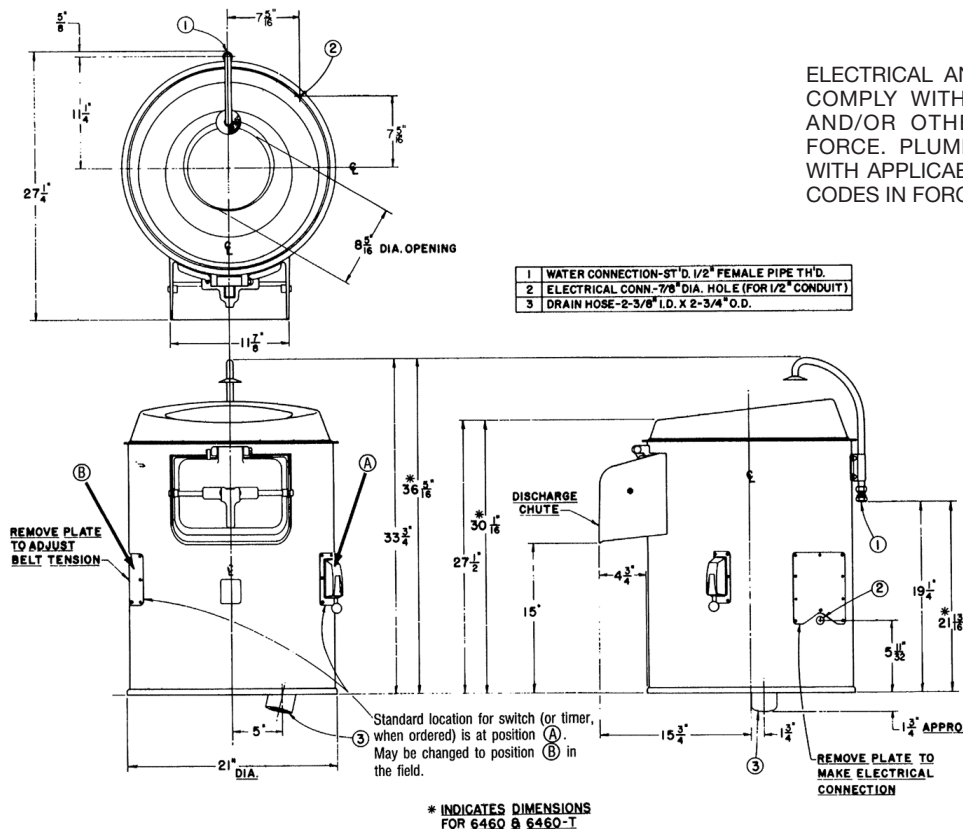
ABRASIVE DISC: An extremely lightweight fiberglass reinforced plastic disc is 20½ inches in diameter. The silicon-carbide abrasive is permanently bonded to the disc, assuring unequalled long service. Disc can be easily and quickly removed for cleaning by removing the lightweight hopper cover. Two angle mounted wipers provide positive movement of waste into the outlet.

WORKING CAPACITY: Model 6430 peels 30-33 pounds in one to three minutes. Model 6460 Peeler peels 50-60 pounds in similar time.

FINISH: Peeler and peel trap unit are glass-beaded stainless steel. Plastic molded hopper cover is gray. Door and handle, discharge chute, and legs are cast aluminum and ball burnished for durability. Bottom of peeler unit is cushioned in resilient rubber trim molding.

WATER INLET: The inlet is the air-gap type, mounted at the rear of the peeler unit at sufficient height to meet plumbing codes. The water from the inlet impinges on the curved surface of the hopper cover to form a fan pattern of water into the unit. This design promotes interior self-cleaning and forms a water curtain which prevents undesirable splash.

DETAILS, DIMENSIONS AND CONNECTIONS OF PEELER WITH DISPOSER STAND



WARNING

ELECTRICAL AND GROUNDING CONNECTIONS MUST COMPLY WITH THE NATIONAL ELECTRICAL CODE AND/OR OTHER LOCAL ELECTRICAL CODES IN FORCE. PLUMBING CONNECTIONS MUST COMPLY WITH APPLICABLE SANITARY, SAFETY AND PLUMBING CODES IN FORCE.

As continued product improvement is a policy of Hobart, specifications are subject to change without notice.