



KMS-830MLH

SERENITY SERIES CUBER ICE MACHINE



KMS-830MLH
03/31/17
Item # 13281

Item #: _____
Project: _____
Qty: _____
AIA#: _____

Features

- ▶ Individual crescent cube
- ▶ Stainless steel evaporator

▶ CycleSaver™ design

- Up to 820 lbs. of ice production per 24 hours
- Durable stainless steel exterior
- Protected by H-GUARD Plus Antimicrobial Agent
- EverCheck™ alert system
- Less heat in the kitchen
- Minimized noise
- CFC / HFC Free Foam
- R-404A Refrigerant
- Not recommended for side-by-side application

Warranty:

3 Year Parts & Labor on entire machine. 5 Year Parts & Labor on Evaporator. 5 Year Parts on Compressor; air-cooled condenser coil. Valid in United States, Canada, Puerto Rico and U.S. Territories. Contact factory for warranty in other countries.

W x D x H
30" x 16¹/₂" x 29"

Installation Dimension*
SRK-8H / SRK-8H3
35¹¹/₁₆" x 25³/₈" x 37"

*Dimensions include legs

Actual Dimension
SRK-8H / SRK-8H3
33⁵/₈" x 23" x 22"

KMS-830MLH
Remote Air-Cooled
Shown on optional
Lancer 30" Dispenser



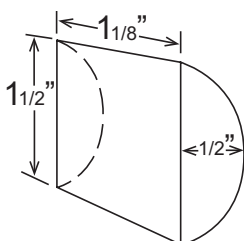
Condenser	Model	ICE PRODUCTION		WATER USAGE		ELECTRICAL			Heat Rejection BTU/hr.	Shipping Weight	ENERGY STAR®		
		Air / Water Temp Lbs. per 24 hours	Per Cycle	Potable Gal. per 100 lbs.	Condenser Gal. per 100 lbs.	kWh Used per 100 lbs.	Max. Fuse Size or HACR Circuit Breaker	Amperage				Voltage	
Remote Air-Cooled	KMS-830MLH with SRK-8H	70°/ 50°F 820	13.6 680	90°/ 70°F 700	16.0	90°/ 70°F N/A	5.5	20A	9.1A	115V/60/1 *	16,900	137 lbs.	
Remote Air-Cooled	KMS-830MLH with SRK-8H3	70°/ 50°F 791	12.7 680	90°/ 70°F 690	16.0	90°/ 70°F N/A	5.4	20A	7.5A	115V/60/1 *	15,800	137 lbs.	

Condenser	Model	LINE SETS - Brazing Required			TEMP RANGE		ELECTRICAL			Heat Rejection BTU/hr.	Shipping Weight	ENERGY STAR®
		25' Length	35' Length	55' Length	Ambient (Outdoor Use)	Voltage Range	Max. Fuse Size or HACR Circuit Breaker	Amperage	Voltage			
Remote	SRK-8H	HS-0250*	HS-0251*	HS-0252*	-22 - 122°	187-253VAC	20A	9.1A	208-230V/60/1	16,200	206 lbs.	
Remote	SRK-8H3	HS-0250*	HS-0251*	HS-0252*	-22 - 122°	187-253VAC	20A	7.5A	208-230V/60/3	16,200	206 lbs.	

* Voltage supply for KMS Ice Maker is supplied from the SRK Remote Condenser

** line sets require refrigerant

KM Cube Dimensions*



* approximate size in inches, image not to scale

Operating Limits- KMS-830MLH

- Ambient Temp Range 45 - 100°F
- Water Temp Range 45 - 90°F
- Water Pressure 10 - 113 PSIG
- Voltage Range 187-253V*

Service- KMS-830MLH

- Allow 6" (15 cm) clearance at rear, right side, and top for proper air circulation and ease of maintenance/service.
- Allow 28" (71 cm) clearance on left side for removal of cube guides
- Panels easily removed and all components accessible for service.

* Voltage supply for KMS Ice Maker is supplied from the SRK Remote Condenser

Plumbing- KMS-830MLH

- Icemaker Water Supply Line: Minimum 1/4" Nominal ID Copper Water Tubing or Equivalent
- Icemaker Drain Line: Minimum 3/4" Nominal ID Hard Pipe or Equivalent

Service- SRK-8H(3)

- Allow 24" (61 cm) clearance in both front and rear for proper air circulation and ease of maintenance/service.
- For best performance the Remote Condenser should not be more than 33 feet above the icemaker or no more than 10 feet below it. These distances are measure from fitting to fitting.



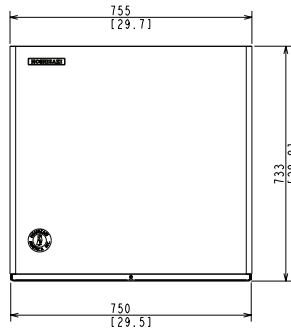
KMS-830MLH

SERENITY SERIES CUBER ICE MACHINE

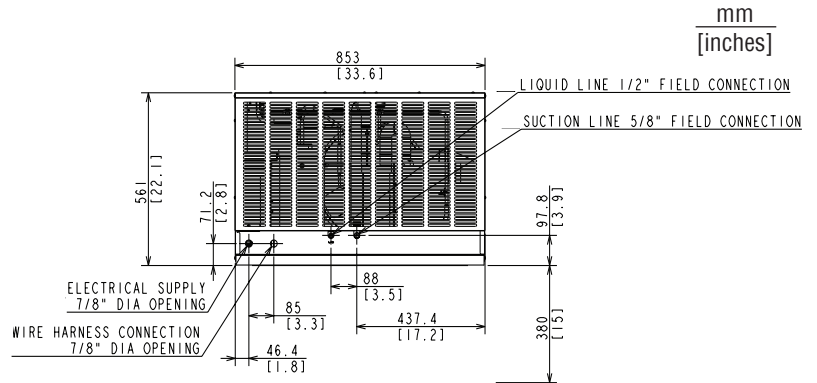


KMS-830MLH
03/31/17
Item # 13281

FRONT VIEW

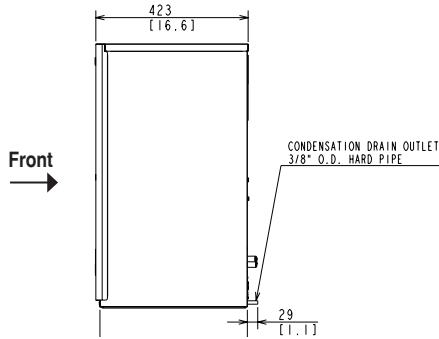


REMOTE AIR-COOLED

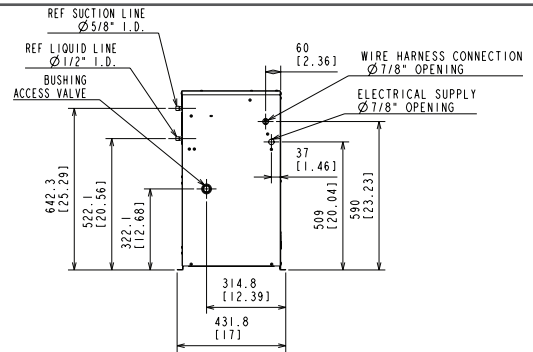


SRK-8H(3) REMOTE CONDENSER

SIDE VIEW

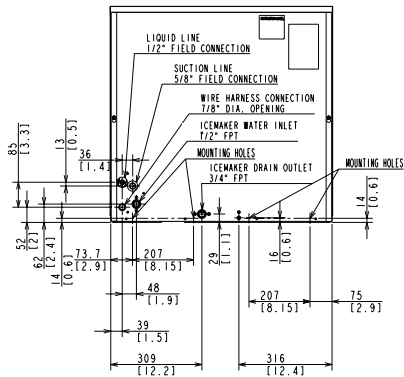


REMOTE AIR-COOLED



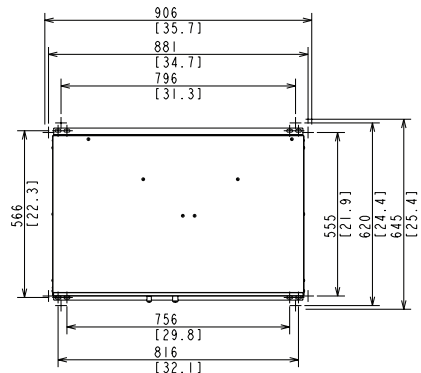
SRK-8H(3) REMOTE CONDENSER

REAR VIEW



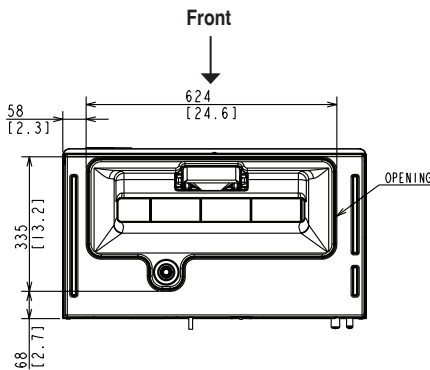
REMOTE AIR-COOLED

TOP VIEW



SRK-8H(3) REMOTE CONDENSER

BOTTOM VIEW



REMOTE AIR-COOLED

SRK-8H(3) Remote Condenser (Sold Separately)
(W x D x H) 35^{11/16} x 25^{3/8} x 37
For Use with KMS-830MLH



Tubing Kits - Requires Field Brazing

(Sold Separately)

25' HS-0250

35' HS-0251

55' HS-0252

Voltage supply for the KMS Ice Maker is supplied from the SRK Remote Condenser.

