



KM-260B_H

SELF-CONTAINED CUBER WITH BUILT-IN STORAGE BIN



KM-260B_H
04/25/17
Item # 13239

Item #: _____
 Project: _____
 Qty: _____
 AIA#: _____

W x D x H
30" x 28" x 39"*
*including 6" legs

KM-260BAH ★
Air-Cooled
Shown

KM-260BWH
Water-Cooled



Features

- ▶ Individual crescent cube
- ▶ Stainless steel evaporator
- ▶ CycleSaver™ design

- Up to 268 lbs. of ice production per 24 hours
- Up to 100 lbs. of built-in storage capacity
- Durable stainless steel exterior
- Ice bin opening is ADA compliant
- EverCheck™ alert system
- Removable air filter (Air-cooled model only)
- R-404A Refrigerant

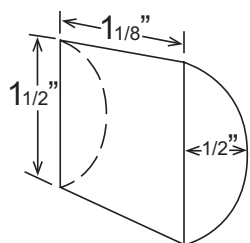
Warranty:

3 Year Parts & Labor on entire machine. 5 Year Parts & Labor on Evaporator. 5 Year Parts on Compressor; air-cooled condenser coil. 1 Year - HS-5061 Drain Pump Assembly - Parts & Labor. Valid in United States, Canada, Puerto Rico and U.S. Territories. Contact factory for warranty in other countries.



Condenser	Model	ICE PRODUCTION				WATER USAGE			ELECTRICAL			Heat Rejection BTU/hr.	Shipping Weight	ENERGY STAR®	
		Air / Water Temp Lbs. per 24 hours	Per Cycle	Potable Gal. per 100 lbs.	Condenser Gal. per 100 lbs.	kWh Used per 100 lbs.	Max. Fuse Size or HACR Circuit Breaker	Amperage	Voltage						
		70°/50°F	90°/70°F	Lbs.	Cubes	90°/70°F	90°/70°F	90°/70°F							
Air-Cooled	KM-260BAH	263	200	5.0	238	20.3	N/A	7.6	15A	7.6A	115V/60/1	3,500	204 lbs.	★	
Water-Cooled	KM-260BWH	268	237	5.0	238	26.3	121	6.4	15A	7.5A	115V/60/1	3,600	204 lbs.		

KM Cube Dimensions*



* approximate size in inches, image not to scale

Operating Limits

- Ambient Temp Range 45 - 100°F
- Water Temp Range 45 - 90°F
- Water Pressure 10 - 113 PSIG
- Voltage Range 104 - 127V

Service

- Allow enough space at rear for water supply and drain connections. Allow at least 2" (5 cm) on right side for proper air circulation and at least 0.6" (15 mm) clearance at top for service/maintenance.

Plumbing

- Icemaker Water Supply Line: Minimum 1/4" Nominal ID Copper Water Tubing or Equivalent
- Icemaker Drain Line: Minimum 3/4" Nominal ID Hard Pipe or Equivalent
- Water-Cooled Model (Lines Must Be Independent of Icemaker)
- Condenser Water Supply Line: Minimum 1/4" Nominal ID Copper Water Tubing or Equivalent
- Condenser Drain/Return Line: Minimum 1/4" Nominal ID Hard Pipe (open drain system) or Copper Water Tubing (closed loop system) or Equivalent



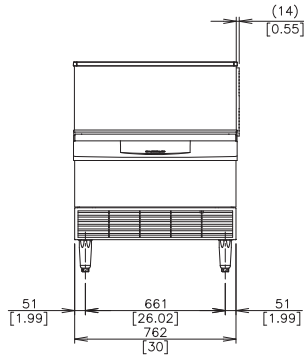
KM-260B_H

**SELF-CONTAINED CUBER
WITH BUILT-IN STORAGE BIN**

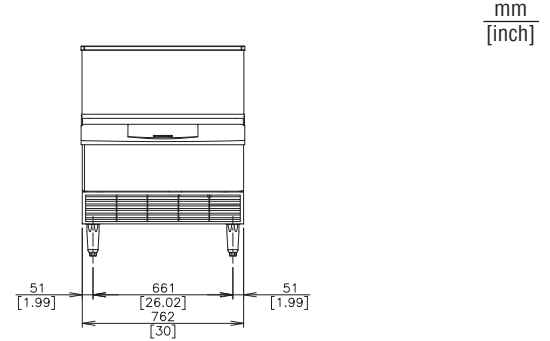


KM-260B_H
04/25/17
Item # 13239

FRONT VIEW



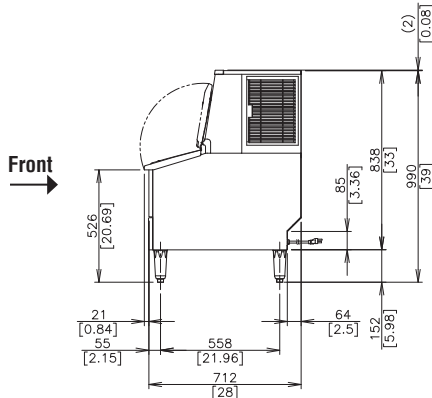
AIR-COOLED



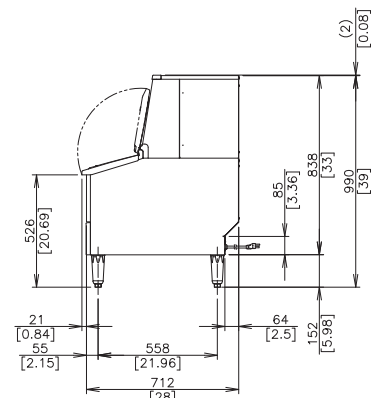
WATER-COOLED

mm
[inch]

SIDE VIEW

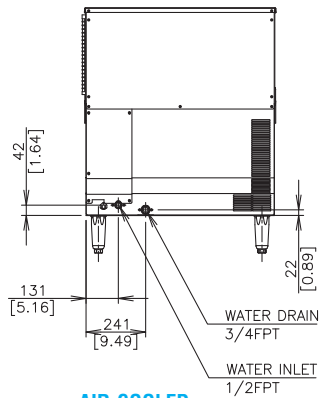


AIR-COOLED

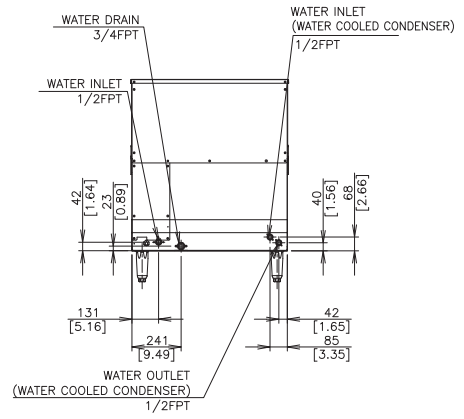


WATER-COOLED

REAR VIEW

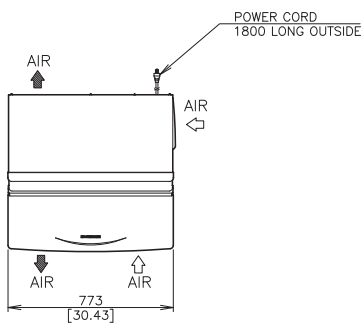


AIR-COOLED

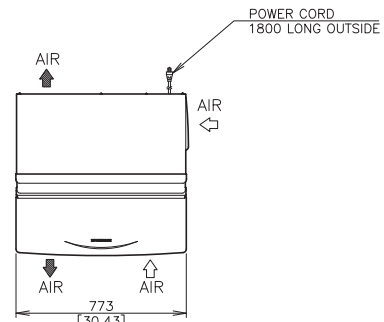


WATER-COOLED

TOP VIEW



AIR-COOLED



WATER-COOLED