



# KM-2100S\_J3

## 3 PHASE STACKABLE ICE CUBER



KM-2100S\_J3  
03/31/17  
Item # 13369

**W x D x H**  
48" x 27<sup>3/8</sup>" x 36<sup>7/16</sup>"

**KM-2100SWJ3**  
Water-Cooled 3 Phase  
Shown on optional bin: B-900

**KM-2100SRJ3** ★  
Remote Air-Cooled 3 Phase



Item #: \_\_\_\_\_  
Project: \_\_\_\_\_  
Qty: \_\_\_\_\_  
AIA#: \_\_\_\_\_

### Features

▶ Individual crescent cube

▶ Stainless steel evaporator

▶ CycleSaver™ design

- Up to 2115 lbs. of ice production per 24 hours
- Stackable for 4230 lbs. per 24 hours ice production in the same floor space
- Durable stainless steel exterior
- Protected by H-Guard Plus Antimicrobial Agent
- EverCheck™ alert system
- R-404A Refrigerant

#### Available on Bins:

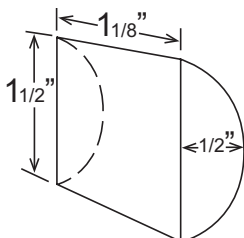
**B-800**    **B-1150SS**    **B-1500SS**    *Top kit may be required.*  
**B-900**    **B-1300SS**    **B-1650SS**    *See Bin Spec Sheets.*

#### Warranty:

Valid in United States, Canada, Puerto Rico and U.S. Territories. Contact factory for warranty in other countries.

Condenser	Model	ICE PRODUCTION				WATER USAGE			ELECTRICAL				Heat Rejection BTU/hr.	Shipping Weight	ENERGY STAR®
		Air / Water Temp Lbs. per 24 hours 70°/50°F	90°/70°F	Per Cycle Lbs.	Cubes	Potable Gal. per 100 lbs. 90°/70°F	Condenser Gal. per 100 lbs. 90°/70°F	kWh Used per 100 lbs. 90°/70°F	Max. Fuse Size or HACR Circuit Breaker	Amperage	Voltage				
3 Phase	Water-Cooled	KM-2100SWJ3	2115	2085	46.9	2160	19.3	106	3.16	20A	10.5A	208-230V/60/3	31,500	440 lbs.	
	Remote Air-Cooled	KM-2100SRJ3	1964	1865	46.9	2160	19.0	N/A	4.16	20A	12.5A	208-230V/60/3	30,800	440 lbs.	★

### KM Cube Dimensions\*



\* approximate size in inches, image not to scale

### Operating Limits

- Ambient Temp Range 45 - 100°F
- Water Temp Range 45 - 90°F
- Water Pressure 10 - 113 PSIG
- Voltage Range 187 - 253V

### Service

- Panels easily removed and all components accessible for service.
- Allow 6" (15 cm) clearance at rear, sides, and top for proper air circulation and ease of maintenance/service.

### Plumbing

- Icemaker Water Supply Line: Minimum 3/8" Nominal ID Copper Water Tubing or Equivalent
- Icemaker Drain Line: Minimum 3/4" Nominal ID Hard Pipe or Equivalent
- Water-Cooled Model (Lines Must Be Independent of Icemaker)
- Condenser Water Supply Line: Minimum 3/8" Nominal ID Copper Water Tubing or Equivalent
- Condenser Drain/Return Line: Minimum 3/8" Nominal ID Hard Pipe (open drain system) or Copper Water Tubing (closed loop system) or Equivalent



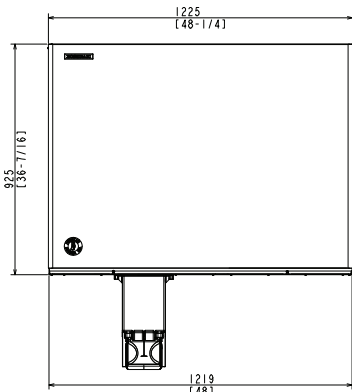
# KM-2100S\_J3

## 3 PHASE STACKABLE ICE CUBER

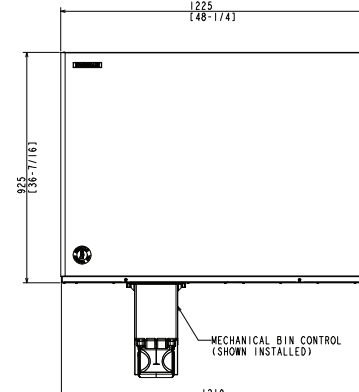


KM-2100S\_J3  
03/31/17  
Item # 13369

FRONT VIEW

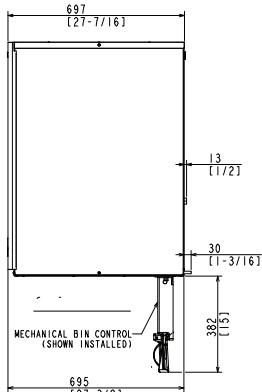


WATER-COOLED

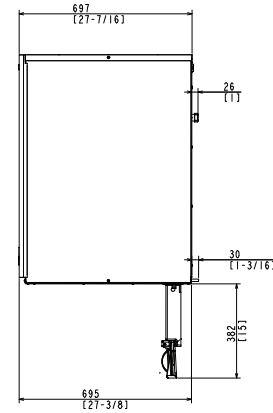


REMOTE AIR-COOLED

SIDE VIEW

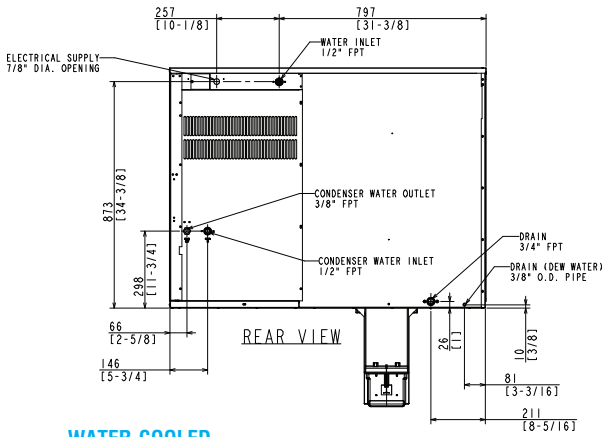


WATER-COOLED

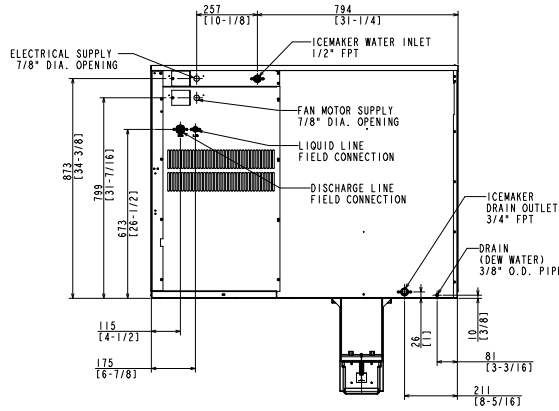


REMOTE AIR-COOLED

REAR VIEW

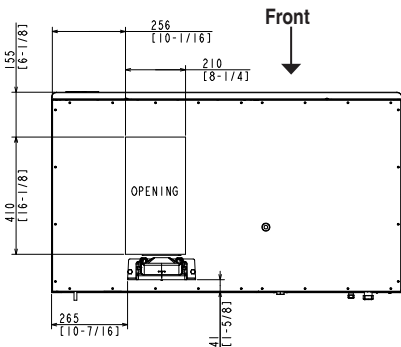


WATER-COOLED

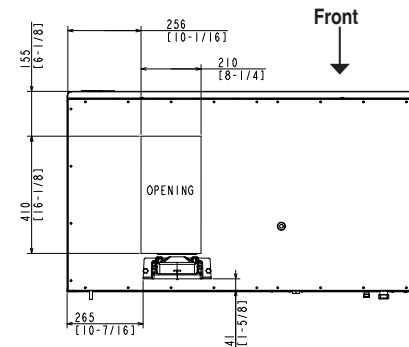


REMOTE AIR-COOLED

BOTTOM VIEW

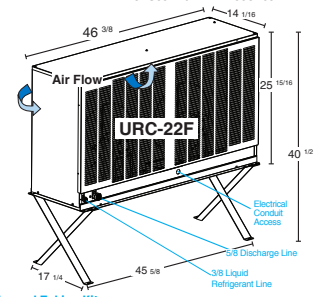


WATER-COOLED



REMOTE AIR-COOLED

**URC-22F Remote Condenser (Sold Separately)**  
(W x D x H) 46<sup>3/8</sup> X 14<sup>1/16</sup> X 40<sup>1/2</sup>  
For Use with KM-2100SRJ3



**Pre-Charged Tubing Kits**

- (Sold Separately)
- 20' R404-20610
- 35' R404-35610
- 55' R404-55610



Voltage supply for the URC Remote Condenser is supplied from the Ice Maker. No additional circuit is required.