



# KM-151B\_H

**SELF-CONTAINED CUBER  
WITH BUILT-IN STORAGE BIN**



KM-151B\_H  
04/25/17  
Item # 13236

**W x D x H**  
**23<sup>3/4</sup>" x 28<sup>1/4</sup>" x 39"** \*  
\*including 6" legs

**KM-151BAH** ★  
Air-Cooled  
Shown

**KM-151BWH**  
Water-Cooled



## Features

- ▶ Individual crescent cube
- ▶ Stainless steel evaporator
- ▶ CycleSaver™ design

- Up to 146 lbs. of ice production per 24 hours
- Up to 78 lbs. of built-in storage capacity
- Durable stainless steel exterior
- Front in, front out airflow
- Slide in door
- EverCheck™ alert system
- Removable air filter
- Power switch accessible without panel removal
- Built-in installation possible
- R-134a Refrigerant

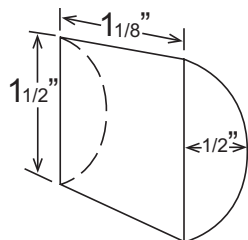
### Warranty:

3 Year Parts & Labor on entire machine. 5 Year Parts & Labor on Evaporator.  
5 Year Parts on Compressor; air-cooled condenser coil.  
1 Year - HS-5061 Drain Pump Assembly - Parts & Labor.  
Valid in United States, Canada, Puerto Rico and U.S. Territories. Contact factory for warranty in other countries.



Condenser	Model	ICE PRODUCTION				WATER USAGE			ELECTRICAL			Heat Rejection BTU/hr.	Shipping Weight	ENERGY STAR®
		Air / Water Temp Lbs. per 24 hours		Per Cycle		Potable Gal. per 100 lbs.	Condenser Gal. per 100 lbs.	kWh Used per 100 lbs.	Max. Fuse Size or HACR Circuit Breaker	Amperage	Voltage			
		70°/50°F	90°/70°F	Lbs.	Cubes	90°/70°F	90°/70°F	90°/70°F						
Air-Cooled	KM-151BAH	146	121	2.75	130	17.8	N/A	8.4	15A	7.0A	115V/60/1	3,290	156 lbs.	★
Water-Cooled	KM-151BWH	146	130	2.75	130	25.0	140	7.3	15A	6.8A	115V/60/1	3,220	156 lbs.	

### KM Cube Dimensions\*



\* approximate size in inches, image not to scale

### Operating Limits

- Ambient Temp Range 45 - 100°F
- Water Temp Range 45 - 90°F
- Water Pressure 10 - 113 PSIG
- Voltage Range 104 - 127V

### Service

- Allow enough space at rear for water supply and drain connections, at least 12" (30 cm) clearance at front and at least 0.6" (15 mm) clearance at top for maintenance.

### Plumbing

- Icemaker Water Supply Line: Minimum 1/4" Nominal ID Copper Water Tubing or Equivalent
- Icemaker Drain Line: Minimum 3/4" Nominal ID Hard Pipe or Equivalent

#### Water-Cooled Model (Lines Must Be Independent of Icemaker)

- Condenser Water Supply Line: Minimum 1/4" Nominal ID Copper Water Tubing or Equivalent
- Condenser Drain/Return Line: Minimum 1/4" Nominal ID Hard Pipe (open drain system) or Copper Water Tubing (closed loop system) or Equivalent



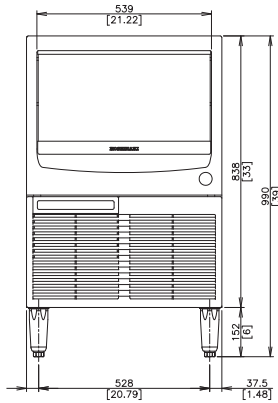
# KM-151B\_H

## SELF-CONTAINED CUBER WITH BUILT-IN STORAGE BIN

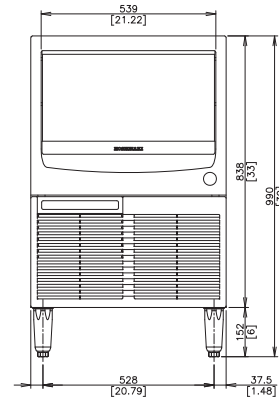


KM-151B\_H  
04/25/17  
Item # 13236

FRONT VIEW



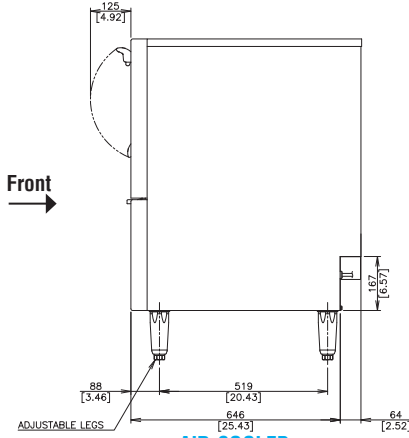
AIR-COOLED



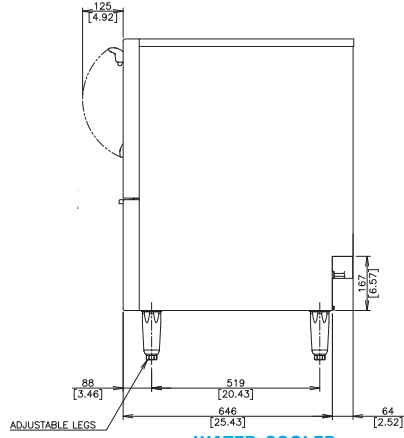
WATER-COOLED

mm  
[inch]

SIDE VIEW

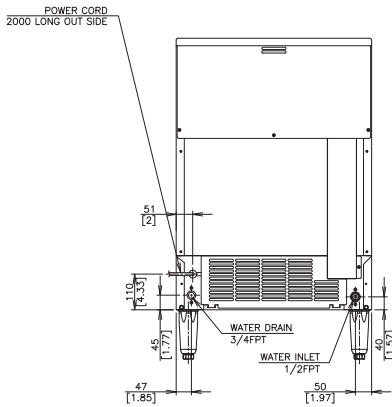


AIR-COOLED

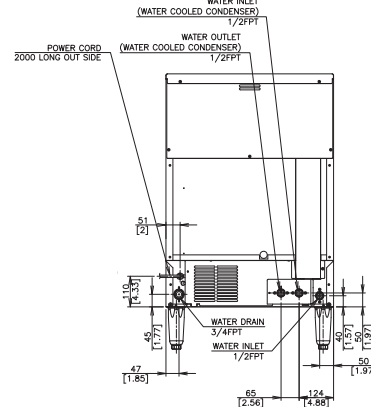


WATER-COOLED

REAR VIEW

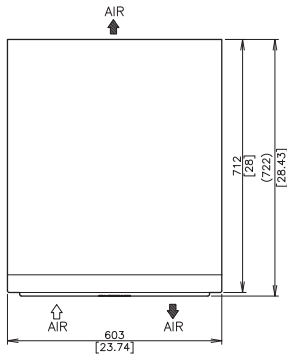


AIR-COOLED

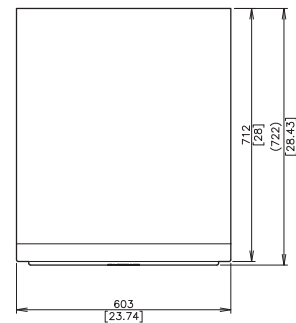


WATER-COOLED

TOP VIEW



AIR-COOLED



WATER-COOLED