



# KM-1340M\_H(3)

## MODULAR CRESCENT ICE CUBER



KM-1340M\_H(3)  
03/30/17  
Item # 13175

Item #: \_\_\_\_\_  
Project: \_\_\_\_\_  
Qty: \_\_\_\_\_  
AIA#: \_\_\_\_\_

### Features

► Individual crescent cube

► Stainless steel evaporator

► CycleSaver™ design

- Up to 1401 lbs. of ice production per 24 hours
- Mount two units, side-by-side, in only 60" of floor space for double the amount of ice production
- Durable stainless steel exterior
- Protected by H-Guard Plus Antimicrobial Agent
- EverCheck alert system
- Removable air filters (Air-cooled model only)
- R-404A Refrigerant

#### Available on Bins:

B-500PF/SF B-800PF/SF B-1150SS B-1500SS  
B-700PF/SF B-900PF/SF B-1300SS B-1650SS

Top kit may be required. See Bin Spec Sheets.

#### Warranty:

3 Year Parts & Labor on entire machine. 5 Year Parts & Labor on Evaporator. 5 Year Parts on Compressor; air-cooled condenser coil. Valid in United States, Canada, Puerto Rico and U.S. Territories. Contact factory for warranty in other countries.

W x D x H  
30" x 27<sup>3/8</sup>" x 41<sup>1/2</sup>"

**KM-1340MAH**  
Air-Cooled 1 Phase  
Shown on optional bin: B900

**KM-1340MWH**  
Water-Cooled 1 Phase

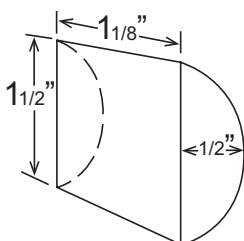
**KM-1340MRH** ★  
Remote Air-Cooled 1 Phase

**KM-1340MRH3**  
Remote Air-Cooled 3 Phase



|         | Condenser         | Model       | ICE PRODUCTION                     |           | Per Cycle |      | WATER USAGE |                           | ELECTRICAL                  |                       |  | Heat Rejection BTU/hr. | Shipping Weight | ENERGY STAR® |          |
|---------|-------------------|-------------|------------------------------------|-----------|-----------|------|-------------|---------------------------|-----------------------------|-----------------------|--|------------------------|-----------------|--------------|----------|
|         |                   |             | Air / Water Temp Lbs. per 24 hours | 70°/ 50°F | 90°/ 70°F | Lbs. | Cubes       | Potable Gal. per 100 lbs. | Condenser Gal. per 100 lbs. | kWh Used per 100 lbs. | Max. Fuse Size or HACR Circuit Breaker |                        |                 |              | Amperage |
| 1 Phase | Air-Cooled        | KM-1340MAH  | 1325                               | 1167      | 28.1      | 1440 | 18.3        | N/A                       | 4.7                         | 20A                   | 13.2A                                  | 208-230V/60/1          | 20,300          | 315 lbs.     |          |
|         | Water-Cooled      | KM-1340MWH  | 1329                               | 1316      | 28.1      | 1440 | 19.7        | 133                       | 3.9                         | 20A                   | 10.7A                                  | 208-230V/60/1          | 17,200          | 293 lbs.     |          |
| 3 Phase | Remote Air-Cooled | KM-1340MRH  | 1401                               | 1251      | 28.7      | 1440 | 18.3        | N/A                       | 4.5                         | 20A                   | 13.4A                                  | 208-230V/60/1          | 17,600          | 289 lbs.     | ★        |
|         | Remote Air-Cooled | KM-1340MRH3 | 1364                               | 1185      | 28.7      | 1440 | 21.5        | N/A                       | 4.75                        | 20A                   | 9A                                     | 208-230V/60/3          | 21,800          | 289 lbs.     |          |

### KM Cube Dimensions\*



\* approximate size in inches, image not to scale

### Operating Limits

- Ambient Temp Range 45 - 100°F
- Water Temp Range 45 - 90°F
- Water Pressure 10 - 113 PSIG
- Voltage Range 187 - 253V

### Service

- Panels easily removed and all components accessible for service.
- Allow 6" (15cm) clearance at rear, sides, and top for proper air circulation and ease of maintenance/service.

### Plumbing

- Icemaker Water Supply Line: Minimum 3/8" Nominal ID Copper Water Tubing or Equivalent
- Icemaker Drain Line: Minimum 3/4" Nominal ID Hard Pipe or Equivalent
- Water-Cooled Model (Lines Must Be Independent of Icemaker)
  - Condenser Water Supply Line: Minimum 3/8" Nominal ID Copper Water Tubing or Equivalent
  - Condenser Drain/Return Line: Minimum 3/8" Nominal ID Hard Pipe (open drain system) or Copper Water Tubing (closed loop system) or Equivalent



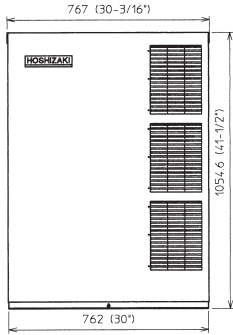
# KM-1340M\_H(3)

## MODULAR CRESCENT ICE CUBER

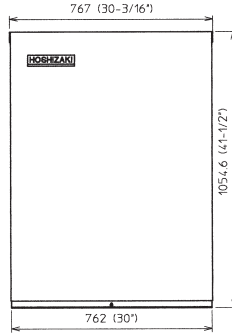


KM-1340M\_H(3)  
03/30/17  
Item # 13175

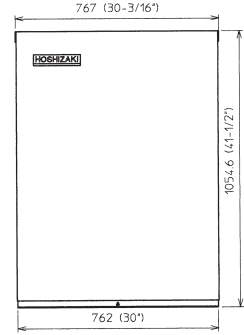
FRONT VIEW



AIR-COOLED

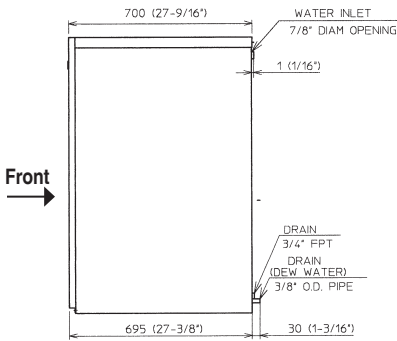


WATER-COOLED

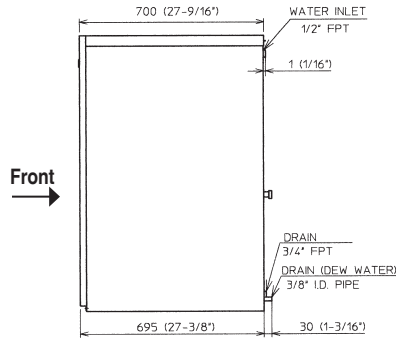


REMOTE AIR-COOLED

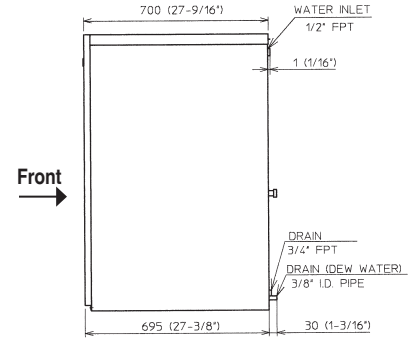
SIDE VIEW



AIR-COOLED

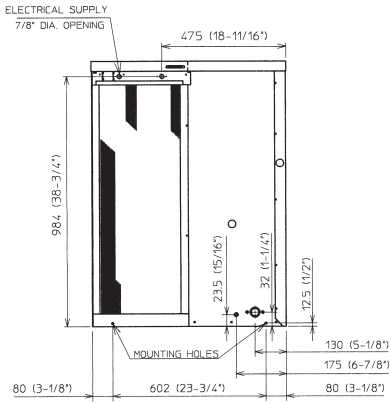


WATER-COOLED

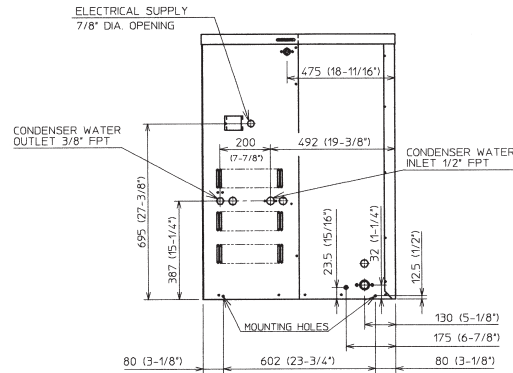


REMOTE AIR-COOLED

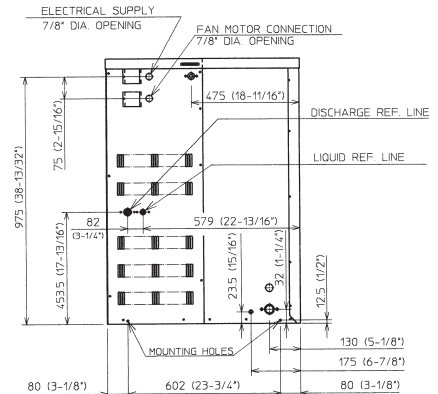
BACK VIEW



AIR-COOLED

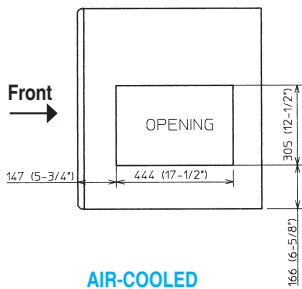


WATER-COOLED



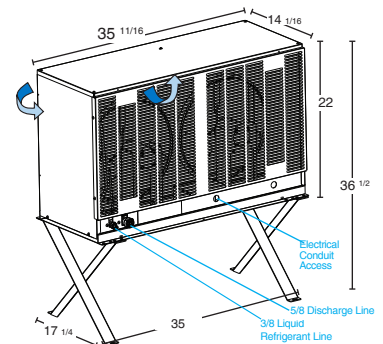
REMOTE AIR-COOLED

BOTTOM VIEW



AIR-COOLED  
WATER-COOLED  
REMOTE AIR-COOLED

URC-14F Remote Condenser (Sold Separately)  
(W x D x H) 35<sup>11/16</sup> x 14<sup>1/16</sup> x 36<sup>1/2</sup>  
For Use with KM-1340MRH(3)



Pre-Charged Tubing Kits  
(Sold Separately)  
20' R404-2068-2  
35' R404-3568-2  
55' R404-5568-2



Voltage supply for the URC Remote Condenser is supplied from the Ice Maker. No additional circuit is required.