



SPLIT DRAWER WARMERS

Models HDW-1R2, -2R2

Expand holding capacities with Hatco's Split Drawer Warmer. Ideal for casseroles, pot pies, rolls, nacho chips, potatoes, vegetables, poultry, meat, and desserts. Each Drawer features adjustable sliding vents and individual thermostatic controls to hold a wide variety of hot foods safely for peak serving periods.

FLEXIBILITY

Built of rugged stainless steel with durable nylon rollers, stainless steel slides, and heavy-duty hardware. Each drawer has a recessed on/off switch, thermostat, temperature monitor, and available with or without vent slides to control humidity.

Standard 20 $\frac{3}{4}$ " x 12 $\frac{3}{4}$ " x 2 $\frac{1}{2}$ " (527 mm x 324 mm x 64 mm) deep pans that lift straight out are supplied with each drawer.

The insulated top and sides of the Hatco Drawer Warmer provide maximum energy efficiency and the heating elements are warranted for two years.

Units come with 6' (1829 mm) cord, plug, and 4" legs.

QUALITY

The following features assure the finest performance for years to come:

- Each drawer has a recessed individual thermostatic control, temperature monitor, and on-off switch.
- Heavy-duty drawer slides with nylon rollers and adjustable sliding vents on each drawer.
- Standard 20 $\frac{3}{4}$ " x 12 $\frac{3}{4}$ " x 2 $\frac{1}{2}$ " (527 mm x 324 mm x 64 mm) pan supplied with each drawer that lifts straight out.
- Completely insulated individual cavities provide maximum energy efficiency.
- Blanket elements have a one-year warranty against burnout and breakage and drawer rollers and slides have a two-year warranty.
- Each drawer of the HDW-1R2 or HDW-2R2 will accommodate one 1/2 sheet pan.



Model HDW-1R2
Shown with optional no vent drawer.



Model HDW-2R2

BLANKET HEATING ELEMENTS ARE WARRANTED AGAINST BURNOUT OR BREAKAGE FOR ONE YEAR.

ALL DRAWER SLIDES AND ROLLERS ARE WARRANTED AGAINST BREAKAGE FOR TWO YEARS.



HATCO CORPORATION P.O. Box 340500 Milwaukee, WI 53234-0500 U.S.A.
(800) 558-0607 • (414) 671-6350 • Fax (800) 543-7521 • Int'l. Fax (414) 671-3976
www.hatcocorp.com • E-mail: equipsales@hatcocorp.com

Form No. HDW-Split Spec Sheet

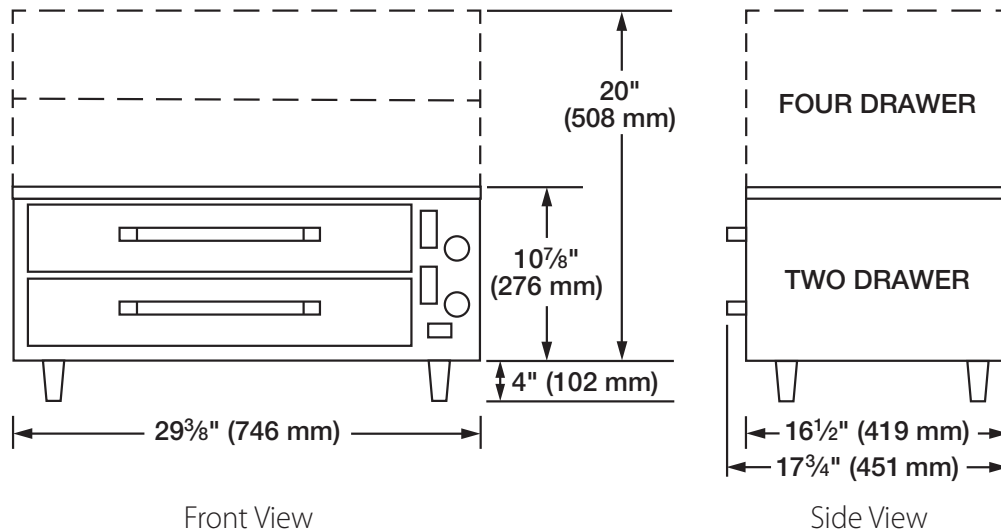
Printed in U.S.A.
October 2012



SPLIT DRAWER WARMERS

Models HDW-1R2, -2R2

Split Drawer Model



SPECIFICATIONS

Split Drawer

Model [▲]	Watts	Amps [★]	No. of Drawers	Shipping Weight
HDW-1R2	690	5.8	Two	97 lbs. (44 kg)
HDW-2R2	1290	10.8	Four	168 lbs. (77 kg)

▲ Split drawer units are standard with 4" (102 mm) legs.

★ Based on 120 volts.

DIMENSIONS

Split Drawer – Height shown without 4" standard legs (casters not available)

HDW-1R2: 29³/₈" W x 16¹/₂" D x 10⁷/₈" H (746 x 419 x 276 mm).

HDW-2R2: 29³/₈" W x 16¹/₂" D x 20" H (746 x 419 x 508 mm).

Note: If 4" legs are not used, the unit must be sealed to the counter (NSF requirement).

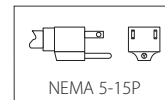
VOLTAGE

120 volts, single phase only, NEMA 5-15P plug.

CORD LOCATION

Back of unit, lower left corner.

PLUG CONFIGURATIONS



OPTIONS (NOT FOR RETROFIT)

- Designer Drawer Front Colors: Warm Red, Black, Gray Granite, White Granite, Navy Blue, Hunter Green, Antique Copper
- No vent drawer

ACCESSORIES

- Water/Spillage Pan (Splash Baffle recommended)
- Splash Baffle (With Water/Spillage Pan creates humidified environment)
- Stainless Steel Food Pans

PRODUCT SPECS - Drawer Warmer

The Drawer Warmers shall be a Hatco Model ... , as manufactured by the Hatco Corporation, Milwaukee, WI 53234, U.S.A.

With 24/7 parts and service assistance (U.S. and Canada only), the unit shall have ... drawer(s) and be rated at ... watts, ... amps. Freestanding model shall be equipped with a cord and plug.

The Drawer Warmer shall have a stainless steel exterior, interior, drawer slides, and assembly. Drawer rollers shall be durable nylon. The drawer assembly shall fully extend to allow removal of pans without tilting.

The unit shall be insulated top and sides of cabinet with individual power switch, thermostat and temperature monitor for each drawer.