



TABLE TYPE, ELECTRIC KETTLES

TILTING, "SPASH PROOF SERIES"

SELF-CONTAINED, 2/3 STEAM JACKETED,
3, 6 or 12 GALLONS (11, 23 or 45 LITERS)

MODELS: KET-3-T KET-12-T
 KET-6-T

Cleveland Standard Features

- Self-contained, easily installed — needs only an electrical hook-up
- Precise, consistent temperature control — less than $\pm 1^\circ\text{C}$ variance (ideal for simmering). Operating temperature range from 145° – 260°F (63°C – 127°C)
- "Splash Proof" solid state temperature and low water safety control system in a plug-in module, conveniently located, with L.E.D. indicators
- Kettle and all exterior surfaces are of Stainless Steel
- **Marine type tilting mechanism** prevents accidental tilting. Balanced design makes it easy to tilt. The tilt handle easily mounts on left or right side.
- Large pouring lip for chunky products
- Rear mounted Pressure/Vacuum Gauge and Pressure Relief Valve protected by Stainless Steel Bracket.
- Steam jacket permanently filled with treated distilled water, venting and / or refilling not required
- 50 psi steam jacket rating
- 50 psi Safety Valve mounted under kettle to avoid tampering
- No water gauge: avoid leaks
- Standard voltage is 208-240 volts, 60 Hz, 3 phase, 3 wire. Model KET-6 and KET-12 are field rewirable to single phase
- Splash proof element cover with a double gasket seal

Options & Accessories

- Stainless Steel equipment stand with drain drawer and splash shield (ST-28)
- Hot and cold (DPK) or cold only (SPK) water faucet with swing spout. Requires mounting bracket (FBKT)
- 316 Stainless Steel kettle liner for high acid food products (316-G)
- High wattages (HW) and special voltages (see back page)
- Cooking Baskets (BS)
- Food Strainers (FS)
- Measuring Strips (MS)
- Spray Hose (PRS-K)
- Lift Off Cover (CL)
- Cord and Plug Option, factory installed (CP)
- Kettle Markings (KM)
- Protective Control Panel (PCE)

ITEM NUMBER _____

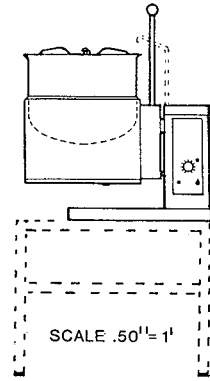
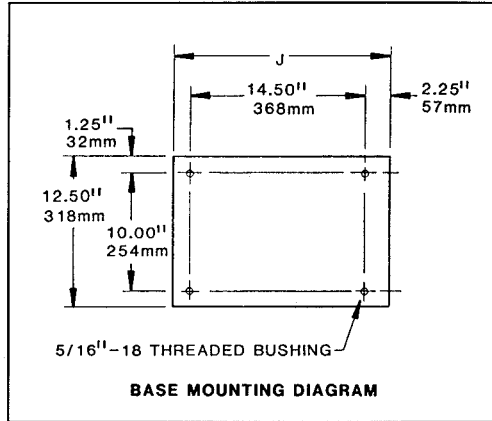
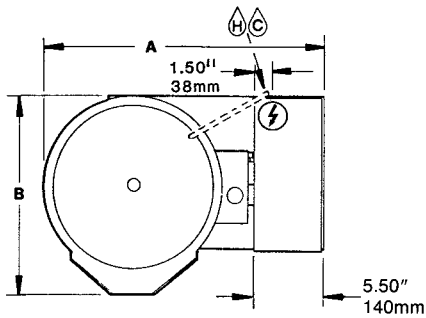
JOB NAME / NUMBER _____



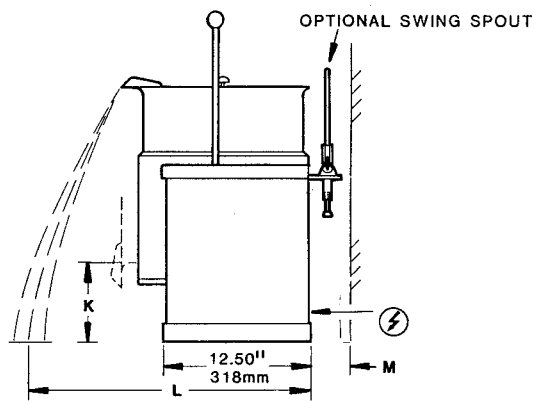
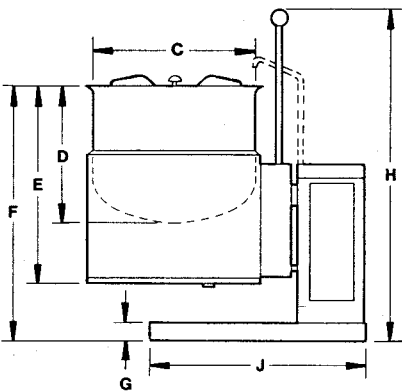
Short Form Specifications

Shall be CLEVELAND, electric kettle, Table Type, self-contained, tilting, Model KET - ____ - T; ____ gallons, ____ KW, ____ volt, ____ Hz, ____ - phase, 3 wire and single phase, 2 wire. 2/3 steam jacketed, type 304 Stainless Steel kettle and supports. Jacket rated at 50 psi with Safety Valve. Splash Proof Solid State Temperature ($\pm 1^\circ\text{C}$) and Safety Control System in plug-in Module including L.E.D. indicators. Marine Lock. Optional Lift Off Cover.

- CAPACITIES: (in 4 oz. servings, other sizes may be calculated)
 - 3 gallons / 11 liters 96 servings
 - 6 gallons / 23 liters 192 servings
 - 12 gallons / 45 liters 352 servings



SHOWN WITH OPTIONAL SUPPORT STAND



GAL	LITERS		A	B	C	D	E	F	G	H	J	K	L	M	N
3	11	IN mm	20.00 508	14.50 368	10.00 254	9.00 229	14.25 362	20.00 508	1.50 38	28.25 718	18.00 457	8.50 216	24.00 610	2.25 57	2.00 343
6	23	IN mm	23.50 597	16.75 425	13.38 340	11.00 279	16.50 419	22.75 578	1.50 38	28.50 724	18.00 457	6.94 176	26.50 673	2.75 70	2.00 343
12	45	IN mm	27.00 686	20.00 508	16.75 425	13.50 343	18.56 471	24.25 616	1.50 38	31.50 800	18.00 457	6.56 167	27.00 686	5.50 140	2.00 375

⚡ STANDARD WATTAGE

GALS. LITERS	208V			240V			416V			480V			
	KW	1PH	3PH	KW	1PH	3PH	KW	1PH	3PH	KW	1PH	3PH	
3	11	4.1	19.7	NA	5.4	22.7	NA	NA	NA	NA	NA	NA	
6	23	6.1	29.5	17.0	8.2	34.0	19.6	7.5	18.1	10.5	8.2	17.0	9.8
12	45	9.8	47.2	27.2	13.1	54.4	31.4	12.1	29.0	16.7	13.1	27.2	15.7

⚡ HIGH WATTAGE

GALS. LITERS	208V		240V			480V		380V					
	KW	1PH	3PH	KW	1PH	3PH	KW	1PH	3PH				
6	23	9.8	47.2	27.2	13.1	54.4	31.4	12.1	29.0	16.7	13.1	27.2	15.7
12	45	12.3	59.0	34.1	16.3	68.1	39.3	15.1	36.2	20.9	16.3	34.0	19.6

Consult factory for other voltages.

NOTES:

Cleveland Range reserves right of design improvement or modification, as warranted. Many regional, state and local codes exist and it is the responsibility of the owner and installer to comply with the codes. Cleveland Range equipment is built to comply with applicable standards for manufacturers. Included among those approval agencies are U.L., NSF, CGA, CSA, ETL and others.

WATER

3/8" O.D. copper tube or 1/2" N.P.T. pipe.

When ordered with optional faucet.

CLEARANCE

RIGHT = 0"
LEFT = 0"
REAR = See "M" on chart above.