



248 Series

Water And Ice Station

Project _____

Item _____

Quantity _____

CSI Section 11400

Approved _____

Date _____

248 Series: Water And Ice Station

Models

- 248 31.00" x 15.00" x 22.60" water and ice station



248

Standard Features

- Stainless steel top with raised die stamped opening
- One-piece stainless lift off cover with handle
- ABS plastic interior liner with covered corners
- 1" diameter drain plumbed out the bottom
- High-density environmentally friendly, Kyoto Protocol Compliant, Non ODP (Ozone Depletion Potential), Non GWP (Global Warming Potential) polyurethane foam throughout unit
- Exterior tank is made of galvanized steel
- Glass filler is 9.50" high, over a dies stamped drain opening fitted with chrome plated wire strainer
- One year parts and 90 day labor standard warranty

Options & Accessories

- Pitcher filler

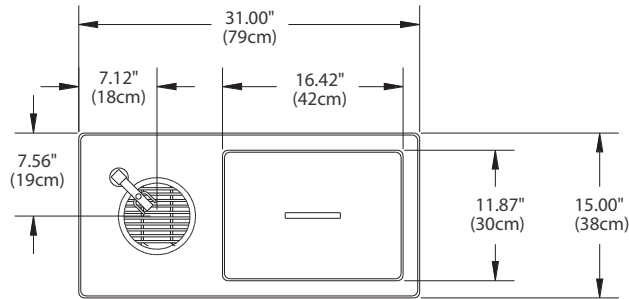
Specifications

Top is stainless steel. Top mounts a 9.50" (24cm) high glass filler over die-stamped drain opening fitted with chrome-plated wire strainer. Bin opening is die-stamped with 0.19" (0.5cm) raised edge, measures 10.50" x 15.13" (27cm x 38cm), has one-piece lift-off stainless steel cover.

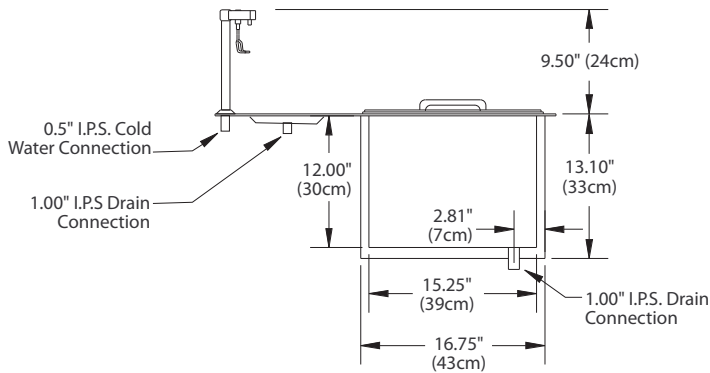
Bin liner is high-impact ABS plastic, has covered corners and is pitched to 1.00" (3cm) diameter drain. Sides and bottom of bin insulated with high-density environmentally friendly, Kyoto Protocol Compliant, Non ODP (Ozone Depletion Potential), Non GWP (Global Warming Potential) polyurethane. Bin holds 45 pounds of ice.

Exterior housing is 24-gauge galvanized steel.

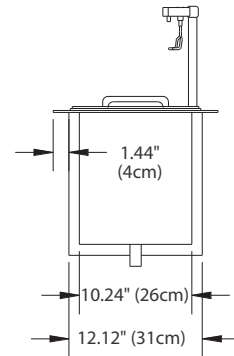




Plan View



Elevation View



Side View

Specifications						
Model	L	D	H	Cutout Size	Ice Capacity	Ship Weight
248	31.00" (79cm)	15.00" (38cm)	22.60" (57cm)	28.00" x 12.50" (71cm x 32cm)	45 lbs (20 kg)	28 lbs (13 kg)

Delfield reserves the right to make changes to the design or specifications without prior notice.