

**jetspray™**  
BY CORNELIUS

**MODEL J15**

15 GALLON SINGLE-FLAVOR  
VISUAL DISPLAY DISPENSER



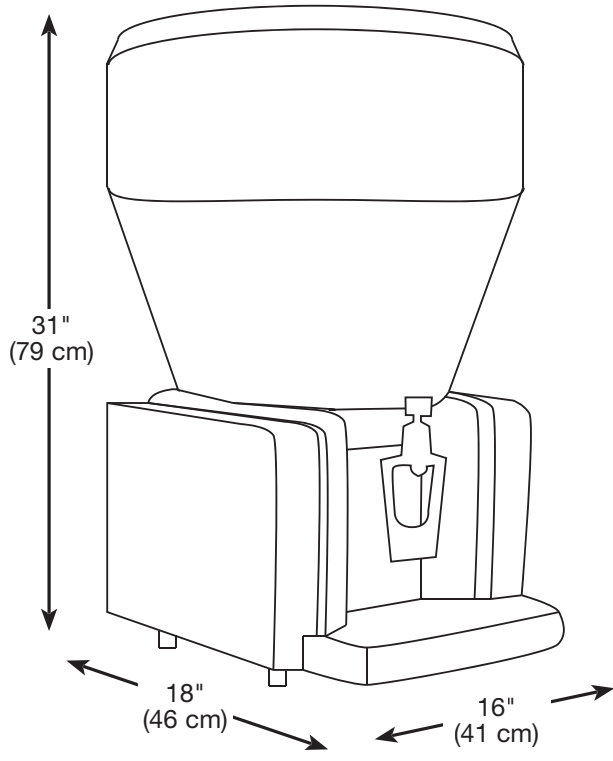
## **FEATURES:**

- Large 15 gallon (57 L) capacity
- Ideal for high volume, quick service operations
- Only 16" (40.5 cm) wide for a maximum profit from a minimum space
- Self-merchandising visual display creates impulse sales
- Available tall cup kit can accommodate cup size, up to 64 oz



CATG8623-0708

**JUICE**



PART NUMBER	DESCRIPTION
A8661	Cold Beverage Dispenser J15, Visual Single Bowl, 15 Gallon Spray Type, 115V / 60Hz

**TECHNICAL SPECIFICATIONS:**

BEVERAGE BOWL & COVER . . . . Transparent, virtually unbreakable LEXAN® resin

BOWL DIAMETER . . . . . 20" (50.8 cm)

CABINETRY . . . . . White plastic and stainless steel

BEVERAGE CAPACITY . . . . . 15 gal (57 L)

CUP CLEARANCE . . . . . 9"

REFRIGERATION . . . . . JetSpray 1/4 HP hermetically sealed system R134a

NET WEIGHT . . . . . 61 lb (28 kg)

SHIPPING WEIGHT . . . . . Bowl: 17 lb (8 kg)  
Base: 62 lb (28 kg)

CARTON VOLUME . . . . . Bowl: 7.2 cu ft (0.20 cuM)  
Base: 3.8 cu ft (0.11 cuM)

AGENCY LISTINGS . . . . .   



IN THE U.S.A. Ph: 800.238.3600 Fax: 763.488.4283

OUTSIDE THE U.S.A. Ph: 763.488.8200 Fax: 763.488.4283

101 Broadway Street West Osseo, MN 55369 www.cornelius.com