



NORDIC CCM1448 SERIES

MODULAR CUBED ICE MAKER



Ice maker shown on B1048SS bin

FEATURES:

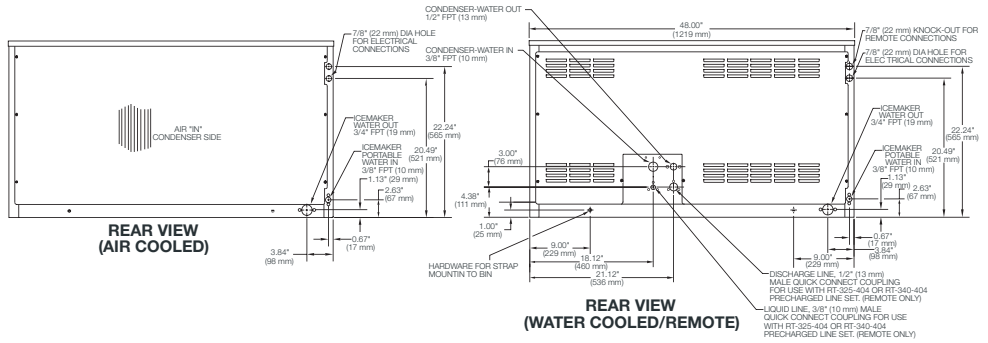
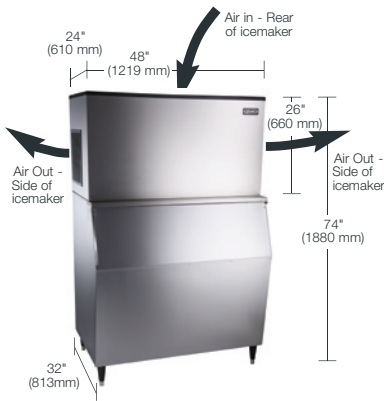
- Produces up to 1458 lbs. (663 Kgs.) of ice per day
- Constructed from corrosion-resistant stainless steel
- Built in Agion Antimicrobial product protection effective against mold, mildew and fungus
- Ultra-low profile – only 26 inches (660 mm) tall
- Harvest assist reduces utility consumption
- Choice of full or half cube size
- No air filter to clean or replace

Protected by Agion



Nature's antimicrobial

Dimensions and Air Flow



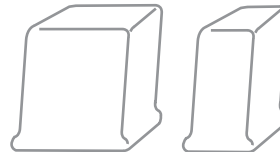
OPERATING LIMITS

Ambient Temp. Range Air & Water	50° - 110°F (10° - 43°C)
Water Temp. Range	40° - 100°F (4.5° - 38°C)
Water Pressure Ice Maker Water in	Min. 20 psi (1.4 bar)
	Max. 60 psi (6.9 bar)
Condenser Inlet Water (Water cooled only)	Min. 20 psi (1.4 bar)
	Max. 60 psi (6.9 bar)

MODEL NO.	Cond. Unit	Ice Prod. per 24 hrs. at 70° Air / 50° Water lbs. (Kgs.)	Ice Prod. per 24 hrs. at 90° Air / 70° Water lbs. (Kgs.)	Water Used-Gals. (Ltrs.) per 100 lbs. of ice 90° Air / 70° Water		Kilowatts Used per 100 lbs. of ice 90° Air / 70° Water	Heat Rejection (Btuh)	Electrical Rating	Min. Circuit Amp.
				Ice Prod. Use	Cond. Use				
CCM1448A*2	Air	1466 (666)	1122 (510)	21.3 (81)	n/a	5.5	22590	208-230/60/1	19.6
CCM1448W*2	Water	1397 (635)	1187 (540)	22.2 (84)	153.4 (581)	4.9	22529	208-230/60/1	15.6
CCM1448R*2	Remote	1458 (663)	1134 (515)	20.0 (76)	n/a	5.6	23085	208-230/60/1	23.3
CCM1448AF5	Air	1263 (574)	901 (410)	22.2 (84)	n/a	6.2	19348	230/50/1	20.8
CCM1448WF5	Water	1326 (603)	1107 (503)	21.1 (80)	177.0 (670)	4.5	20269	230/50/1	15.4
CCM1448RF5	Remote	1142 (519)	1002 (455)	18.1 (69)	n/a	6.1	21330	230/50/1	18.1

MODEL NO.	Description	Shipping Weight lbs. (Kgs.)
RC14002	Remote Condenser for 1 model CCM1484R (208-230/50-60/1 voltage)	100 (46)
RT25	25 ft. (7.6m) Precharged Tubing Kit for R-404A models	13 (6)
RT40	40 ft. (12m) Precharged Tubing Kit for R-404A models	18 (8)
RT60	60 ft. (18.2m) Precharged Tubing Kit for R-404A models	26 (12)

See Bin specification sheet for information on ice storage bins.
 * Represents cube size. For full cube substitute an "F", for half cube substitute an "H".
 Please note: air-cooled units require 6" (152 mm) clearance for air intake and exhaust.



NUMBER OF WIRES 3
 MAX. FUSE SIZE 20, 25 or 30
 SHIPPING WEIGHT LBS (KGS.) . . 300 (136)

Cube Size:	Width	Depth	Height
Full	7/8" (22mm)	7/8" (22mm)	7/8" (22mm)
Half	3/8" (10mm)	7/8" (22mm)	7/8" (22mm)

AGENCY LISTINGS



IN THE U.S.A. Ph: 800.238.3600 Fax: 763.488.4283
 OUTSIDE THE U.S.A. Ph: 763.488.8200 Fax: 763.488.4283
 101 Broadway Street West Osseo, MN 55369 www.cornelius.com