



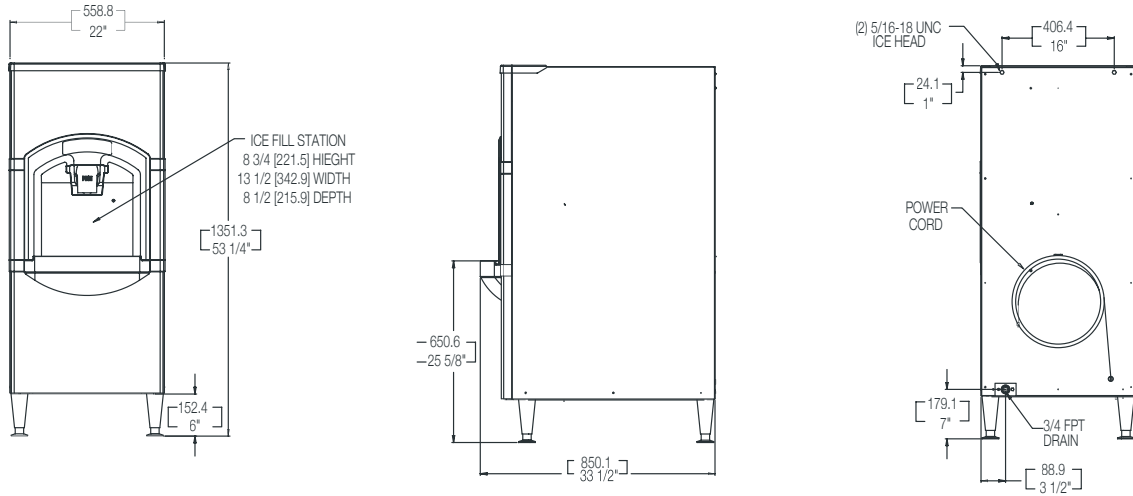
NORDIC CHD22 SERIES

HOTEL ICE DISPENSER




FEATURES:

- Stores 120 lbs. (55 Kgs.) of ice
- Constructed from corrosion-resistant 300 series stainless steel
- Only 22 inches (558 mm) wide
- Only 76.25 inches (1936 mm) tall with compatible CCM series ice machine
- Oversized bucket fill area



MODEL NUMBER	VOLTAGE RATING	DISPENSER OPERATED BY:	ELECTRICAL RATINGS
CHD22P1	60 Hz	Push	115/60/1
CHD22P5	50 Hz	Push	230/50/1

Note #1: Model CHD22 Series dispensers accept all 22" CCM Series Ice Makers
 Note #2: CHD22 Series dispensers do not require an Adaptor and Bin Level Kit

- ARI BIN STORAGE CAPACITY . . . 120 (55)
- NUMBER OF WIRES 2
- MIN. CIRCUIT AMPACITY 2.1
- MAX. FUSE SIZE 15
- SHIPPING WEIGHT LBS (KGS.) . . 199 (91)
- AGENCY LISTINGS 

Dimensions



© 2007 IMI CORNELIUS

IN THE U.S.A.
 Ph: 800.238.3600
 Fax: 763.488.4283

OUTSIDE THE U.S.A.
 Ph: 763.488.8200
 Fax: 763.488.4283

101 Broadway Street West
 Osseo, MN 55369
 www.cornelius.com



For more information or to place an order, contact your sales representative or authorized distributor.