

# BUNN®

## ICB-DV

Achieve a variety of flavor profiles and batch options with programmable Digital Brewer Control

10" x 26.2" x 19.9"

6.1  
(236 milliliters servings)



- Large 3gal (11.4L) tank provides back-to-back brewing capacity at 120/208-240V applications
- Brews into 2.5 to 3.8L (84 to 128oz) airpots and 3.8 and 5.7L (1 to 1.5gal) baseless ThermoFresh® servers for easy transport of coffee to other locations
- BrewWISE® intelligence with pre-infusion and pulse brew for maximum flavor extraction
- Compatible with BUNNlink®
- Digital display in English/Spanish for easier programming and control. Advertising messages and machine status also displayed. Display capable of showing English or Metric measurements.
- Dual voltage adaptable (Can operate at 120V/15 amp or 120/208-240V/20 amp)
- Easy pulse interface allows automatic programming of pulse routine
- Energy-saver mode reduces tank temperature during idle periods
- Includes overlay kit for customization of brewer interface
- Three brew buttons allow for 3 separate brewing profiles. Two programmable batch switches allow full and half batch brewing.

### Related products

- 20138.1000 Tea & Coffee Paper Filters 500/cs
- 39000.0001 WATER FILTER, EQHP-10L
- 39000.0004 WATER FILTER, EQHP-10
- 39795.0003 STAND ASSY, TF SERVER BLK
- 13041.0001 2.5L Push Button Airpot(1pk)
- 13041.0101 2.5L Push Button Airpot(6pk)
- 32125.0000 2.5L Lever Action Airpot (1pk)
- 32125.0100 2.5L Lever Action Airpot (6pk)
- 32130.0000 3.0L Lever Action Airpot (1pk)
- 32130.0100 3.0L Lever Action Airpot (6pk)



Product No	Channel	Water Access	Electrical (Voltage)	UPC
36600.0004	Amusement and Leisure College and University Convenience Store Full Service Healthcare Lodging and Hospitality Office System Quick Serve Restaurant Specialty	Plumbed	120	72504117836
Coffee Server Type	Coffee Capacity Range	Brewer Type	Finish	Number of Wires (+GND)
Airpot Thermal Server	Medium	Automatics Thermal Systems	Black	2
Cord Attached	Plug Type	Additional Features	2D Format CAD Available	Minimum Input Pressure
Yes	NEMA 5-15P	BUNNLINK	Yes	20 PSI

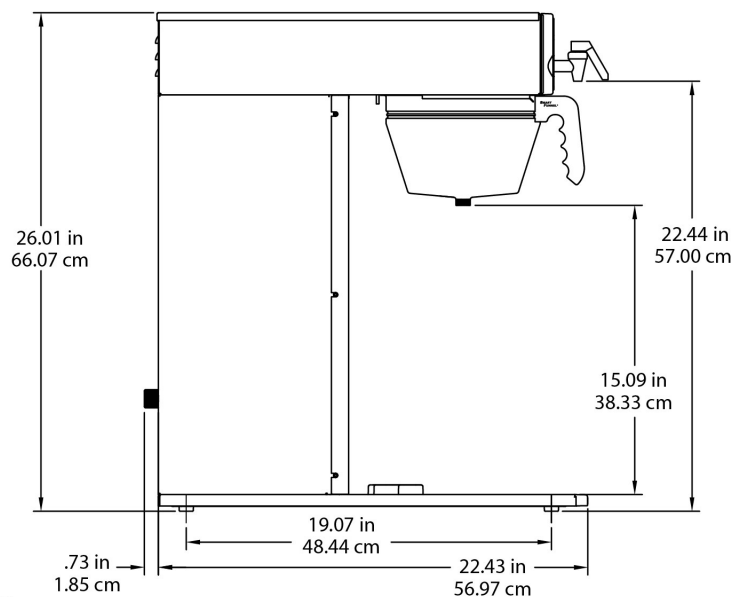
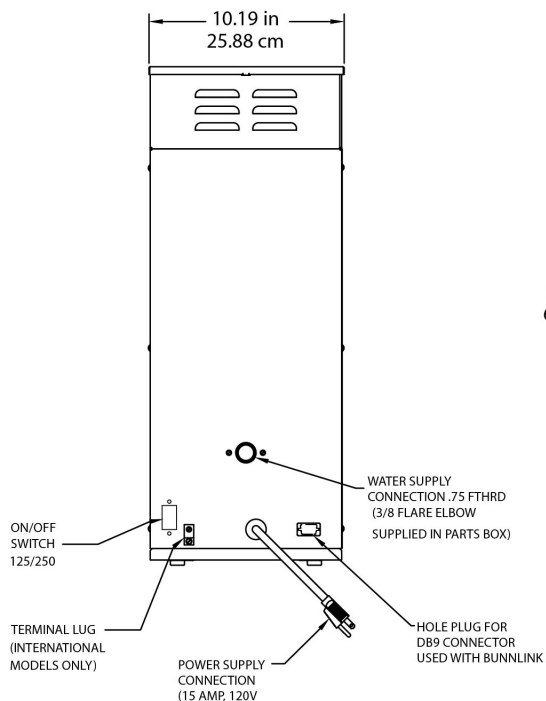
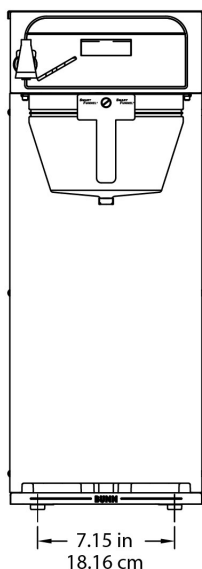
Compatible

Maximum Input Pressure	Inlet Water Fitting	Required Water Flow	BrewWISE	Digital Brewer Control
90 PSI	3/8" Male Flare Fitting	0.8 GMI	Yes	Yes

Faucet Location	Funnel Type	Machine Depth	Machine Width	Machine Height
None	Smart Funnel	19.9 "	10 "	26.2 "

**Shipping Weight**

48.5 lb



## Electric & Capacity

Electrical Configuration Option  
Volts-Factory Wired: 120

Phase-Factory Wired: 1  
Watts-Factory Wired: 1700  
Hertz-Factory Wired: 60  
Amps-Factory Wired: 14

Volts at Opt 1 Wiring:120  
Watts at Opt 1 Wiring:1,700  
Amps at Opt 1 Wiring:14  
Coffee Capacity (Servings/Hour):2.7

Electrical Configuration Option 1  
Volts at Opt 2 Wiring:120/208  
Watts at Opt 2 Wiring:2,900  
Amps at Opt 2 Wiring:13.8  
Coffee Capacity (Servings/Hour):4.6

Electrical Configuration Option 2  
Volts at Opt 3 Wiring:120/240  
Watts at Opt 3 Wiring:4,050  
Amps at Opt 3 Wiring:16.8  
Coffee Capacity (Servings/Hour):6.1

*To see illustrated parts manuals, visit [bunn.com/support/manuals](http://bunn.com/support/manuals)*

BUNN® reserves the right to change specifications and product design without notice. Such revisions do not entitle the buyer to corresponding changes, improvements, additions, or replacements for previously purchased equipment. For most current specifications and other info visit [bunn.com](http://bunn.com). All dimensions shown in inches.