



BEVERAGE-AIR

3779 Champion Blvd., Winston-Salem, NC 27105
1-888-845-9800 Fax# 1-336-245-6453
<http://www.Beverage-Air.com>

Commercial Refrigeration Equipment General Specification

UCF-SERIES UNDERCOUNTER UNITS

Versatile, compact (29" deep) models for undercounter and worktop applications for frozen storage of food products. Height is 34-1/2".

CABINET CONSTRUCTION

Heavy duty construction includes exterior stainless steel on front, sides, door(s) and grille. Cabinet back and bottom are galvanized steel. Interior liner is made of corrosion resistant anodized aluminum. Interior thermometer is standard.

Cabinets are insulated with 2" thick foamed-in-place polyurethane insulation. Sub-top insulated with 1-1/2" foamed-in-place polyurethane insulation. Doors are mounted to cabinet on self-closing, cartridge style hinges with 120° stay open feature. Door openings include low voltage, anti-condensate heaters. Doors are equipped with a snap-in-place vinyl magnetic gasket for positive seal. Convenient, double pull style door handle is made of black anodized aluminum. 6" high casters are standard, 2 include brakes. An 8' cord set is provided with 115 volt models. Cabinet interior standard with 2 steel wire epoxy coated shelves per section.

REFRIGERATION

Forced air refrigeration systems use capillary tube to meter refrigerant. Automatic electric defrost is standard. Automatic (non-electric) condensate evaporator is provided.

ELECTRICAL

Units wired at factory and ready for connection to a 115/60/1 phase, 15 amp dedicated outlet. 8' long cord and plug set included.

SPECIAL FEATURES

- Cartridge style door hinges provides positive seal & eliminates door sagging issues (excludes some special units).
- Optional 6" legs or 3" casters available

Item No. _____
Quantity _____

29" DEPTH UNDERCOUNTER FREEZER FOOD PREPARATION SERIES

MODELS:
UCF27A
UCF48A



UCF27A



UCF48A

ELECTRICAL CONNECTION

Units pre-wired at factory and include 8' long cord and plug set.



115/60/1
NEMA-5-15P

Available From:



Model Specified _____

Store# _____

Location _____

Quantity _____



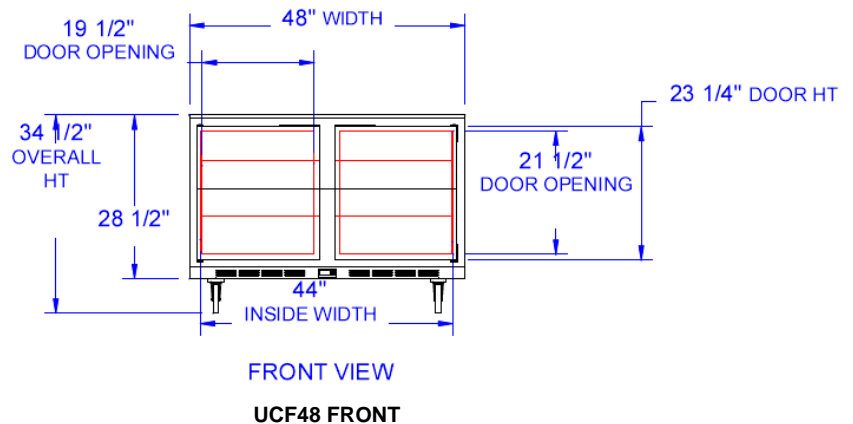
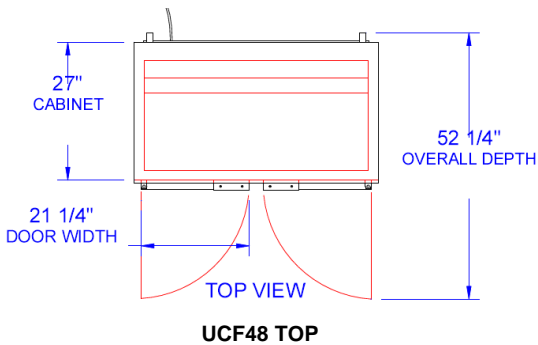
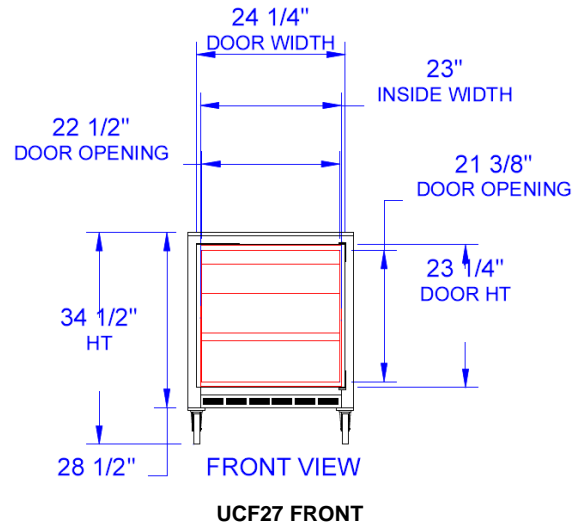
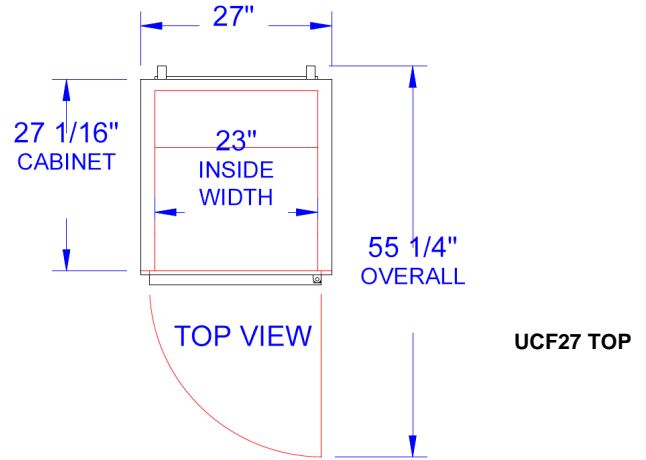
BEVERAGE-AIR

**Standard Undercounter
Freezer Cabinets**

Models: UCF27A / UCF48A

| MODEL | UCF27A | UCF48A |
|--|-------------------|-------------------|
| EXTERNAL DIMENSIONAL DATA | | |
| Length Overall (inches) Length Overall (mm) | 27" 686 | 48" 1219 |
| Depth Overall (inches) - Less handle w/bumpers Depth Overall (mm) - Less handle w/bumpers | 30 7/8" 784 | 30 3/4" 781 |
| Height Overall— on 6" casters (inches) Height Overall—on 6" casters (mm) | 34 1/2" 876 | 34 1/2" 876 |
| Depth with Door Open 90 ° | 55 1/4" | 52 1/4" |
| Clear Door Opening (inches) | 22 1/2" x 21 1/2" | 19 1/2" x 21 1/2" |
| Number of doors | 1 | 2 |
| INTERNAL DIMENSIONAL DATA | | |
| NET Capacity (cubic ft.) NET Capacity (Liters) | 7.3 207 | 13.9 394 |
| Internal Length Overall (inches) Internal Length Overall (mm) | 23" 584 | 44" 1118 |
| Internal Depth Overall (inches) Internal Depth Overall (mm) | 18" 457 | 20" 508 |
| Internal Height Overall (inches) Internal Height Overall (mm) | 23" 584 | 23" 584 |
| Number of shelves | 2 | 4 |
| ELECTRICAL DATA | | |
| Full Load Amperes 115/60/1 | 6.0 | 7.0 |
| ENERGY CONSUMPTION (KWH) | | |
| | 7.5 | 10.9 |
| REFRIGERATION DATA | | |
| Horsepower | 1/4 | 1/3 |
| WEIGHT DATA | | |
| Gross Weight (Crated lbs) | 180 | 245 |
| Gross Weight (Crated kg) | 82 | 111 |

PLAN VIEWS



BEVERAGE-AIR® CORPORATION

3779 Champion Blvd. • Winston-Salem, NC 27105 USA • (336) 245-6400 • Fax (336) 245-6453 • (888) 845-9800 • www.beverage-air.com

Specifications are subject to change without prior notice. 06/10