



STAINLESS STEEL

REGALINE SINKS

One & Two Compartments without Drainboards



"930" and "900" Series shown



"940" Series shown

Item #: _____ Qty #: _____
 Model #: _____
 Project #: _____

FEATURES:

Tile edge for ease of installation.
 One piece **Deep Drawn** sink bowls with splash.
 Featuring the single bowl unit design.
 All sink bowls have a large liberal 3" radius.
 Placement of the welded leg assembly ensures stability and furnishes direct support of the column load requirement for the entire sink unit.
 "940" series is supplied with front and rear cross brace.

CONSTRUCTION:

All TIG welded.
 Welded areas blended to match adjacent surfaces and to a satin finish.
 Gussets welded to a die-embossed reinforcing channel.

Spec-Line: 940 Series - 11" High Splash.
Standard: 930 Series - 8" Splash.
Super Saver: 900 Series - 8" Splash.

MATERIAL:

940 Series: 14 gauge type 304 stainless steel.
930 Series: 16 gauge type 304 stainless steel.
900 Series: 18 gauge type 304 stainless steel.

- LEGS:**
- 1 5/8" diameter tubular stainless steel.
 - Stainless steel gussets & channels.
 - Stainless Steel 1" adjustable bullet feet.

YES! It's SeaLess!

BOWL SIZE	O.A. LENGTH (inches) (mm)	# of Compartment	SPEC-LINE 940 Series		STANDARD 930 Series		SUPER SAVER 900 Series		Cubic Feet	
			14 Ga. 304 S/S 14" Water Level		16 Ga. 304 S/S 12" Water Level		18 Ga. 304 S/S 12" Water Level			
			MODEL #	Approx. Wt. (lbs.)	MODEL #	Approx. Wt. (lbs.)	MODEL #	Approx. Wt. (lbs.)		
16 x 20 (406 x 508)	25"	635	One	94-1-24	77	93-1-24	66	9-1-24	49	20
	44"	1118	Two	94-2-36	109	93-2-36	76	9-2-36	66	20
20 x 20 (508 x 508)	29"	737	One	94-21-20	92	93-21-20	60	9-21-20	61	20
	52"	1321	Two	94-22-40	116	93-22-40	80	9-22-40	79	23
18 x 24 (457 x 610)	27"	686	One	94-61-18	95	93-61-18	78	9-61-18	69	44
	48"	1207	Two	94-62-36	165	93-62-36	154	9-62-36	129	56
24 x 24 (610 x 610)	33"	838	One	94-41-24	93	93-41-24	85	9-41-24	85	23
	60"	1524	Two	94-42-48	174	93-42-48	145	9-42-48	145	31
20 x 28 (508 x 711)	29"	737	One	94-81-20	123	93-81-20	97	9-81-20	97	27
	52"	1321	Two	94-82-40	185	93-82-40	160	9-82-40	160	45
				14" Water Level 17" Flood Level		12" Water Level 15" Flood Level		12" Water Level 15" Flood Level		



Customer Service Available To Assist You **1-800-645-3166** 8:30 am - 8:00 pm E.S.T.

Email Orders To: customer@advancetabco.com. For Smart Fabrication™ Quotes, Email To: smartfab@advancetabco.com or Fax To: 631-586-2933

NEW YORK
 Fax: (631) 242-6900

GEORGIA
 Fax: (770) 775-5625

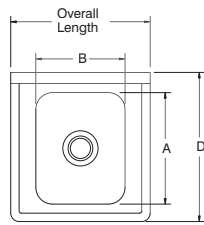
TEXAS
 Fax: (972) 932-4795

NEVADA
 Fax: (775) 972-1578

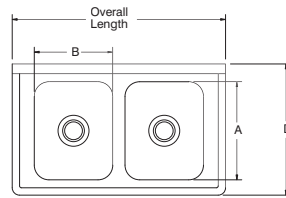
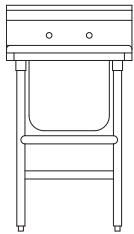
DIMENSIONS and SPECIFICATIONS

TOL Overall: ± .500"
Interior: ± .250"

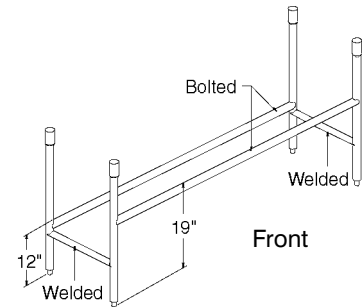
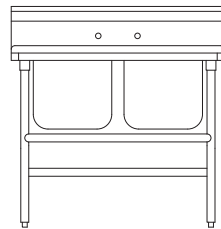
ALL DIMENSIONS ARE TYPICAL



1 Compartment



2 Compartment

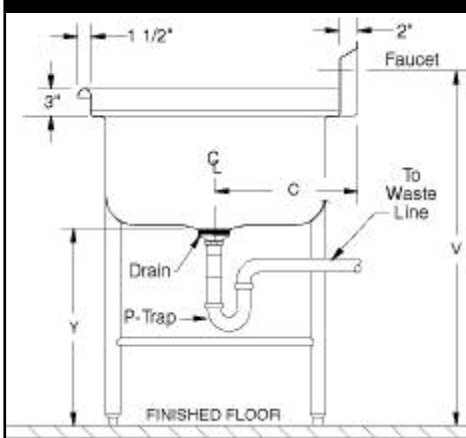


940 Series Cross Bracing

DESCRIPTION

BOWL (SIZE)	# of Compart.	Overall Length	Recommended Use	A	B	C	D	940 SERIES					900 & 930 SERIES				
								V	W	X	Y	Z	V	W	X	Y	Z
16x20	One	25"	DISH SINKS	20"	16"	13 5/8"	27"	38"	11"	14"	20"	45"	38"	8"	12"	22"	42"
	Two	44"															
20x20	One	29"	DISH & POT SINKS	20"	20"	13 5/8"	27"	38"	11"	14"	20"	45"	38"	8"	12"	22"	42"
	Two	52"															
18x24	One	27"	POT & PAN SINKS	24"	18"	15 5/8"	31"	38"	11"	14"	20"	45"	38"	8"	12"	22"	42"
	Two	48"															
24x24	One	33"	POT SINKS	24"	24"	15 5/8"	31"	38"	11"	14"	20"	45"	38"	8"	12"	22"	42"
	Two	60"															
20x28	One	29"	PAN SINKS	28"	20"	17 5/8"	35"	38"	11"	14"	20"	45"	38"	8"	12"	22"	42"
	Two	52"															

PLUMBING ROUGH-IN



MECHANICAL:

- Supply is 1/2" IPS hot & cold.
- Faucet holes on 8" centers.
- Faucets are not included (**see accessories**).
- Waste drains are 1 1/2" IPS S/S basket type, located in center of sink bowl, and are included.



SECTION

