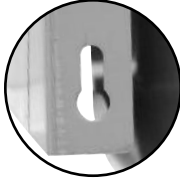




STAINLESS STEEL  
**HAND SINKS**  
**ELECTRONIC OPERATED FAUCETS**



Keyhole Bracket for easier installation and greater stability.



**Item #:** \_\_\_\_\_ **Qty #:** \_\_\_\_\_  
**Model #:** \_\_\_\_\_  
**Project #:** \_\_\_\_\_



7-PS-51



7-PS-61



7-PS-81



7-PS-91

**FEATURES:**

One piece **Deep Drawn** sink bowl design.  
 Sink bowl is 10" x 14" x 5".  
 "Hands Free" Electronic Faucet makes use of infrared technology to sense the user's presence and immediately turn on water supply that is pre-mixed to desired temp.  
 Standard Electronic gooseneck faucet is splash mounted and comes complete with AC/DC control module, sensor, 4 "AA" batteries and spout.  
 All sink bowls have a large liberal radii with a minimum dimension of 2" and are rectangular in design for increased capacity.  
 Keyhole wall mount bracket.  
 Stainless steel basket drain 1 1/2" IPS.

**Specific Features:**

**7-PS-51 & 7-PS-81** lever operated drain and built-in overflow with plastic overflow tube and spring clamps. P-Trap is 1 1/2".  
**7-PS-81** towel dispenser with hinged towel box. Unit uses standard C-fold towels. Liquid Soap dispenser.  
**7-PS-91** pedestal skirt.

**CONSTRUCTION:**

All TIG welded.  
 Welded areas blended to match adjacent surfaces and to a satin finish.  
 Die formed Countertop Edge with a 3/8" No-Drip offset.  
 One sheet of stainless steel - No Seams.

**MATERIAL:**

Heavy gauge type 304 series stainless steel.  
 Electronic Faucet solid brass, chrome plated.  
 Wall mounting bracket is stainless steel and of offset design.  
 All fittings are brass / chrome plated unless otherwise indicated.

**MECHANICAL:**

Electronic faucet is 1/2" male IPS thread.  
**K-175** Replacement Electronic Operated Faucet.

**Standard Faucet conforms to NSF 61 Standard 9.  
 Faucets Are AB1953 Lead Free Compliant.**

For Replacement Faucets & Upgrades, Drains & Accessories visit our website at [www.advancetabco.com](http://www.advancetabco.com)



**Customer Service Available To Assist You 1-800-645-3166 8:30 am - 8:00 pm E.S.T.**  
 Email Orders To: [customer@advancetabco.com](mailto:customer@advancetabco.com). For Smart Fabrication™ Quotes, Email To: [smartfab@advancetabco.com](mailto:smartfab@advancetabco.com) or Fax To: 631-586-2933

**NEW YORK**  
 Fax: (631) 242-6900

**GEORGIA**  
 Fax: (770) 775-5625

**TEXAS**  
 Fax: (972) 932-4795

**NEVADA**  
 Fax: (775) 972-1578

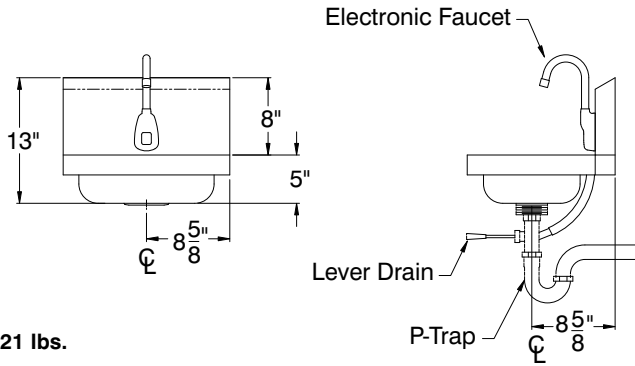
# DIMENSIONS and SPECIFICATIONS

TOL Overall: ± .500" Interior: ± .250"

FITTINGS SUPPLIED AS SHOWN

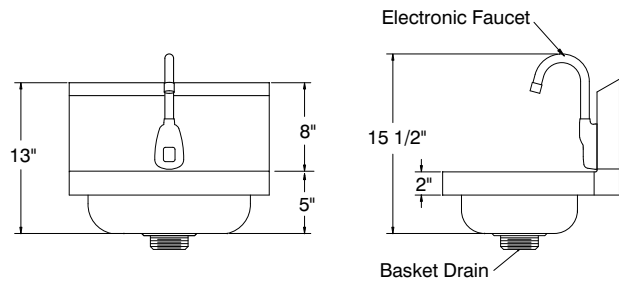
ALL DIMENSIONS ARE TYPICAL

7-PS-51



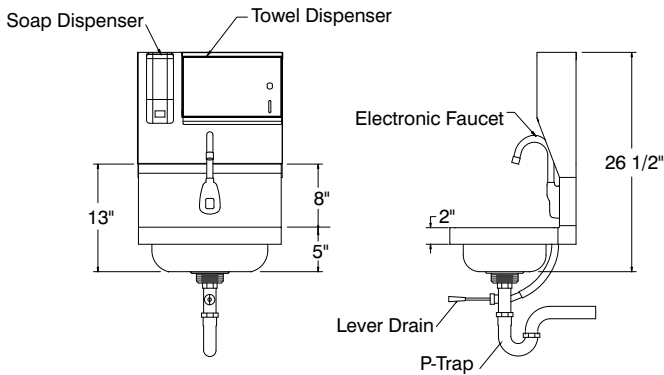
21 lbs.

7-PS-61



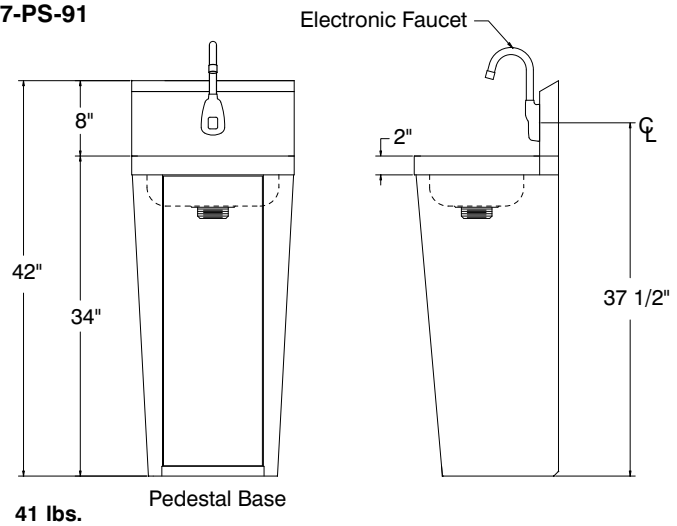
19 lbs.

7-PS-81



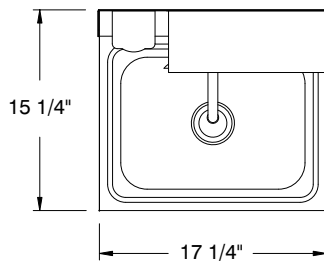
32 lbs.

7-PS-91

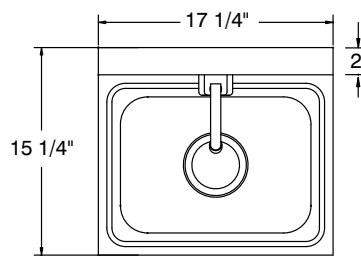


41 lbs.

TOP VIEW for 7-PS-81



TOP VIEW for 7-PS-61,  
7-PS-81 & 7-PS-91



Sink Bowl 10" x 14" x 5"

