



STAINLESS STEEL

COUNTERTOP INSTALLED HAND SINKS WITH BUILT-IN PAPER TOWEL DISPENSER & DECK MOUNTED SOAP DISPENSER



7-PS-42 Shown



7-PS-43 Shown



7-PS-43 Shown Above
Installed in a Work Table

Item #:	_____	Qty #:	_____
Model #:	_____		
Project #:	_____		

FEATURES:

One piece **Deep Drawn** sink bowl design.
Sink bowls have a large liberal radii with a minimum dimension of 2" and are rectangular in design for increased capacity.
Both units include Deck Mounted Liquid Soap Dispenser & Stainless steel basket drain 1-1/2" IPS.

Specific Features:

Undermount towel dispenser pivots forward for ease of reloading.
Standard "C" Fold towels extracted directly from front of towel dispenser.
7-PS-42 & 7-PS-42A includes K-52 deck mounted, 4" O.C. chrome plated faucet & furnished with aerator.
7-PS-43 includes Knee-Valve operation & Gooseneck Spout.

CONSTRUCTION:

All TIG welded.
Welded areas blended to match adjacent surfaces and to a satin finish.
Die formed Countertop Edge with a No-Drip offset.
One sheet of stainless steel - No Seams.

MATERIAL:

Heavy gauge type 304 series stainless steel.
All fittings are brass / chrome plated unless otherwise indicated.

MECHANICAL:

Faucet supply is 1/2" IPS male thread hot and cold.

For Factory Installation – Add TA-34A

Model #	Overall Size W x L	Bowl Size	Approx. Weight	Approx. Cu. Ft.
7-PS-42	18-1/4" x 17-1/2"	10" x 14" x 5"	30 lbs.	2
7-PS-42A	16" x 12"	10" x 14" x 5"	30 lbs.	2
7-PS-43	18-1/4" x 17-1/2"	10" x 14" x 5"	36 lbs.	2

All Faucets Meet Federal Lead Free Standards.

For Replacement Faucets & Upgrades, Drains & Accessories
Visit our website at www.advancetabco.com



Customer Service Available To Assist You **1-800-645-3166** 8:30 am - 8:00 pm E.S.T.

For Orders & Customer Service:

Email: customer@advancetabco.com or Fax: 631-242-6900

For Smart Fabrication™ Quotes:

Email: smartfab@advancetabco.com or Fax: 631-586-2933

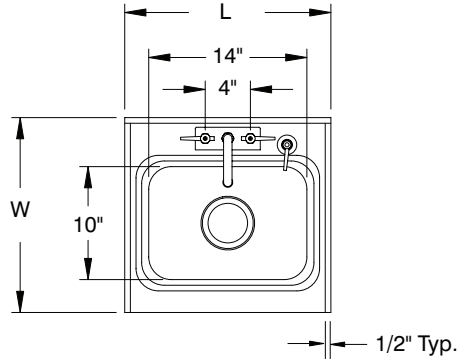
DIMENSIONS and SPECIFICATIONS

TOL Overall: ± .500" Interior: ± .250"

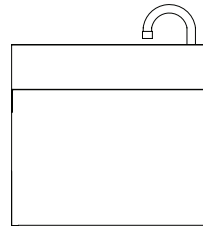
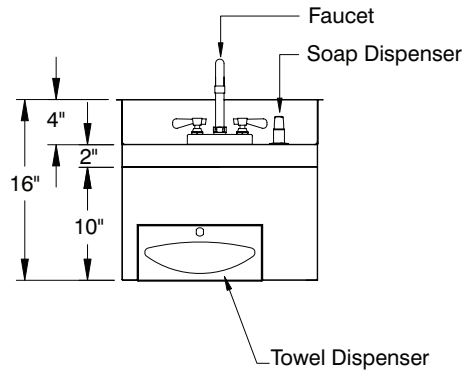
FITTINGS SUPPLIED AS SHOWN

ALL DIMENSIONS ARE TYPICAL

7-PS-42 & 7-PS-42A

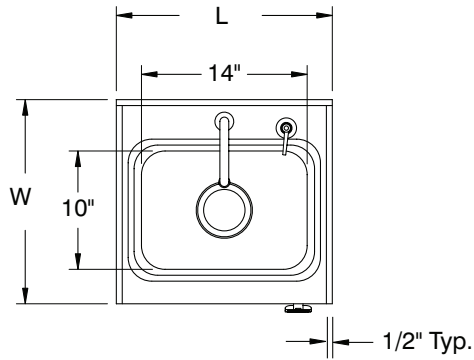


Countertop Opening Not to Exceed
17 5/8" (Front to Back) x 16 5/8" (Left to Right)

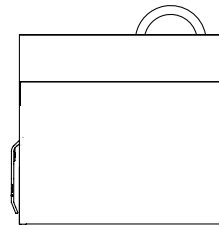
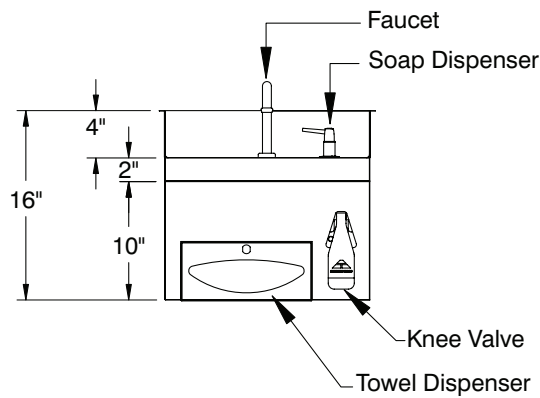


30 lbs.

7-PS-43



Countertop Opening Not to Exceed
17 5/8" (Front to Back) x 16 5/8" (Left to Right)



36 lbs.

