



Service **Manual**

Le service Manual

T1 Gas Braising Pan
T1 Casserole de braisage de gaz

**FOR MODELS BUILT
AFTER MAY 2006:
POUR DES MODÈLES
ÉTABLIS APRÈS MAI 2006:**

SGL-30-T1
SGL-40-T1



 **Cleveland**

1333 East 179th St., Cleveland, Ohio, U.S.A. 44110
Ph: 216.481.4900 Fx: 216.481.3782
www.clevelandrange.com



FOR THE USER

FOR YOUR SAFETY

Do not store or use gasoline or any other flammable liquids and vapours in the vicinity of this or any other appliance.

WARNING: Improper installation, adjustment, alteration, service or maintenance can cause property damage, injury or death. Read the installation and operating instructions thoroughly before installing or servicing this equipment.

IMPORTANT: Post in a prominent location, instructions to be followed in the event the user smells gas. This information shall be obtained by consulting your local gas supplier.

The following points are to insure the safe installation and operation of this equipment:

- Insure all gas and electrical supplies match rating plate and electrical stickers.
- Keep appliance area free and clear from combustibles.
- Observe all clearance requirements.
- All service must be performed by a qualified Cleveland Range Technician.
- Do not obstruct the flow of combustion and ventilation air.

NOTICE: When this appliance is installed with casters, it must be installed with the casters supplied, a connector complying with either ANSI Z21.69 • CSA 6.16 and a quickdisconnect device complying with ANSI Z21.41 • CSA 6.9. It must also be installed with restraining means to guard against transmission of strain to the connector, as specified in the appliance manufacturer's instructions.

RETAIN THIS MANUAL FOR YOUR REFERENCE

POUR L'UTILISATEUR

POUR VOTRE SÉCURITÉ

Ne pas stocker ni utiliser de l'essence ou tout autre vapeur ou liquide inflammable à proximité de cet appareil ou de tout autre dispositif.

AVERTISSEMENT: Une installation, un réglage, une modification, un entretien ou une maintenance incorrect peut provoquer des dégâts matériels, des blessures voire la mort. Veuillez lire soigneusement les instructions d'installation et de fonctionnement avant d'installer ou d'effectuer l'entretien de cet équipement.

IMPORTANT: Dans un lieu bien en vue, placez les instructions à suivre dans l'éventualité où l'utilisateur respirerait du gaz. Ces informations peuvent être obtenues en contactant votre fournisseur de gaz local.

Les points ci-dessous permettent de s'assurer que ce matériel a été installé et fonctionne en toute sécurité:

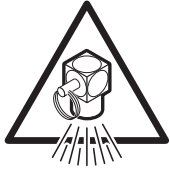
- Assurez-vous que toutes les alimentations en gaz et en électricité correspondent à la plaque signalétique et aux étiquettes des propriétés électriques.
- Conservez la zone de l'appareil libre et sans matériaux combustibles.
- Respectez toutes les conditions en terme d'espacement.
- Tous les travaux d'entretien doivent être réalisés par un technicien qualifié sur la gamme de Cleveland.
- N'obstruez pas le flux de combustion ni l'air de ventilation.

AVIS: Si cet appareil doit être installé avec des roulettes, vous devez utiliser les roulettes fournies, ainsi qu'un connecteur se conformant à ANSI Z21.69 ou CSA 6.16 et un dispositif à débranchement rapide conforme à ANSI Z21.41 • CSA 6.9. Il doit également être installé avec des éléments de retenue pour prévenir la transmission de tension au connecteur, comme spécifié dans les instructions du fabricant de l'appareil.

CONSERVEZ CE MANUEL POUR VOTRE RÉFÉRENCE

For your safety / Pour votre sécurité / Para su seguridad / Für Ihre Sicherheit

DANGER / DANGER / PELIGRO / GEFAHR



Keep clear of pressure relief discharge. / Se tenir hors de portée de la purge des soupapes de surpression. / Manténgase alejado de la descarga de presión. / Den Druckablasspfad vermeiden.

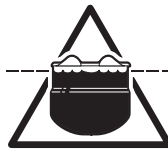


Keep hands away from moving parts and pinch points. / Tenir les mains à l'abri des pièces mobiles et des angles. / Mantenga las manos lejos de las piezas móviles y los puntos de presión. / Die Hände von bewegenden Teilen und Klemmstellen fernhalten.

IMPORTANT / IMPORTANT / IMPORTANTE / WICHTIG



Inspect unit daily for proper operation. / Inspecter le bloc quotidiennement pour garantir le fonctionnement normal. / Inspeccione diariamente el funcionamiento correcto de la unidad. / Die Einheit täglich auf richtige Funktion untersuchen.



Do not fill kettle above recommended level marked on outside of kettle. / Ne pas remplir le chaudron au-delà du niveau indiqué à l'extérieur. / No llene la marmita por encima del nivel recomendado marcado en la parte exterior de la marmita. / Den Topf nicht über das empfohlene, an der Aussenseite markierte Niveau füllen.

CAUTION / ATTENTION / PRECAUCIÓN / VORSICHT



Surfaces may be extremely hot! Use protective equipment. / Les surfaces peuvent être extrêmement chaudes! Utiliser des équipements de protection. / ¡Las superficies pueden estar muy calientes! Utilice equipo protector. / Die Oberflächen können sehr heiß werden! Schutzausrüstung tragen.



Wear protective equipment when discharging hot product. / Porter des équipements de protection lors de la purge des produits chauds. / Utilice equipo protector al descargar producto caliente. / Beim entleeren des heißen Produkts Schutzausrüstung tragen.



Do not lean on or place objects on kettle lip. / Ne pas adosser ou placer des objets contre le bord de chaudron. / No se apoye en la tapa de la marmita ni coloque objetos sobre ella / Nicht auf den Topfrand lehnen und dort keine Gegenstände absetzen.



Stand clear of product discharge path when discharging hot product. / Se tenir loin du chemin de purge des produits lors de la purge des produits chauds. / Manténgase alejado de la trayectoria de descarga del producto al descargar producto caliente. / Nicht im Produktauslasspfad stehen während das heiße Produkt entleert wird.

SERVICING / ENTRETIEN / SERVICIO / WARTUNG



Shut off power at main fuse disconnect prior to servicing. / Couper l'alimentation sur le principal fusible sectionneur avant l'entretien. / Apague la alimentación eléctrica en el fusible desconector principal antes de darle servicio. / Vor der Wartung den Strom am Haupttrennschalter abschalten.



Ensure kettle is at room temperature and pressure gauge is showing zero or less prior to removing any fittings. / S'assurer que le chaudron se trouve dans une température ambiante et que le manomètre affiche zéro ou moins avant de déposer les raccords. / Asegúrese de que la marmita está a temperatura ambiente y el manómetro está mostrando cero o menos antes de quitar cualquier accesorio. / Vergewissern, dass der Topf bei Raumtemperatur ist und das Druckmessgerät Null oder weniger anzeigt.

GAS APPLIANCES / APPAREILS À GAZ / APARATOS A GAS / GASGERÄTE

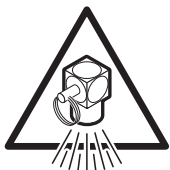


Do not attempt to operate this appliance during a power failure. / Ne pas essayer de manœuvrer cet appareil pendant une panne d'alimentation. / No intente poner en marcha este aparato durante un fallo de alimentación eléctrica. / Dieses Gerät nicht während eines Stromausfalls betreiben.



Keep appliance and area free and clear of combustibles. / Garder l'appareil et la zone libres et exempts de combustibles. / Mantenga el aparato y el área siempre libres de combustibles. / Das Gerät und Umgebung von brennbaren Stoffen freihalten.

MAINTENANCE / ENTRETIEN / MANTENIMIENTO / WARTUNG



The pressure relief valve must be inspected every six months. / La soupape de décharge doit être inspectée à tous les six mois. / La válvula de descarga de presión debe ser inspeccionada cada seis meses. / Das Druckablassventil muss alle 6 Monate überprüft werden.

Have an qualified service technician inspect your unit yearly. / L'unité doit être inspectée annuellement par un technicien de service qualifié. / Haga que un técnico de servicio calificado inspeccione su unidad anualmente. / Ein qualifizierter Techniker sollte Ihre Anlage einmal jährlich überprüfen.

Caster Kit (CS-T1) for Skillet model T1

WARNING

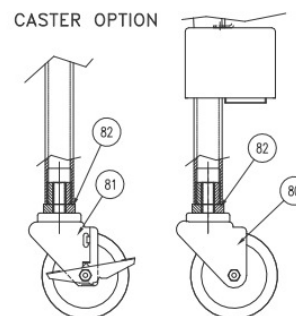
For use only on a Cleveland Range Skillet model T1.
DO NOT attempt to use these parts on any other product. Failure to do so can cause property damage, Injury or death.

Read instructions thoroughly. Failure to do so can cause property damage, Injury or death.

This kit should be installed only by a Qualified Service Technician.

Parts Included

Item	Part Number	Description	Qty.
82	KE53046-1	Caster sleeve	4
80	KE53068-3	Caster	2
81	KE53068-4	Caster c/w brake	2
	KE55407	Warning Label	1
	KE603957	Instruction sheet, Caster T1	1
	KE003646	Strap	1



Installation Instructions

1. Disconnect electrical and or gas supplies.
2. Move unit to a location with space around it to work.
3. Jack up one end of the unit
4. Remove the feet by unscrewing.
5. Screw in the caster sleeves.
6. Screw in the Casters. Brake on front, no brake on rear.
7. Lower Skillet.
8. Repeat for other side.
9. Add Warning Label to rear leg support channel as shown.
10. Add restraint cable to unit as shown.
11. Fasten other end of restraint cable to guard against transmission of strain to the gas connector or electrical connection.
12. For gas units install gas connections using a connector complying with ANSI Z21.69 * CGA6.16 and a quick disconnect device complying with ANSI Z21.41 * CGA6.9.
13. When properly installed the strain relief will become tight and stop movement of the unit before strain is put on gas plumbing or electrical connection.



To complete installation connect unit, check for gas leaks, test unit functions.

INSTALLATION

INSPECTION

1. Before unpacking visually inspect the unit for evidence of damage during shipping.
2. If damage is noticed, do not unpack the unit, follow shipping damage instructions.
3. Carefully remove unit from shipping carton. Remove any packing material from unit. After carefully unpacking check for "concealed" damage. If damage is noticed, follow "SHIPPING DAMAGE INSTRUCTIONS" shown below.
4. A protective material has been applied to the stainless steel panels. This material must be removed immediately after installation, as heat will melt the material and make it more difficult to remove.

SHIPPING DAMAGE INSTRUCTIONS

If shipping damage to the unit is discovered or suspected, observe the following guidelines in preparing a shipping damage claim.

1. Write down a description of the damage or the reason for suspecting damage as soon as it is discovered. This will help in filling out the claim forms later.
2. As soon as damage is discovered or suspected, notify the carrier that delivered the shipment.
3. Arrange for the carrier's representative to examine the damage.
4. Fill out all carrier claims forms and have the examining carrier sign and date each form.

GENERAL

Installation of the kettle must be accomplished by qualified installation personnel working to all applicable local and national codes. Improper installation of product could cause injury or damage.

This equipment is built to comply with applicable standards for manufacturers. Included among those approval agencies are: UL, A.G.A., NSF, ASME/N.Bd., CSA, CGA, ETL, and others. Many local codes exist, and it is the responsibility of the owner/installer to comply with these codes.

Observe all clearance requirements to provide proper make-up air flow. Do not obstruct the flow of combustion and ventilation air. Check rating plate to ensure that kettle has been equipped to operate with the type of gas available at the installation.

Dimensions and clearance requirements are shown on the Specification Sheet.

CLEARANCE REQUIREMENTS

This unit must be installed in accordance with the clearances shown on the rating label which is adhered to the unit.

	RIGHT	LEFT	REAR
Manual Tilt	4"	0	0*
Power Tilt	1"	0	0*

*Allow 3.5" at rear for combustable walls.

FOR YOUR SAFETY. Keep the appliance area free and clear of combustible materials.

INSTALLATION

1. Position the unit in it's permanent location, and level the unit by turning the adjustable feet.
2. Once positioned and leveled, permanently secure the unit's flanged feet to the floor using 5/16" lag bolts and floor anchors (supplied by the installer). Three bolts are required to secure each of the flanged feet.
3. Seal joints of flanged feet with a silicone sealant.

GAS

ENSURE THE GAS SUPPLY MATCHES THE KETTLE'S REQUIREMENTS AS STATED ON THE RATING PLATE.

Installation must conform, with local codes or in the absence of local codes, with the National Fuel Gas Code ANSI Z223.1/NFPA 54, or the Natural Gas and Propane Installation Code, CSA B149.1.

The appliance and its individual shut-off valve must be disconnected from the gas supply piping system during any pressure testing of that system at test pressures in excess of 1/2 psi (3.45 kPa).

The appliance must be isolated from the gas supply piping system by closing its individual manual shut-off valve during any pressure testing of the gas supply piping system at test pressures equal to or less than 1/2 psi (3.45 kPa).

It is recommended that a sediment trap (drip leg) be installed in the gas supply line. If the gas pressure exceeds 14" water column, a pressure regulator must be installed, to provide a maximum of 14" water column gas pressure to the gas control valve.

Connect the gas line to the manual valve located at the rear of the control box.

Use a gas pipe joint compound which is resistant to L.P. gas. Test all pipe joints for leaks with soap and water solution. Ensure that the gas pressure regulator is set for the manifold pressure indicated on the gas rating plate.

ELECTRICAL

NOTE: Wiring diagram is located on the underside of the unit's control panel.

ENSURE THE ELECTRICAL SUPPLY MATCHES THE UNIT'S REQUIREMENTS AS STATED ON THE RATING LABEL.

A cord and plug are supplied with the 115 volt unit. Simply plug the unit into any grounded outlet rated for a minimum of 10 amps. The wiring diagram is located on the back of the console access panel.

When a unit is ordered and built for 208/240 volt, the supply line must be connected to the wiring terminations located inside the console. A wiring diagram is attached to the underside of the control panel.

WARNING: Electrical Grounding Instructions.

This unit is equipped with a three-prong (grounding) plug for your protection against shock hazard and should be plugged directly into a properly grounded three-prong receptacle. Do not cut or remove the grounding prong from this plug.

Standard supply voltage is 115 volts A.C., however, optional A.C. voltages can be supplied on special order. A separate fused disconnect switch must be supplied and installed in the high voltage electrical supply line. The unit when installed, must be electrically installed and grounded in accordance with local codes, or in the absence of local codes, with National Electrical Code, ANSI/NFPA 70-1990 (USA) or the Canadian Electrical Code, CSA C22.2, Part 1 (Canada).

VENTILATION

Gas fired units are only to be installed under a ventilation hood in a room which has provisions for adequate make up air. Further information can be obtained by referring to the U.S.A. National Fire Protection Associations NFPA96 regulations. These standards have also been adopted by the National Building Code in Canada..

WATER CONNECTION

(OPTIONAL)

A 1/2" NPT cold water line and/or a 1/2" NPT hot water line are required if unit is equipped with a single or double pantry faucet.

INSTALLATION CHECKS

Although the unit has been thoroughly tested before leaving the factory, the installer is responsible for ensuring the proper operation of unit once installed.

DO NOT ATTEMPT TO OPERATE THIS UNIT DURING A POWER FAILURE.

KEEP APPLIANCE AND AREA FREE AND CLEAR OF COMBUSTIBLES.

1. Supply power to the unit by placing the fused disconnect switch to the "ON" position.
2. Turn on main gas supply to unit. Open the unit's shut-off valve (located at lower rear left).
3. Toggle HI / OFF / LO Switch to the "HI" or "LO" position.
4. For your safety the unit is equipped with a power interrupter which automatically shuts off the gas supply to the burners whenever the unit is raised more than 8°.

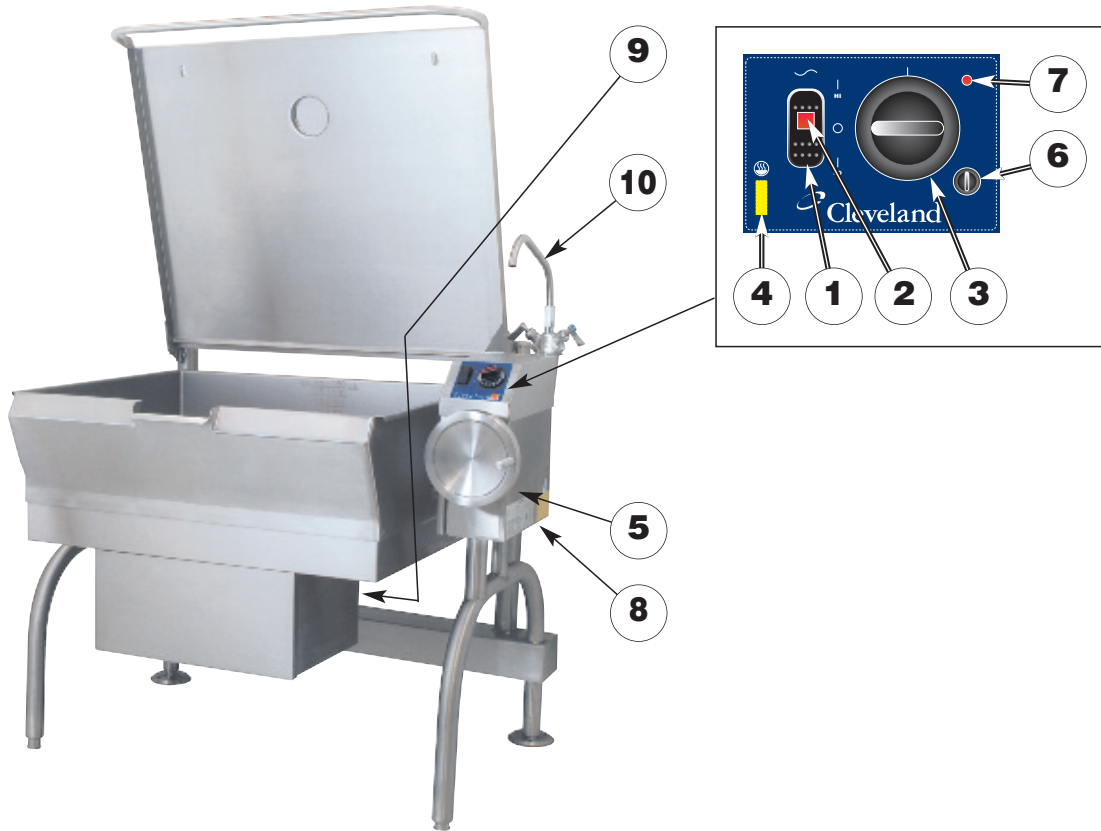
IMPORTANT: Before commencing to cook, ensure the pan is in the lowered position. Also ensure the cover is raised.

5. Turn temperature control to maximum. Tilt pan until heat indicator light turns off and heating system shuts down. The pan should be on a 5-10° angle.
6. Lower pan. Heat indicator light will re-light and heating system will re-energize.
7. Unit will continue to heat, heat indicator light will remain on until temperature is reached. Then the heat indicator light will cycle OFF indicating the heating system has shut off. The heat indicator light will continue to cycle ON and OFF as the heating system cycles ON and OFF maintaining the desired temperature.
8. Toggle HI / OFF / LO Switch to the "OFF" position.

CLEANING

After installation the unit must be thoroughly cleaned and sanitized prior to cooking.

OPERATING INSTRUCTIONS



ITEM # DESCRIPTION

- 1. HI / OFF / LO Switch
- 2. Power Indicator Light (red)
- 3. Temperature Dial
- 4. Heat Indicator Light (yellow)
- 5. Hand Tilt Wheel
- 6. Power Tilt Switch (location may vary)
- 7. Reset Button (location may vary)
- 8. Manual Tilt Override
- 9. Gas Shut Off Valve
- 10. Faucet
- 11. Tangent Draw-Off Valve

OPERATING THE UNIT

1. Ensure the gas and electrical supply to the unit are in the ON position.

FOR YOUR SAFETY:

This unit will automatically shut off the gas supply when pan is raised more than 8°.

Before commencing to cook, ensure pan is in the lowered position.

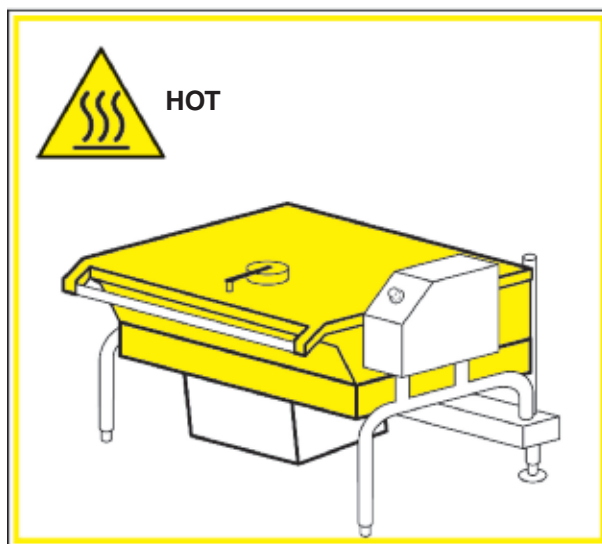
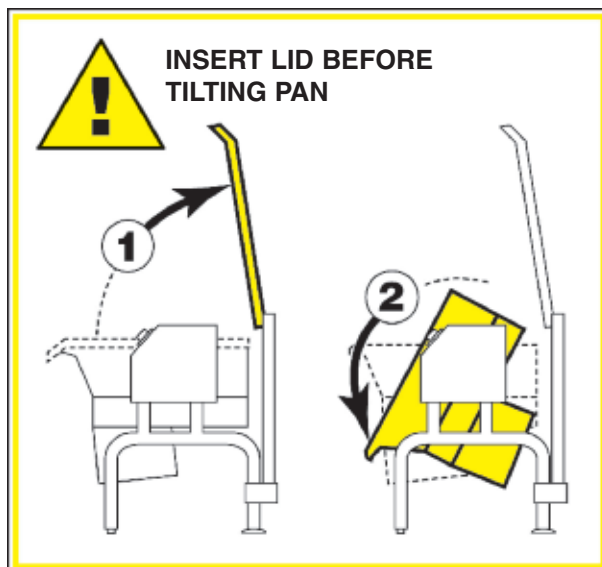
2. **MANUAL TILT:** Cleveland braising pans are equipped with a manual tilt mechanism for raising and lowering the pan. To raise pan, raise the cover and turn the crank clockwise. To lower pan, turn counterclockwise.

POWER TILT: Cleveland braising pans can also be equipped with an optional electric power tilt mechanism for raising and lowering the pan. To raise pan, raise the cover and press up on the tilt switch. To lower pan, press down on the tilt switch.

3. Toggle HI / OFF / LO Switch to the "HI" or "LO" position. The red Power Indicator Light indicates power is on. The yellow Heat Indicator Light indicates burners are on.
4. To preheat, set Temperature Dial to desired cooking temperature. Unit is preheated when the yellow light goes out.
5. Insert product in pan.
6. If desired, once product has cooked, it can be held prior to serving at a lower temperature setting.
7. When cooking is completed, set Temperature Dial and HI / OFF / LO Switch to the OFF position.
8. The best time to clean the unit is immediately after use, once unit has cooled down. Refer to section titled "CLEANING INSTRUCTIONS" for details.

OPERATING SUGGESTIONS

1. Turn power switch to the "OFF" position when unit is not in use.
2. Allow unit to preheat before adding product.
3. Always lift the spring assist cover before activating the tilt mechanism.
4. During an electrical power interruption, turn Power Switch to the OFF position. This unit cannot be made to operate without electrical power.



CLEANING INSTRUCTIONS



CARE AND CLEANING

Cooking equipment must be cleaned regularly to maintain its fast, efficient cooking performance and to ensure its continued safe, reliable operation. The best time to clean is shortly after each use (allow unit to cool to a safe temperature).

WARNINGS



Chloride Cleaners

Do not use detergents or cleansers that are chloride based or contain quaternary salt.



Wire Brush & Scrapers

Do not use a metal bristle brush or scraper.



Steel Pads

Steel wool should never be used for cleaning the stainless steel.



High Pressure Spray Hose

Unit should never be cleaned with a high pressure spray hose.



Stagnant Water

Do not leave water sitting in unit when not in use.

CLEANING INSTRUCTIONS

1. Turn unit off.
2. Remove drain screen (if applicable). Thoroughly wash and rinse the screen either in a sink or a dishwasher.
3. Prepare a warm water and mild detergent solution in the unit.
4. Remove food soil using a nylon brush.
5. Loosen food which is stuck by allowing it to soak at a low temperature setting.
6. Drain unit.
7. Rinse interior thoroughly.
8. If the unit is equipped with a **Tangent Draw-Off Valve**, clean as follows:
 - a) Disassemble the draw-off valve first by turning the valve knob counter-clockwise, then turning the large hex nut counter-clockwise until the valve stem is free of the valve body.
 - b) In a sink, wash and rinse the inside of the valve body using a nylon brush.
 - c) Use a nylon brush to clean tangent draw-off tube.
 - d) Rinse with fresh water.
 - e) Reassemble the draw-off valve by reversing the procedure for disassembly. The valve's hex nut should be hand tight only.
9. Using mild soapy water and a damp sponge, wash the exterior, rinse, and dry.

NOTES

- ⇒ For more difficult cleaning applications one of the following can be used: alcohol, baking soda, vinegar, or a solution of ammonia in water.
- ⇒ Leave the cover off when the kettle is not in use.
- ⇒ For more detailed instructions refer to Stainless Steel Equipment Care and Cleaning (www.nafem.org/resources/stainlesssteelfinal.doc) on Nafem's website (www.nafem.org).

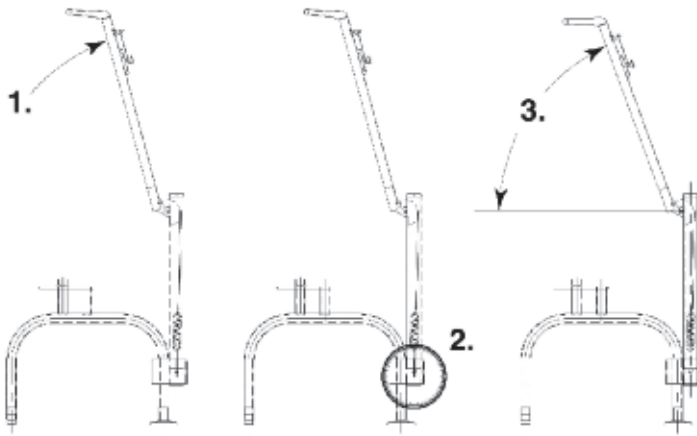
MAINTENANCE



WARNING:

Any maintenance or service involving disassembly of components should be made by a qualified service technician. Ensure gas, electrical and water supply (if applicable) to the unit are shut off.

HINGE ADJUSTMENT INSTRUCTIONS



- 1.** Fully lift cover to release spring tension.
- 2.** Using a 7/16" deep socket adjust left and right bolts evenly.
- 3.** When properly adjusted, cover should rest at 70°.

LUBRICATION PROCEDURE

Lubricate the following parts every three months to insure smooth operation and reduce wear.

TRUNNION HOUSING, WORM SCREW AND TILT GEAR (prior to May 2006)

These parts are accessed through the top cover of the console.

Apply grease to gear teeth. Check for excessive play and adjust with adjusting screw located on top of cross bar.

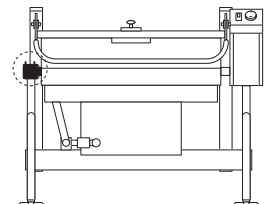
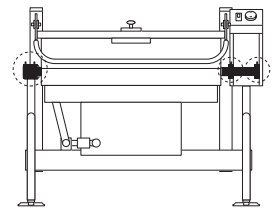
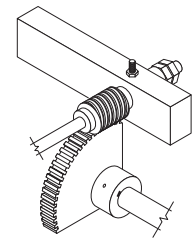
TRUNNIONS (prior to May 2006)

These parts are accessed through the top cover of the console.

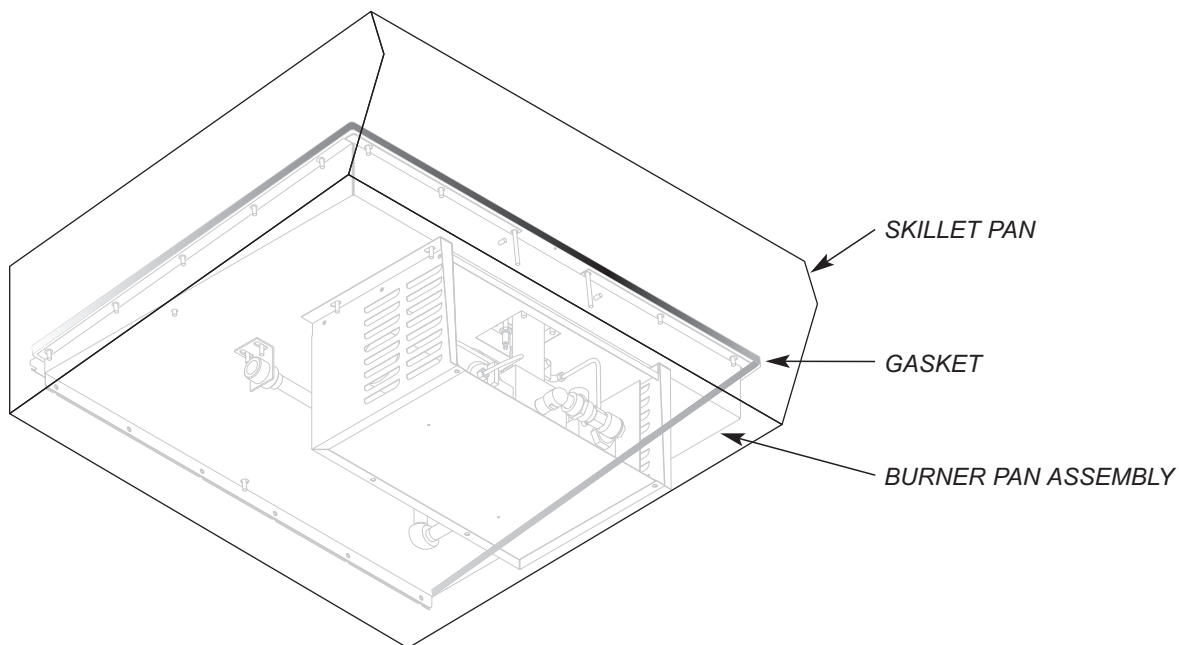
Apply grease to gear teeth. Check for excessive play and adjust with adjusting screw located on top of cross bar.

TRUNNION2 (after May 2006)

On the left hand side of the skillet there are two grease nipples on the top back portion of the trunnion housing.



BURNER ASSEMBLY GASKET EXAMINATION PROCEDURE



NOTE: It is imperative that this procedure be completed at least twice yearly.

- 1.** Turn unit to ON. The burner must be firing during this procedure.
- 2.** Using a stainless steel extension mirror, inspect gasket between burner pan assembly and skillet pan (sides and front only).
- 3.** Replace gasket if:
 - gasket shows signs of deterioration
 - a flame can be seen coming through the gasket
 - condensation forms on the extension mirror (indicating escaping heat)

GASKET PART #s

	30 GALLON	40 GALLON
SIDES	SK2472402	SK2472402
FRONT	SK2472400	SK2472401

SEQUENCE OF OPERATIONS

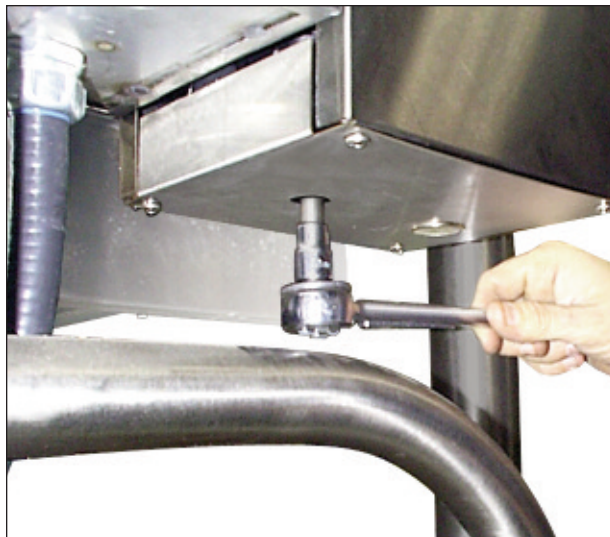
When using these instructions refer to the SGL-TI wiring schematic.

- 1.** 115 VAC is sent through the 3 amp fuse to
 - The primary of the 24 VAC transformer
 - 24 VAC is sent from the secondary of the 24VAC transformer to the Hi/Off/Low Switch.
 - Contacts of the RI Blower Relay
 - The optional Power Tilt Circuit
- 2.** With the Hi/Off/Low switch in the Low position.
 - 24 VAC is sent through the normally closed high limit switch to the mercury switch.
 - If the unit is in the down position then 24 VAC is sent through mercury switch to pin 9 on the thermostat.
- 3.** With the Hi/Off/Low Switch in the Hi position 24 VAC is also sent to the Hi terminal on the gas valve.
 - Gas will not leave the valve until the main gas valve opens (see step 7).
- 4.** If the steamer is calling for heat the 24 VAC is sent from pin number 10 to R1 Blower Relay.
 - The normally open contacts of the blower relay close sending 115 VAC to the blower.
 - The blower turns closing the air switch.
 - 24 VAC is sent through the now closed air switch to the ignition module.
- 5.** Ignition module sends spark from terminal SP to the igniter.
- 6.** Ignition module also sends 24 VAC from pins PV and MV/PV to the pilot coil of the gas valve pins P and C.
 - Pilot valve opens sending gas to the Pilot assembly.
 - Spark and gas meet and pilot is ignited.
 - AC current is passed through the flame and rectified then sent back to the ignition module.
- 7.** If the ignition module reads a minimum of 1.0 micro-amps through the burner ground then 24 VAC is sent from pins MV and MV/PV of the ignition module to pins M and C on the Gas valve.
 - The main (low) gas valve opens and gas (3.0" W.C. natural gas or 8.0" W.C. LP) is sent to the burner.
 - If the unit is in the Hi position (see step 3) 24VAC will be at the HI terminal and the gas pressure will be 3.5" W.C. natural or 10.0" W.C. LP.
 - Burner ignites until thermostat is satisfied.
- 8.** When thermostat is satisfied, 24 VAC is removed from pin 10 on the thermostat and the heat circuit is de-energized
- 9.** If the unit has the optional Power Tilt option and is in the down position, 115 VAC is sent from the customer connect through the circuit breaker and the up limit switch to the tilt switch.
- 10.** With the tilt switch in switch in the Up position
 - 115 VAC is sent to the Bridge Rectifier
 - 115 VDC is sent from the rectifier through the 30-ohm resistor to the normally open RY10 and RY11 relay contacts.
 - 115 VAC is sent to the RY 10 relay coil.
 - The normally open RY10 contact close and 90 VDC is sent to the DC motor
 - The DC motor is energized and the unit tilts until the switch is released or the up limit switch opens.
- 11.** With the Tilt switch in the Down position
 - 115 VAC is sent to the Bridge Rectifier
 - 115 DC is sent from the rectifier through the 30-ohm resistor to the normally open RY10 and RY11 relay contacts.
 - 115 VAC is sent to the RY 11 relay coil.
 - The normally open RY 11 contact close and the polarity of the 90 VDC is reversed.
 - The DC motor is energized and the unit lowers until the switch is released or the Down limit switch opens.

POWER TILT MANUAL OVERRIDE

In case of power failure or malfunction the skillet pan can be tilted manually following these instructions.

1. (prior to May 2006) - Fit a 10mm SIX point socket over the Manual Tilt Shaft as shown above.
(after May 2006) - Fit a 1/2" SIX point socket over the Manual Tilt Shaft as shown above.
2. Turn socket wrench clockwise to empty contents.



INSTALLATION

INSPECTION

1. Avant de déballer, inspectez visuellement l'unité pour détecter tout dommage occasionné pendant le transport.
2. Si vous remarquez un dommage, ne déballez pas l'unité et suivez les instructions sur les dommages liés au transport.
3. Retirez soigneusement l'unité de l'emballage d'expédition. Enlevez tout matériel d'emballage de l'unité. Après avoir fini le déballage méticuleux, confirmez l'absence de tout dommage "non apparent". Lorsqu'un dommage est constaté, suivez les "Instructions concernant les dommages liés au transport" présentées ci-dessous.
4. Les panneaux en acier inoxydable ont été traités avec un matériau protecteur. Ce matériau doit être retiré immédiatement après l'installation de l'unité puisque la chaleur va fondre ce matériau et le rendra plus difficile à éliminer.

INSTRUCTIONS CONCERNANT LES DOMMAGES LIÉS AU TRANSPORT

If shipping damage to the unit is discovered or suspected, observe the following guidelines in preparing a shipping damage claim.

1. Faites une description du dommage ou de la raison pour laquelle vous soupçonnez un dommage dès que vous vous en rendez compte. Cela permettra de remplir les formulaires de réclamation par la suite.
2. Dès lors que vous découvrez ou soupçonnez un dommage, informez le transporteur qui vous a fourni le matériel.
3. Prenez les arrangements nécessaires pour que le représentant du transporteur examine le dommage.
4. Remplissez tous les formulaires du transporteur et demandez à son représentant de signer et de dater chaque formulaire.

GÉNÉRAL

L'installation de la chaudière doit être effectuée par du personnel qualifié pour l'installation et travaillant conformément à tous les codes locaux et nationaux en vigueur. Une installation incorrecte du produit peut provoquer des blessures ou des dommages.

Ce matériel a été conçu pour respecter les normes applicables aux fabricants. Parmi ces organismes d'approbation se trouvent : UL, A.G.A., NSF, ASME/N.Bd., CSA, CGA, ETL, et autres. Il existe de nombreux codes locaux, et il est de la responsabilité du propriétaire/installateur de se conformer à ces codes.

Respectez toutes les conditions d'espacement pour permettre un débit d'air correct. N'obstruez pas le flux de combustion ni l'air de ventilation. Vérifiez la plaque signalétique pour vous assurer que la chaudière a été équipée pour fonctionner avec le type de gaz disponible dans l'installation.

Les dimensions et les exigences d'espacement sont indiquées dans la notice technique.

CONDITIONS EN TERMES D'ESPACEMENT

Cette unité doit être installée conformément aux espacements indiqués sur la fiche signalétique collée sur l'unité.

	DROIT	GAUCHE	ARRIÈRE
Inclinaison manuelle	4"	0	0*
Inclinaison électrique	1"	0	0*

*Prévoyez 3,5" à l'arrière pour les murs à constitution combustible.

POUR VOTRE SÉCURITÉ. Conservez la zone de l'appareil libre et sans matériaux combustibles.

INSTALLATION

1. Placez l'unité dans son emplacement définitif, et mettez-la à niveau en faisant pivoter les pieds réglables.
2. Une fois positionnée et à plat, serrez définitivement les pieds bridés de l'unité au sol avec des tire-fonds de 5/16" (7,94 mm) et des ancrages pour plancher (fournis par l'installateur). Ces boulons sont nécessaires pour serrer chaque pied bridé.
3. Scellez les joints des pieds bridés avec un enduit de silicone.

GAZ

ASSUREZ-VOUS QUE L'ALIMENTATION EN GAZ EST CONFORME AUX EXIGENCES DE LA CHAUDIÈRE, TEL QU'INDIQUÉ SUR LA PLAQUE SIGNALÉTIQUE.

L'installation doit être conforme aux codes locaux et/ou à la dernière édition du code national du gaz combustible ANSI Z223.1 (États-Unis) ou à la dernière version des codes d'installation pour les appareils et le matériel à gaz combustible CAN/CSA B149.1.

L'appareil et son robinet doivent être débranchés des tuyauteries d'alimentation de gaz pendant tous les tests de pression effectués sur ce système à des pressions d'essai dépassant 1/2 psi (3,45 kPa).

L'appareil doit être isolé des tuyauteries d'alimentation en gaz en fermant son robinet individuel pendant les tests de pression effectués sur ce système à des pressions d'essais équivalentes ou inférieures à 1/2 psi (3,45 kPa).

Il est recommandé d'installer un piège de sédiments (collecteur de condensats) dans le conduit d'alimentation en gaz. Si la pression du gaz dépasse la colonne d'eau de 14" (35,56 cm), un régulateur de pression doit être installé pour offrir une pression de la colonne d'eau de 14" (35,56 cm) au maximum à la vanne de commande du gaz.

Reliez le conduit du gaz à la vanne manuelle située à l'arrière de l'armoire de commande.

Pour les conduits de gaz, utilisez un produit pour joints résistant au gaz de pétrole liquéfié. Testez tous les raccords du tuyau pour détecter les fuites avec une solution d'eau savonneuse. Assurez-vous que le régulateur de pression de gaz est réglé à la pression du manifold, tel qu'indiqué sur la plaque signalétique du gaz.

ÉLECTRIQUE

NOTE: Le schéma de câblage se trouve sur le dessous du tableau de commande de l'appareil.

ASSUREZ-VOUS QUE L'ALIMENTATION ÉLECTRIQUE CORRESPOND AUX EXIGENCES DE L'UNITÉ, TEL QU'INDIQUÉ SUR LA PLAQUE SIGNALÉTIQUE.

Un cordon et une prise de courant sont fournis avec l'unité de 115 volts. Il vous suffit de brancher l'unité à une prise à contact de mise à terre ayant une valeur nominale minimale de 10 ampères. Le schéma de câblage se trouve à l'arrière de la console du panneau de service.

Lorsqu'une unité est commandée et construite pour une tension de 208/240 volts, la ligne d'alimentation doit être branchée aux raccordements de câblage situés à l'intérieur de la console. Un schéma de câblage est attaché au dessous du tableau de commande

AVERTISSEMENT: Instructions concernant la mise à la terre électrique.

Cet appareil est équipé d'une fiche tripolaire (à terre) pour garantir votre protection contre tout risque de choc électrique et doit être branché directement sur une prise tripolaire convenablement mise à terre. Ne coupez et ne retirez pas la broche de mise à terre de cette fiche.

La tension d'alimentation standard est de 115 volts CA. Cependant, d'autres tensions optionnelles en C.A. peuvent être fournies sur commande spéciale. Un sectionneur à fusibles distinct doit être fourni et installé sur la ligne d'alimentation électrique de haute tension. Une fois installé, l'appareil doit être calibré électriquement et mis à terre conformément aux codes locaux ou, en l'absence de codes locaux, selon le Code national de l'électricité, ANSI/NFPA 70-1990 (États-Unis) ou le Code canadien de l'électricité, CSA C22.2, Partie 1 (Canada).

VENTILATION

Les unités à gaz doivent être installées uniquement sous une hotte de ventilation dans un lieu pouvant fournir de l'air d'appoint adéquat. D'autres informations sont disponibles en se référant aux réglementations NFPA96 de la « National Fire Protection Association » contre le feu aux États-Unis. Ces normes ont également été adoptées par le « National Building Code » (Code national du bâtiment) au Canada..

RACCORDEMENT D'EAU

(EN OPTION)

Une conduite d'eau froide NPT d'1/2" et/ou une conduite d'eau chaude NPT d'1/2" est requise si l'appareil est équipé d'un robinet d'évier simple ou double.

VÉRIFICATIONS DE L'INSTALLATION

Bien que l'unité ait été testée minutieusement avant son expédition de l'usine, l'installateur est chargé de veiller au fonctionnement adéquat de l'unité dès son installation.

N'ESSAYEZ PAS D'EXPLOITER CETTE UNITÉ LORS D'UNE COUPURE DE COURANT.

CONSERVEZ L'APPAREIL ET SON ENTOURAGE LIBRES ET SANS MATÉRIAUX COMBUSTIBLES.

1. Mettez l'appareil sous tension en positionnant le sectionneur à fusibles sur «ON».
2. Activez l'alimentation principale en gaz de l'unité. Ouvrez le robinet de sectionnement de l'appareil (situé à l'arrière, en bas à gauche).
3. Basculez le commutateur HI / OFF / LO à la position "HI" ou "LO".
4. Pour votre sécurité, l'appareil est équipé d'un interrupteur de puissance qui coupe automatiquement l'alimentation en gaz des brûleurs dès que l'unité est soulevée de plus de 8°.

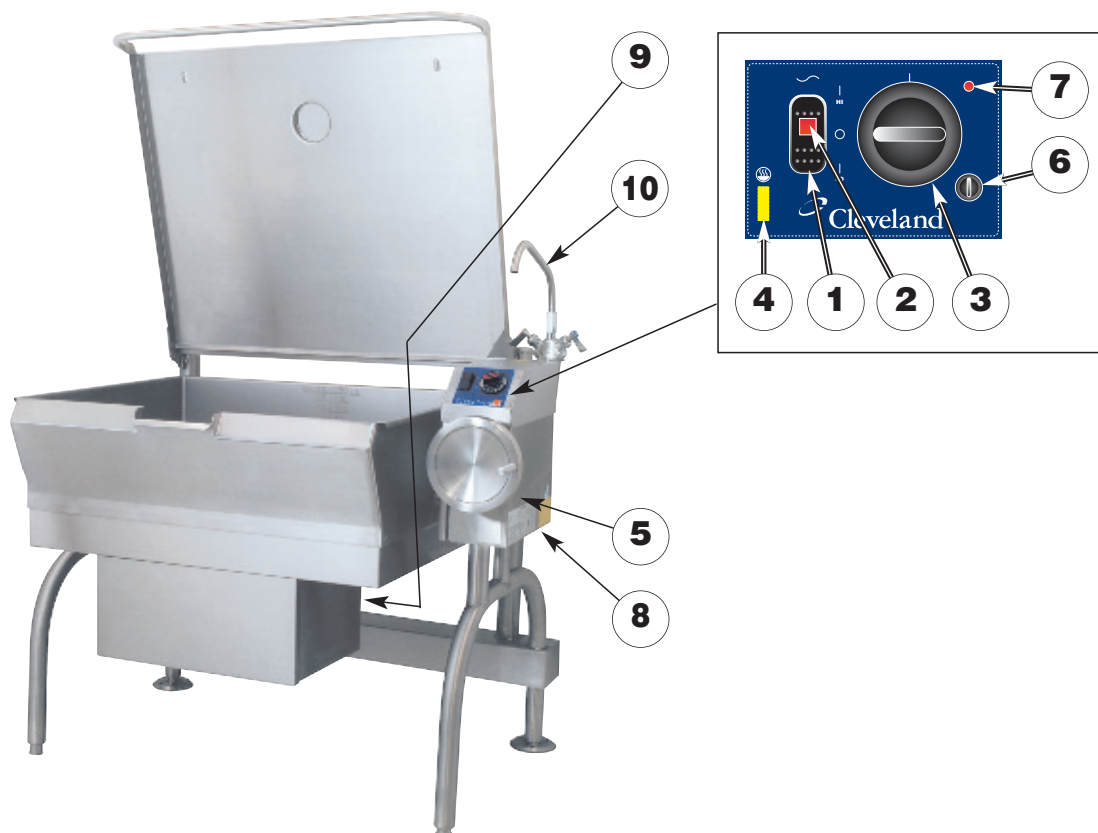
IMPORTANT: Avant de commencer la cuisson, vérifiez que la casserole est en position abaissée. Assurez-vous aussi que le couvercle est soulevé.

5. Mettez le régulateur de température au maximum. Inclinez la casserole jusqu'à voir le voyant de l'indicateur thermique éteint et le système de chauffage arrêté. La casserole doit avoir un angle d'inclinaison de 5-10°.
6. Abaissez la casserole. Le voyant de l'indicateur thermique se rallumera et le système de chauffage redémarrera.
7. La température de l'appareil continuera de monter et le voyant de l'indicateur thermique restera allumé jusqu'à atteindre la température voulue. Le voyant de l'indicateur thermique passera, ensuite, au cycle OFF indiquant que le système de chauffage s'est arrêté. Le voyant de l'indicateur thermique ainsi que le système de chauffage continueront de basculer entre les cycles ON et OFF pour maintenir la température souhaitée.
8. Basculez le commutateur HI / OFF / LO à la position "OFF".

NETTOYAGE

Après l'installation, la chaudière doit être entièrement nettoyée et aseptisée avant la cuisson.

INSTRUCTIONS D'OPÉRATION



# D'ARTICLE	DESCRIPTION
1.	Interrupteur HI / OFF / LO
2.	Lampe d'indication d'alimentation électrique (rouge)
3.	Cadran de la température
4.	Témoin de chaleur (jaune)
5.	Roue à basculement manuel
6.	Interrupteur de basculement électrique (l'emplacement peut varier)
7.	Bouton de remise à zéro (l'emplacement peut varier)
8.	Annulation du basculement manuel
9.	Robinet d'arrêt du gaz
10.	Robinet
11.	Soupape de soutirage tangentiel

OPÉRER L'UNITÉ

1. Assurez-vous que l'alimentation de gaz et électrique de l'unité sont dans la position ON.

POUR VOTRE PROTECTION :

Cette poêle va arrêter l'alimentation de gaz automatiquement si la cuvette augmente de plus de 8°. Avant de commencer la cuisson, assurez-vous que la cuvette est dans la position abaissée.

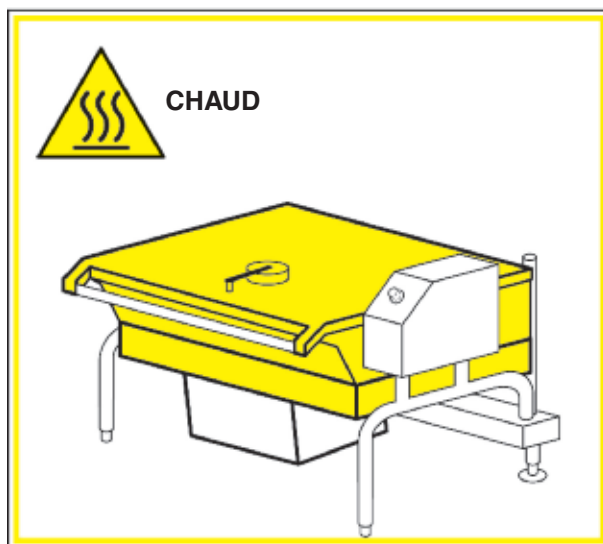
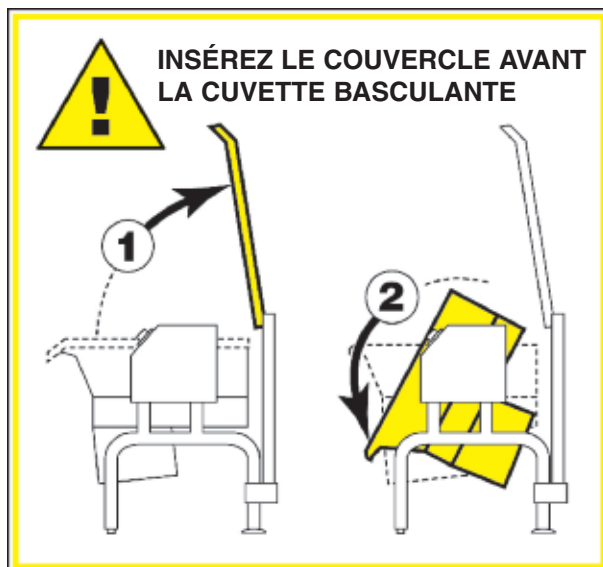
2. **BASCULEMENT MANUEL :** Les poêles Cleveland sont équipées d'un mécanisme de basculement manuel pour soulever et baisser la cuvette. Pour soulever la cuvette, soulevez le couvercle et tournez la manivelle dans le sens des aiguilles d'une montre. Pour baisser la cuvette, tournez-la dans le sens opposé des aiguilles d'une montre.

BASCULEMENT ÉLECTRIQUE : Les poêles Cleveland peuvent aussi être équipées d'un mécanisme de basculement électrique pour soulever et baisser la cuvette. Pour soulever la cuvette, soulevez le couvercle et appuyez sur l'interrupteur de basculement. Pour baisser la cuvette, appuyez sur l'interrupteur de basculement.

3. Basculez l'interrupteur HI / OFF / LO à la position « HI » ou « LO ». La lampe d'indication d'alimentation électrique indique que l'unité est allumée. Le témoin de chaleur jaune indique que les brûleurs sont allumés.
4. Pour le préchauffage, réglez le cadran de la température à la température de cuisson désirée. L'unité est préchauffée lorsque la lampe jaune s'éteint.
5. Insérez le produit dans la cuvette.
6. Si désiré, une fois que le produit a fini de cuire, il peut être gardé avant de servir à une température plus basse.
7. Lorsque la cuisson est complétée, réglez le cadran de la température et l'interrupteur HI / OFF / LO à la position OFF.
8. Le meilleur moment pour nettoyer la poêle est immédiatement après l'emploi, une fois que la poêle a refroidi. Référez à la section intitulée « CLEANING INSTRUCTIONS » pour obtenir plus de détails.

SUGGESTIONS D'OPÉRATION

1. Tournez l'interrupteur d'alimentation électrique à la position « OFF » lorsque la poêle n'est pas utilisée.
2. Permettez à la poêle de préchauffer avant d'ajouter le produit.
3. Soulevez toujours le couvercle assisté par ressort avant d'activer le mécanisme de basculement.
4. Pendant une panne électrique, tournez l'interrupteur d'alimentation électrique à la position OFF. Cette unité ne peut pas opérer sans alimentation électrique.



INSTRUCTIONS DE NETTOYAGE



ENTRETIEN ET NETTOYAGE

Le matériel de cuisson peut être nettoyé régulièrement pour conserver ses performances de cuisson rapides et efficaces et assurer un fonctionnement sûr et fiable en continu. Le meilleur moment pour le nettoyage est peu de temps après chaque utilisation (laissez l'unité refroidir à une température sûre).

AVERTISSEMENTS



Nettoyants à base de chlorure

N'utilisez pas de détergents ni de nettoyant à base de chlorure ou qui contiennent du sel quaternaire.



Brosse métallique et raclettes

N'utilisez pas de brosse métallique ni de raclette.



Coussinets d'acier

N'utilisez jamais de laine d'acier pour nettoyer l'acier inoxydable.



Tuyau d'arrosage à haute pression

L'unité ne doit jamais être nettoyée avec un tuyau d'arrosage à haute pression.



Eau stagnante

Ne laissez pas d'eau stagner au fond de l'unité lorsqu'elle n'est pas utilisée.

INSTRUCTIONS DE NETTOYAGE

1. Éteignez l'unité.
2. Retirez l'écran de drainage (le cas échéant). Lavez et rincez entièrement l'écran dans un évier ou un lave-vaisselle.
3. Préparez une solution avec de l'eau chaude et un détergent doux dans l'unité.
4. Enlevez le reste des aliments avec une brosse en nylon.
5. Décollez les aliments coincés en les laissant tremper à un réglage de basse température.
6. Purgez l'unité
7. Rincez abondamment l'intérieur.
8. Si l'unité est équipée d'une **Vanne tangente à passage direct**, nettoyez de la manière suivante :
 - a) Démontez la vanne à passage direct, d'abord en tournant le bouton de la vanne dans le sens contraire des aiguilles d'une montre, puis en tournant le grand écrou hexagonal dans le sens contraire des aiguilles d'une montre jusqu'à ce que la tige de la vanne se détache du corps de la vanne.
 - b) Dans un évier, lavez et rincez l'intérieur du corps de la vanne à l'aide d'une brosse en nylon.
 - c) Utilisez une brosse en nylon pour nettoyer le tube tangent de passage direct.
 - d) Rincez avec de l'eau fraîche.
 - e) Remontez la vanne à passage direct en inversant la procédure de démontage. L'écrou hexagonal de la vanne doit être serré à la main uniquement.
9. Avec de l'eau douce savonneuse et une éponge humide, lavez l'intérieur, rincez et séchez.

REMARQUES

- ⇨ Pour les procédés de nettoyage plus difficiles, vous pouvez utiliser l'un des éléments suivants : alcool, hydrogénocarbonate de sodium, vinaigre ou une solution d'ammoniac diluée dans de l'eau.
- ⇨ Laissez le couvercle fermé lorsque la chaudière est sous tension.
- ⇨ Pour obtenir des instructions plus détaillées, référez-vous au Nettoyage et entretien du matériel en acier inoxydable (www.nafem.org/resources/stainlesssteelfinal.doc) sur le site Internet de Nafem (www.nafem.org).

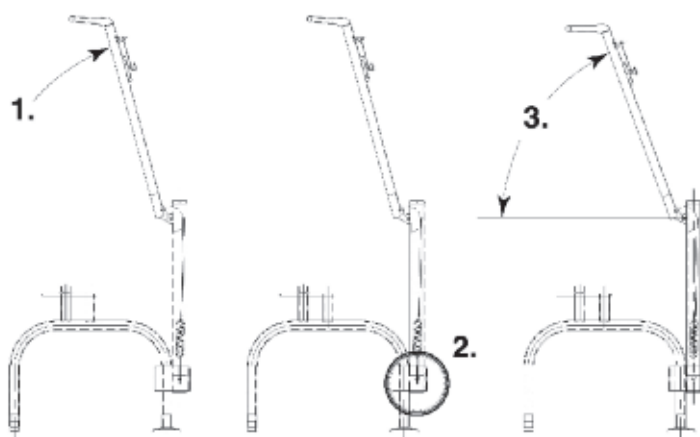
ENTRETIEN



AVERTISSEMENT :

Tout entretien qui implique le démontage des composantes devrait être réalisé par un technicien d'entretien qualifié. Assurez-vous que les alimentations de gaz, électrique et d'eau (si applicable) à l'unité sont éteintes.

INSTRUCTIONS POUR AJUSTER LES CHARNIÈRES



1. Soulevez le couvercle complètement pour détacher la tension des ressorts.
2. En utilisant une douille longue de 7/16 pouces, ajustez les boulons de gauche et de droite uniformément.
3. Lorsque le couvercle est ajusté correctement, il devrait rester à un angle de 70°.

LUBRICATION PROCEDURE

Lubricate the following parts every three months to insure smooth operation and reduce wear.

COMPARTIMENT DU TOURILLON, VIS TANGENTE ET EMBRAYAGE DE BASCULEMENT (avant mai 2006)

Vous pouvez obtenir l'accès à ces pièces par le couvercle supérieur de la console.

Appliquez de la graisse aux dents de l'embrayage. Vérifiez s'il y a trop de jeu et faites l'ajustement avec la vis d'ajustement située sur la traverse.

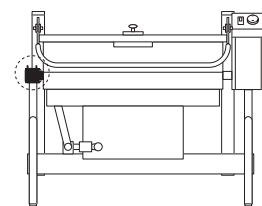
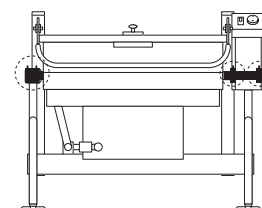
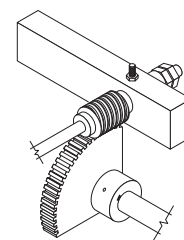
TOURILLONS (avant mai 2006)

Sur le côté gauche de la poêle, il y a deux mamelons de graisse sur la portion arrière du haut du compartiment de tourillons.

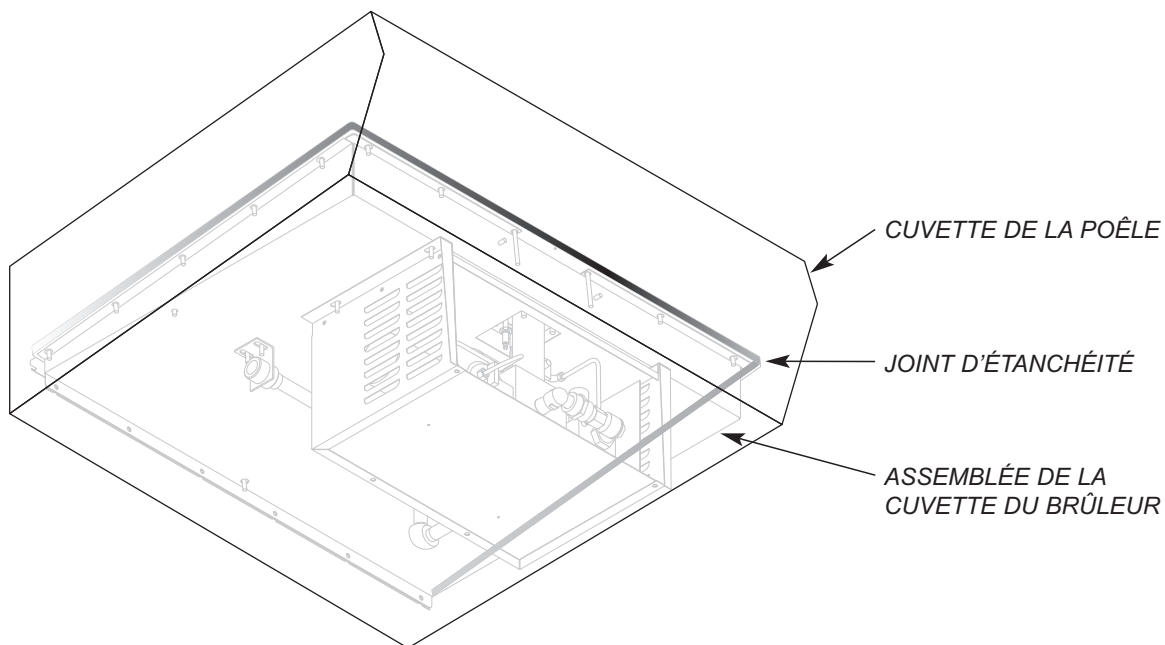
Sur le côté droit du chaudron, vous devez retirer le couvercle de la console pour obtenir l'accès aux deux mamelons de graisse.

TOURILLONS

(après mai 2006) Sur le côté gauche de la poêle, il y a deux mamelons de graisse sur la portion arrière du haut du compartiment de tourillons.



BURNER ASSEMBLY GASKET EXAMINATION PROCEDURE



NOTE: Il est essentiel que cette procédure soit complétée au moins deux fois par an.

- 1.** Allumez la poêle. Le brûleur doit être allumé pendant cette procédure.
- 2.** En utilisant un miroir de fouille en acier inoxydable, examinez le joint d'étanchéité entre l'assemblée du brûleur de la cuvette et la cuvette de la poêle (uniquement les côtés et l'avant).
- 3.** Remplacez la douille d'étanchéité si :
 - le joint d'étanchéité montre des signes de détérioration
 - vous voyez une flamme à travers le joint d'étanchéité
 - il y a une formation de condensation sur le miroir de fouille (ceci indique que la chaleur s'échappe)

DE PIÈCES DU JOINT D'ÉTANCHÉITÉ

	30 GALLON	40 GALLON
CÔTÉS	SK2472402	SK2472402
AVANT	SK2472400	SK2472401

ENCHAÎNEMENT DES OPÉRATIONS

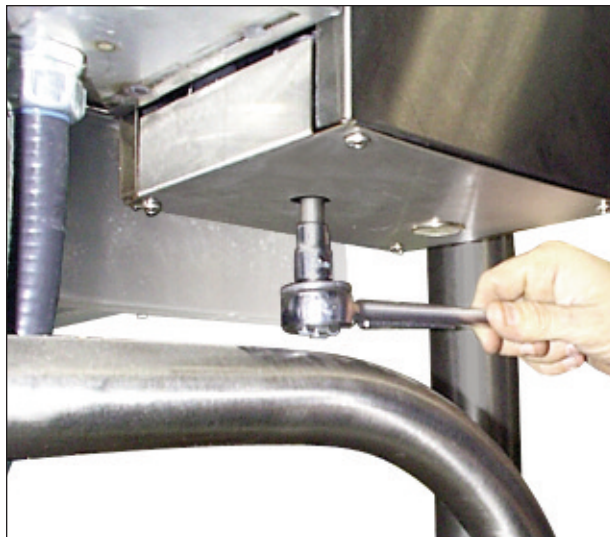
Référez-vous au schéma de branchement lorsque vous suivez ces instructions.

- 1.** Un courant de 115 VCA est passé à travers le fusible de 3 ampères
 - au primaire du transformateur 24 VCA
 - Le 24 VCA est envoyé du secondaire du transformateur 24VAC au commutateur Hi/Off/Lo.
 - aux contacts du relais du ventilateur R1
 - au circuit de l'option d'inclinaison électrique
- 2.** Tout en ayant le commutateur Hi/Off/Low (Haut/Arrêt/Bas) en position Low (Bas).
 - Le courant de 24 VCA est passé à travers l'interrupteur de fin de course supérieur, normalement fermé, à l'interrupteur à mercure.
 - Si l'appareil est en position abaissée, le 24 VCA est passé alors à travers l'interrupteur à mercure vers la broche 9 du thermostat.
- 3.** Tout en ayant le commutateur Hi/Off/Low en position Hi (Haut), un 24 VCA est aussi passé à la borne Hi (Haut) de la soupape à gaz.
 - Le gaz ne sortira pas de la soupape jusqu'à ouvrir la soupape à gaz principale (voir l'étape 7).
- 4.** Si le four à vapeur demande un chauffage, du 24 VCA est passé de la broche numéro 10 au relais R1 du ventilateur.
 - Les contacts du relais du ventilateur normalement ouverts se ferment et envoient une charge de 115 VCA au ventilateur.
 - Le ventilateur pivote et ferme le commutateur de débit d'air.
 - Un courant de 24 VCA est passé à travers le commutateur de débit d'air fermé au module d'allumage
- 5.** Le module d'allumage envoie une étincelle de la borne SP à l'allumeur.
- 6.** Le module d'allumage envoie également 24 VCA des broches PV et MV/PV à la bobine pilote des broches P et C de la soupape à gaz.
 - La soupape pilote s'ouvre et alimente l'assemblage pilote en gaz.
 - Le gaz et l'étincelle se croisent et le pilote s'allume.
 - Le courant alternatif est passé à travers la flamme et est rectifié, puis renvoyé vers le module d'allumage.
- 7.** Si le module d'allumage détecte un minimum de 1,0 microampères à travers la prise terre du brûleur, un courant de 24 VCA est alors passé des broches MV et MV/PV du module d'allumage aux broches M et C de la soupape à gaz.
 - La soupape à gaz principale (low - Bas) s'ouvre et du gaz (3,0" W.C. gaz naturel ou 8,0" W.C. LP) est acheminé au brûleur.
 - Si l'appareil est en position Hi (voir l'étape 3), un courant de 24 VCA sera envoyé à la borne HI et la pression du gaz sera de 3.5" WC naturel ou 10,0" WC LP.
 - Le brûleur s'allumera et se maintiendra jusqu'à aboutir au niveau de température du thermostat
- 8.** Lorsque la température du thermostat arrive au niveau voulu, le courant de 24 VCA est retiré de la broche 10 du thermostat et le circuit thermique est mis hors tension.
- 9.** Si l'appareil, en position abaissée, est doté de l'option d'inclinaison électrique, un courant de 115 VCA est envoyé de la prise client à travers le disjoncteur et l'interrupteur de fin de course supérieur vers le commutateur d'inclinaison.
- 10.** Tout en ayant le commutateur d'inclinaison en position Haut.
 - Le 115 VCA est envoyé au redresseur en pont.
 - Le 115 VDC est envoyé du redresseur à travers la résistance de 30-ohm aux relais de contacts RY10 et RY11 normalement ouverts.
 - Le 115 VCA est passé à la bobine du relais RY10.
 - Le contact RY10, normalement ouvert, se ferme et un courant de 90 VCC est envoyé au moteur à courant continu.
 - Le moteur à courant continu est mis sous tension et l'appareil s'incline jusqu'au relâchement du commutateur ou jusqu'à l'ouverture de l'interrupteur de fin de course supérieur.
- 11.** Tout en ayant le commutateur d'inclinaison en position Bas
 - Le 115 VCA est envoyé au redresseur en pont.
 - Le 115 VDC est envoyé du redresseur à travers la résistance de 30-ohm aux relais de contacts RY10 et RY11 normalement ouverts.
 - Le 115 VCA est passé à la bobine du relais RY11.
 - Le contact RY11, normalement ouvert, se ferme et la polarité du courant 90 VCC est inversée.
 - Le moteur à courant continu est mis sous tension et l'appareil s'incline jusqu'au relâchement du commutateur ou jusqu'à l'ouverture de l'interrupteur de fin de course inférieur.

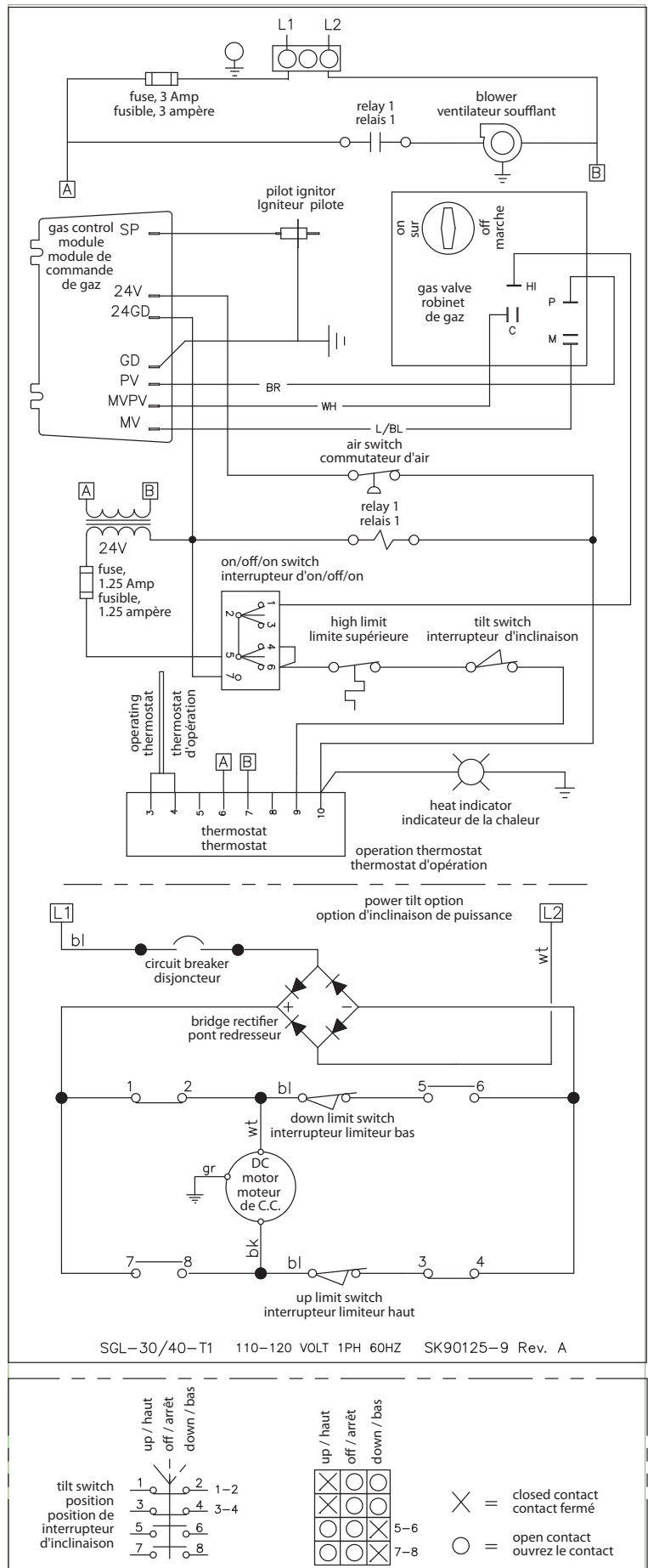
ANNULATION MANUELLE DU BASCULEMENT ÉLECTRIQUE

S'il y a une défaillance ou une panne électrique, la cuvette de la poêle peut être basculée manuellement en suivant les instructions suivantes.

- 1.** (avant mai 2006) – Cadrez une douille à SIX points de 10 mm au-dessus du levier de basculement manuel, tel qu'indiqué ci-dessus.
(après mai 2006) – Cadrez une douille à SIX points de ½ pouces au-dessus du levier de basculement manuel, tel qu'indiqué ci-dessus.
- 2.** Tournez la clé à douilles dans le sens des aiguilles d'une montre pour vider les contenus.



WIRING DIAGRAM / Schéma électrique



Description - (English / Français)

bk - (black / noir), red - (red / rouge), bl - (blue / bleu), yl - (yellow / jaune), or - (orange / orange),
pk - (pink / rose), wh - (white / blanc), gr - (green / vert), gy - (gray / gris), br - (brown / brun), pr - (purple / pourpre)

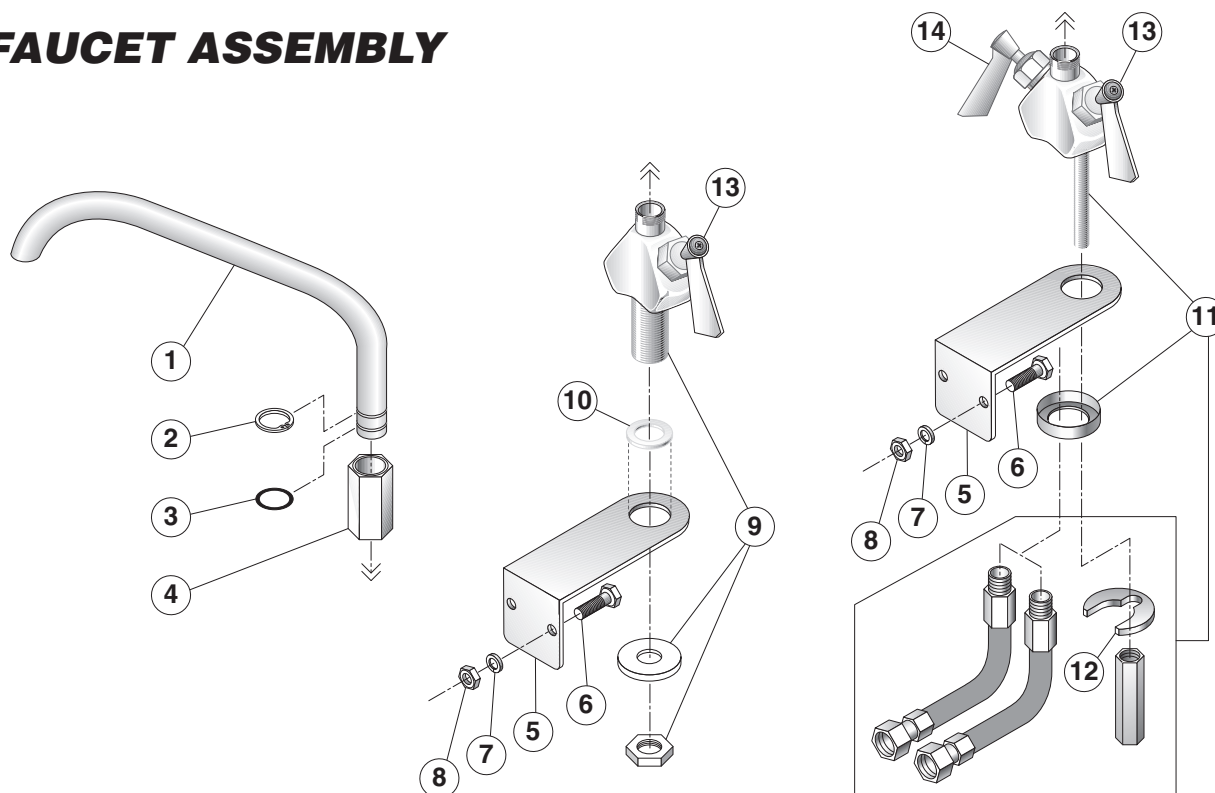
SERVICE PARTS

WARRANTY

Our Company supports a worldwide network of Maintenance and Repair Centers. Contact your nearest Maintenance and Repair Centre for replacement parts, service, or information regarding the proper maintenance and repair of your cooking equipment.

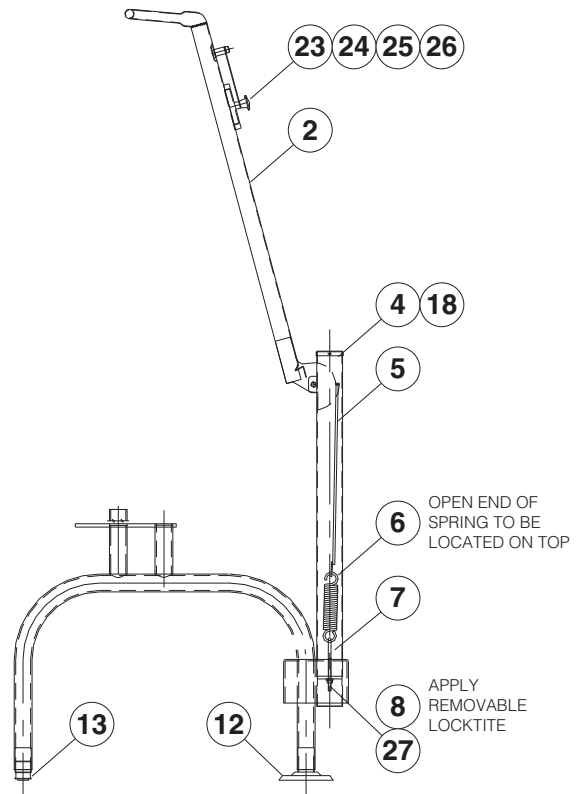
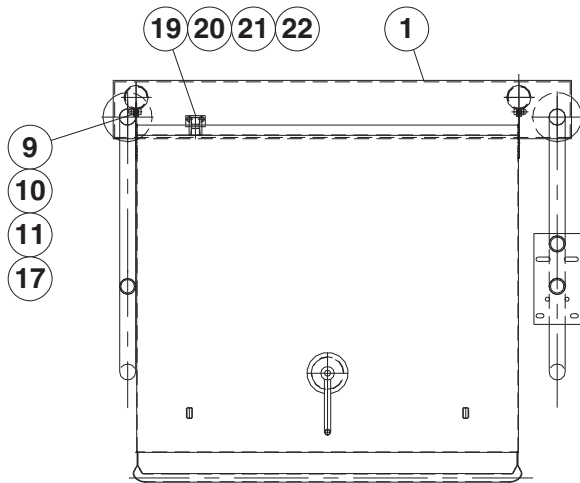
In order to preserve the various agency safety certification (UL, NSF, ASME/Ntl. Bd., etc.), only factory-supplied replacement parts should be used. The use of other than factory supplied replacement parts will void warranty.

FAUCET ASSEMBLY



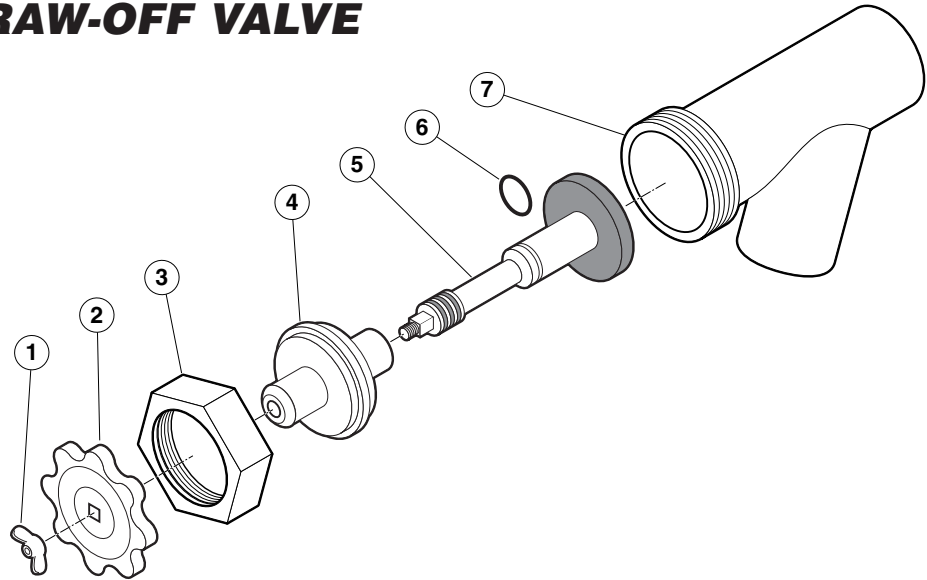
ITEM #	PART #	DESCRIPTION	QTY.
	SPK13	SINGLE PANTRY FAUCET (includes items 1-10)	
	DPK13	DOUBLE PANTRY FAUCET (includes items 1-8 & 11)	
1.	KE50825-7	3/4" SPOUT	1
2.	FA95007-10	RETAINING RING	1
3.	FA05002-19	"O" RING	1
4.	KE51736	LONG FAUCET NUT	1
5.	SK00395-1	FAUCET MOUNTING BRACKET	1
6.	FA11258	HEX CAP SCREW	2
7.	FA31029	LOCK WASHER	2
8.	FA210028	HEX NUT	2
9.	KE51401	SINGLE PANTRY BODY (c/w item 13)	1
10.	KE50335	ADAPTER WASHER	1
11.	KE51403	DOUBLE PANTRY BODY (c/w item 13 & 14)	1
12.	SE50447	REPLACEMENT HORSESHOE WASHER	1
13.	SE50021	REPLACEMENT STEM ASSEMBLY, COLD WATER	1
14.	SE50020	REPLACEMENT STEM ASSEMBLY, HOT WATER	1

FRAME / LID ASSEMBLY



ITEM NO.	PART NO.	DESCRIPTION	QTY.
1.	SK00392-1	FRAME WELDMENT (30 GALLON)	.1
	SK00392-2	FRAME WELDMENT (40 GALLON)	.1
2.	SK2457192	LID ASSEMBLY (30 GALLON)	.1
	SK2457193	LID ASSEMBLY (40 GALLON)	.1
4.	KE50187-1	CAP	.2
5.	SK00394-1	HOOK WELDMENT	.2
6.	SK2452300	SPRING	.2
7.	FA95087-1	EYE BOLT	.2
8.	FA20008	HEX NUT	.2
9.	KE53573-1	BEARING	.2
10.	FA15019-4	SHOULDER BOLT	.2
11.	FA21501-2	ACORN NUT	.2
12.	KE00099	ADJUSTABLE FOOT (FLANGED)	.2
13.	KE50249-1	FOOT ADJUSTOR (W/O FLANGE)	.2
17.	FA31029	LOCKWASHER	.2
18.	FA11054	SCREW	.4
19.	SK2459299	COUPLING ASSEMBLY	.1
20.	FA21024	HEX NUT (5/16-18)	.2
21.	FA31030	LOCKWASHER	.2
22.	FA30055	FLAT WASHER	.2
23.	SK00054	VENT COVER ASSEMBLY	.1
24.	SK2211200	SPACER	.1
25.	FA95081-1	BOLT, MODIFIED	.1
26.	SK50179	WASHER	.1
27.	FA30504	WASHER	.2

2" TANGENT DRAW-OFF VALVE



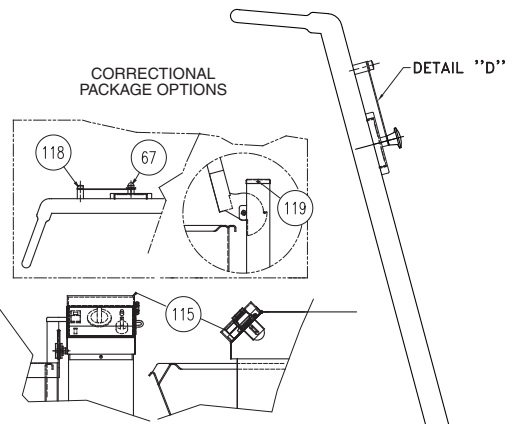
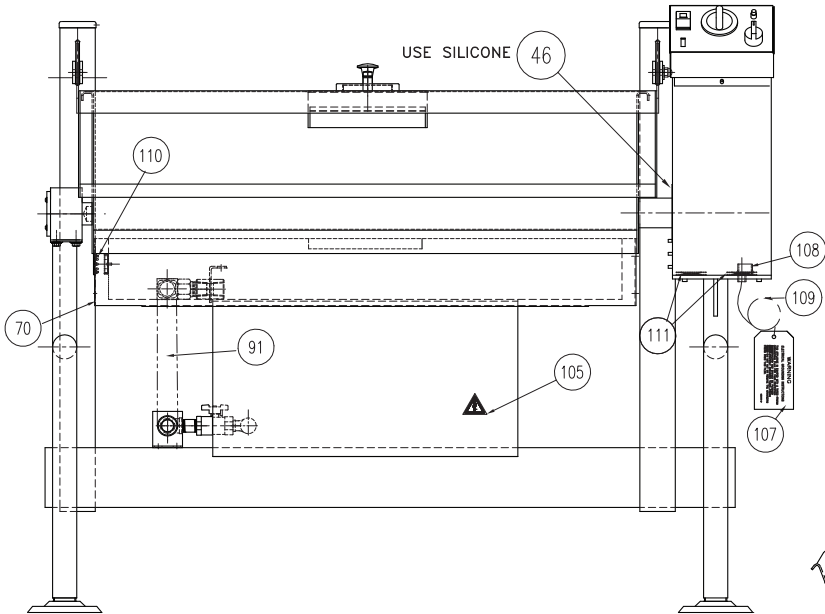
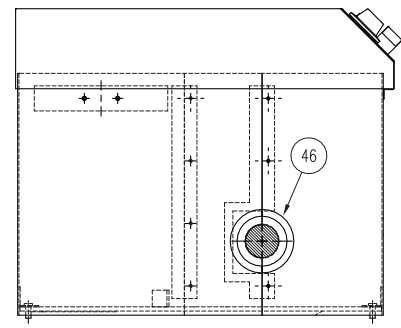
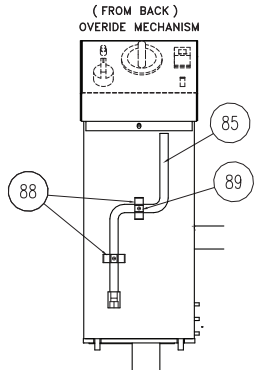
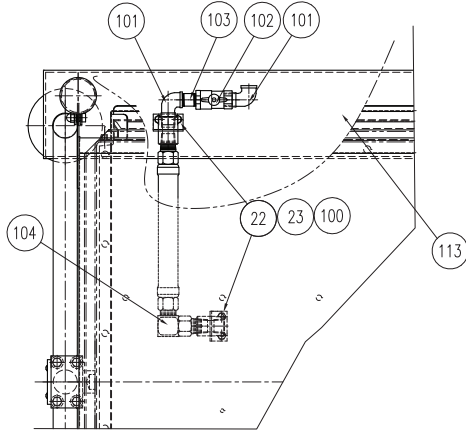
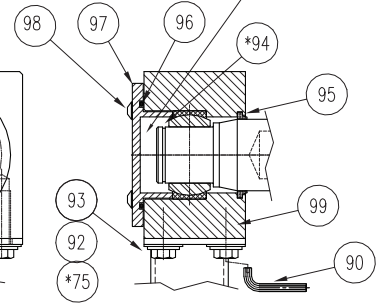
ITEM NO.	PART NO.	DESCRIPTION	QTY.
1. - 7.	KE50972-B	DRAW-OFF ASSEMBLY	1
1.	FA95049	WING NUT	1
2.	KE527551	KNOB	1
3.	KE52754	HEX NUT	1
4.	KE52753	RETAINER	1
5.	KE52752	PISTON	1
6.	FA00111	"O" RING	1
7.	KE52751	VALVE BODY	2

GENERAL ASSEMBLY COMPONENTS

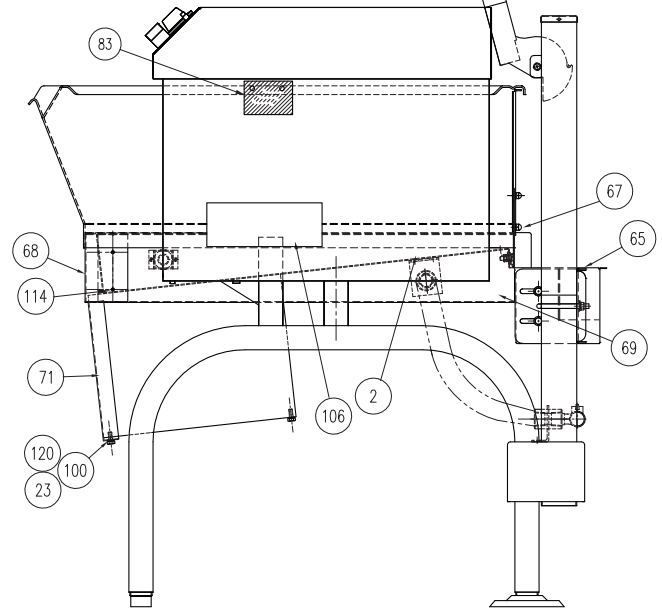
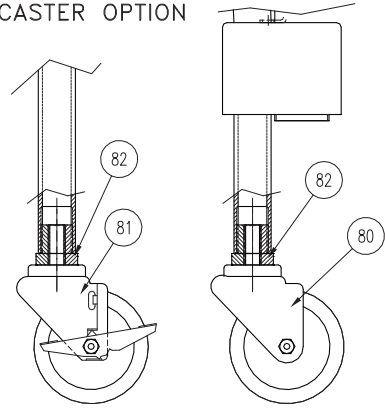
VIEW X
(FULL VIEW, UNSECTIONED)

NOTE: ITEMS MARKED WITH * ARE NOT SHOWN.

FILL WITH GREASE



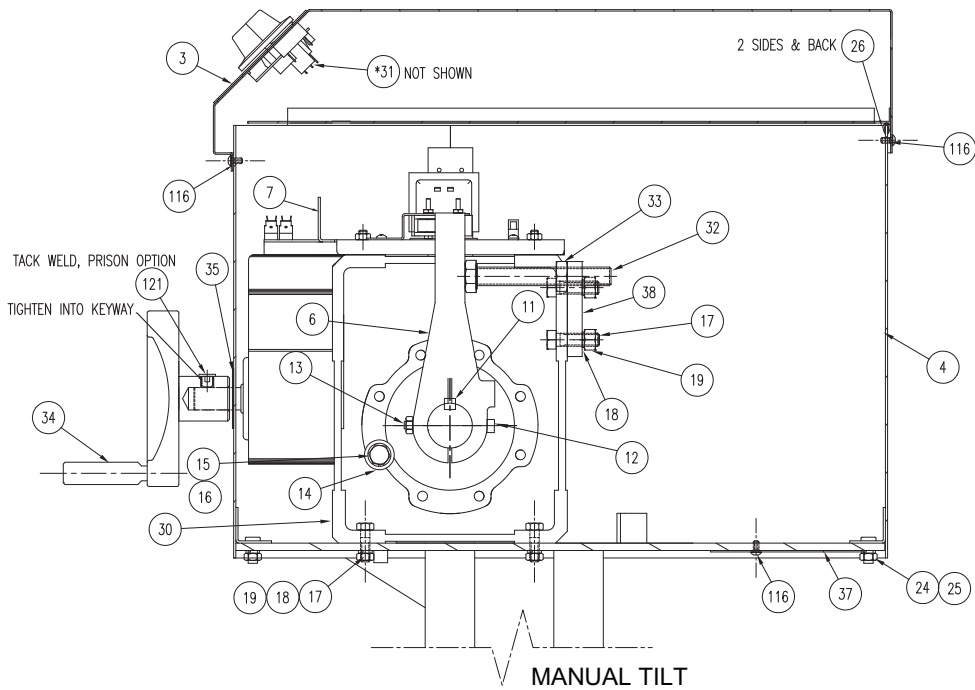
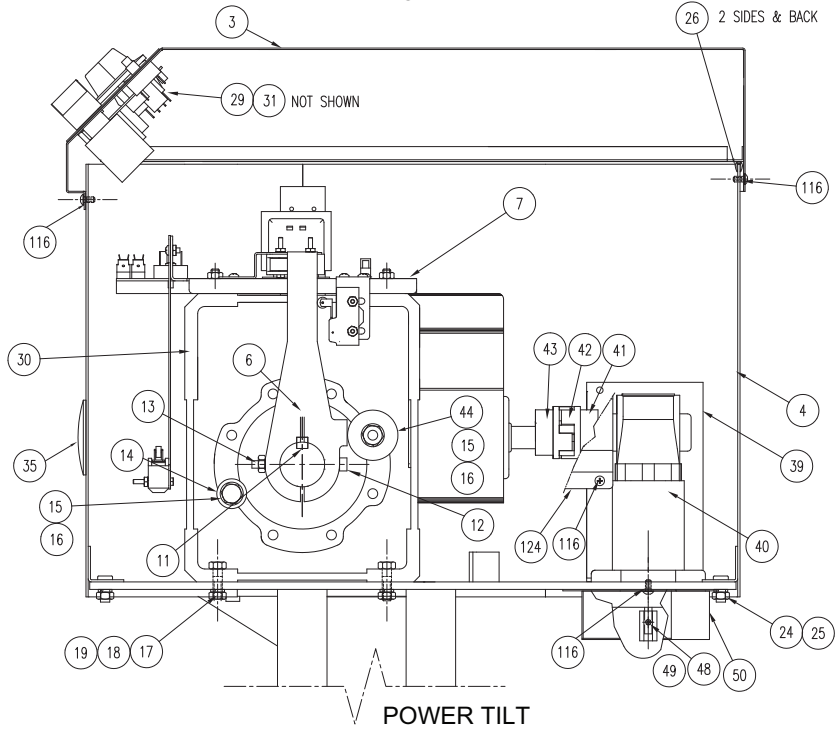
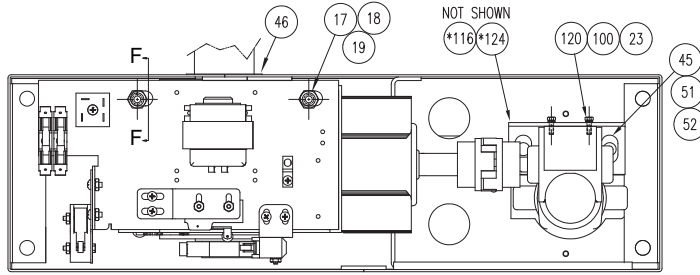
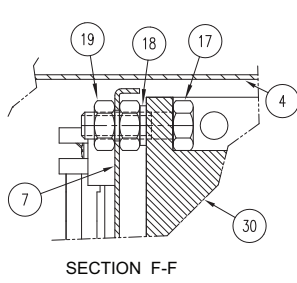
CASTER OPTION



GENERAL ASSEMBLY COMPONENTS

ITEM NO.	PART NO.	DESCRIPTION	QTY.	
			30 Gal.	40 Gal.
22	FA21008	HEX. NUT 1/4-20	4	4
23	FA31029	SPLIT LOCKWASHER 1/4	4	4
46	KE51084-2	WASHER	1	1
65	KE002486-1	FLUE DEFLECTOR ASSEMBLY	1	-
	KE002486-2	FLUE DEFLECTOR ASSEMBLY	-	1
67	FA21501-2	ACORN NUT 1/4-20, S.S.	5	5
68	SK50942-1	FRONT COVER	1	-
	SK50942-2	FRONT COVER	-	1
69	SK50943-1	SIDE COVER, R.H.	1	1
70	SK50943-2	SIDE COVER, L. H.	1	1
71	SK50946-1	FRONT BOX COVER ASSEMBLY	1	1
75	FA11511-20	SECURITY HEX SOCKET SCREW 3/8-16 X1 (CP OPTION)	4	4
	KE55443	CAP SCREW, 3/8-16 X1 HIGH STRENGTH (NO CP OPTION)	4	4
80	KE53068-3	SWIVEL CASTER W/O BRAKE	2	2
81	KE53068-4	SWIVEL CASTER WITH BRAKE	2	2
82	KE53046-1	CASTER SLEEVE	4	4
83	KE95447	LABEL TO COVER FAUCET MTG. HOLES	1	1
85	KE003160	HANDLE WELDMENT	1	1
88	SK2473800	SPRING CUP	2	2
89	F10	SCREW: PAN QUAD 8-32 X 3/8	2	2
90	FA11511-101	SHORT ARM SECURITY HEX KEY	1	1
91	SK2495600	STRIP FILL	1	-
	SK2474400	STRIP FILL	-	1
92	KE55445	WASHER, HIGH STRENGTH ULTRA-COATED	4	4
93	FA31031	SPLIT LOCK WASHER, S.S., 3/8 DIA.	4	4
94	FA95007-12	RETAINING RING, 1 DIA. 3/16	1	1
95	KE55440	WIPER SEAL	1	1
96	FA05002-47	O-RING, 2 DIA. X 2 DIA. 3/16	1	1
97	KE55446	PLATE, BEARING RETAINING	1	1
98	FA11511-2	10-32 X 3/8 PAN HEAD TORX SCREW (CP OPTION)	4	4
	F182	10-32 X 1/2 SLOTTED HEAD S.S. SCREW (NO CP OPTION)	4	4
99	KE02383	HOUSING ASSEMBLY, TRUNNION	1	1
100	FA30505-1	FLAT WASHER 1/4	4	4
101	FA11258	1/4-20 X 3/4 BOLT, 18-8 S.S.	4	4
102	F01518-1	SHUT SET VALVE	1	1
103	N0640C1.5	NIPPLE	1	1
104	SK2472702	SWIVEL CONNECTOR	1	1
105	KE95497	RISK OF ELECTRIC SYMBOL	1	1
106	KE95552-2	LABEL, GAS RATING	1	1
107	KE95533-9	TAG	1	1
108	KE51258-1	CONDUIT CONNECTOR	1	1
110	KE54907-16	PLUG BUTTON	1	1
111	KE55356	EXTRUDEC WASHER	4	4
113	KE55407	EQUIPMENT INSTALLATION LABEL	1	1
114	FAL1511-2	10-32 X 3/8 PAN HEAD TORX SCREW (CP OPTION)	8	8
114	FL 82	10-32 X 1/2 S.S. SLOTTED HEAD SCREW (NO CP OPTION)	8	8
120	FAL1511-11	1/4-20 X 3/4 PAN HEAD TORX SCREW (CP OPTION)	2	2
	FA11258	1/4-20 X 3/4 PAN HEAD CAP SCREW (NO CP OPTION)	2	2

TILT ASSEMBLY COMPONENTS



TILT ASSEMBLY COMPONENTS

Common Parts

ITEM	PART#	DESCRIPTION	QTY
4	KE002590-2	GB. WRAP WELDMENT	1
6	KE602239-1	STOP ARM	1
11	FA95055-13	KEY 3/8 X 3/8 X 5	1
12	FA15019-6	SHOULDER BOLT	1
13	FA21008	1/4-20 HEX NUT, 18-8 S.S.	1
14	KE601886-2	STOP ASSEMBLY	1
15	FA15021	BOLT, HEX CAP M10 X 30	2
16	FA31500	LOCKWASHER M10	2
17	FA11526	HEX. CAP SCREW 7/16-14 X 1-1/2" S.S. 18-8	6
18	FA31011	7/16 SPLIT LOCKWASHER, PLATED	6
19	FA21506	NUT, 7/16-14 S.S. 18-8	8
23	FA31029	SPLIT LOCKWASHER 1/4	9
24	FA21024	5/16 - 18, HEX NUT, 18-8 S.S.	4
25	FA31030	SPLIT LOCKWASHER 5/16	4
26	KE600284-4	GASKET, SILICONE GRAY	1
30	KE55513-1	GEAR UNIT	1
31	WHSGLT1	HARNESS FOR SGL T1	1
46	KE51084-2	WASHER	1
100	FA30505-1	FLAT WASHER 1/4	9

Gearbox cover Assembly Option

ITEM	PART#	DESCRIPTION	QTY
3	SK00387-15	MANUAL TILT *F OPTION; 110-120 VOLT	1
	SK00387-16	MANUAL TILT *C OPTION; 110-120 VOLT	1
	SK00387-17	POWER TILT *F OPTION; 110-120 VOLT	1
	SK00387-18	POWER TILT *C OPTION; 110-120 VOLT	1
	SK00387-27	MANUAL TILT *F OPTION; 220-240 VOLT	1
	SK00387-28	MANUAL TILT *C OPTION; 220-240 VOLT	1
	SK00387-29	POWER TILT *F OPTION; 220-240 VOLT	1
	SK00387-30	POWER TILT *C OPTION; 220-240 VOLT	1

Manual Tilt Option

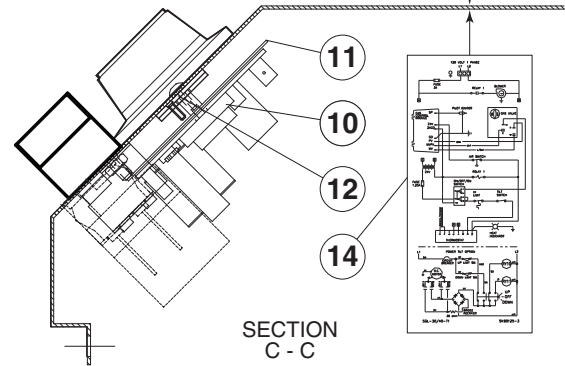
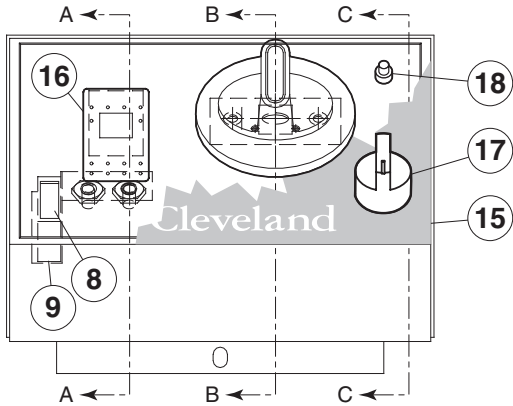
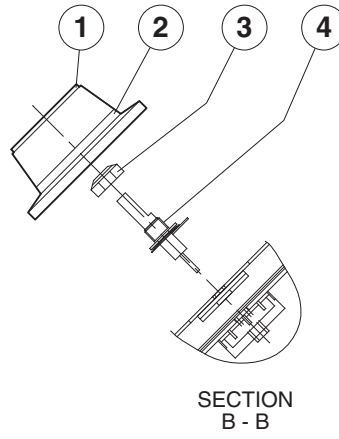
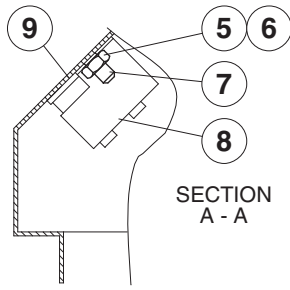
ITEM	PART#	DESCRIPTION	QTY
17	FA11526	HEX CAP SCREW 7/16-14 X 1-1/2 S.S. 18-8	3
18	FA31011	7/16 SPLIT LOCKWASHER, PLATED	3
19	FA21506	NUT, 7/16-14 S.S. 18-8	3
32	FA602714	BOLT, HI-STRENGTH PLATED, 5/8-11 X 4-1/2	1
33	FA15012	HEX NUT, PLATED, 5/8-11	1
34	KE00508-2	HANDWHEEL ASSEMBLY	1
35	KE54738-5	WASHER, FLAT	1
37	KE602511	BOTTOM COVER	1
38	KE602710	STOP PLATE	1
110-120 V OPTION			
3	SK00387-15	MANUAL TILT *F OPTION; 110-120 VOLT	1
	SK00387-16	MANUAL TILT *C OPTION; 110-120 VOLT	1
7	KE003653-1	COMPONENT PLATE ASSEMBLY	1
220-240 V OPTION			
3	SK00387-27	MANUAL TILT *F OPTION; 220-240 VOLT	1
	SK00387-28	MANUAL TILT *C OPTION; 220-240 VOLT	1
7	KE003653-3	COMPONENT PLATE ASSEMBLY	1

Power Tilt Option

ITEM	PART#	DESCRIPTION	QTY
15	FA15021	BOLT, HEX CAP M10 X 30	1
16	FA31500	LOCKWASHER M10	1
23	FA31029	SPLIT LOCKWASHER 1/4	8
29	WHST1-PTA	POWER TILT HARNESS FOR T1	1
35	KE54907-16	PLUG BUTTON	1
39	KE601725	SUPPORT	1
40	KE52832-5	MOTOR, POWER TILT	1
41	KE50582-5	COUPLING HUB, 1/2 BORE	1
42	KE50583-1	COUPLING SPIDER	1
43	KE50582-4	COUPLING HUB, 3/4 BORE	1
44	KE601886-1	STOP	1
45	FA11384	HEX. CAP SCREW 3/8-16 X 1"	2
48	KE602542	EXTENSION FOR SHAFT	1
49	KE602543	SOCKET SET SCREW, CONE POINT	1
50	KE602507	BOTTOM COVER	1
51	FA21026	3/8 HEXAGON NUT	2
52	FA31031	3/8 SPLIT LOCK WASHER S.S.	2
100	FA30505-1	FLAT WASHER 1/4	2
116	FA11145	10-32 X 3/8 PAN HEAD MACHINE SCREW	2
120	FA11258	1/4-20 X 3/4 HEX HEAD CAP SCREW	2
124	KE603730	MOTOR GUARD	1
110-120 V OPTION			
3	SK00387-17	POWER TILT *F OPTION; 110-120 VOLT	1
	SK00387-18	POWER TILT *C OPTION; 110-120 VOLT	1
7	KE003653-2	COMPONENT PLATE ASSEMBLY	1
220-240 V OPTION			
3	SK00387-29	POWER TILT *F OPTION; 220-240 VOLT	1
	SK00387-30	POWER TILT *C OPTION; 220-240 VOLT	1
7	KE003653-4	COMPONENT PLATE ASSEMBLY	1

CONTROL BOX ASSEMBLY

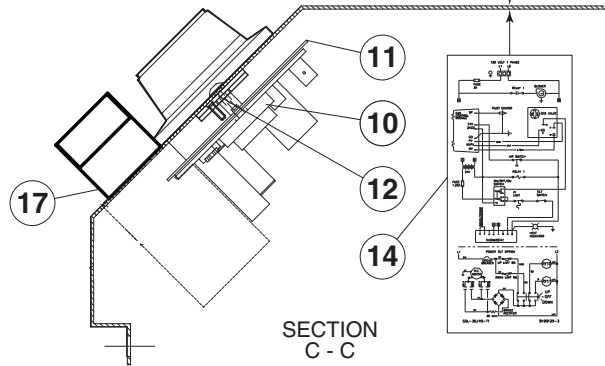
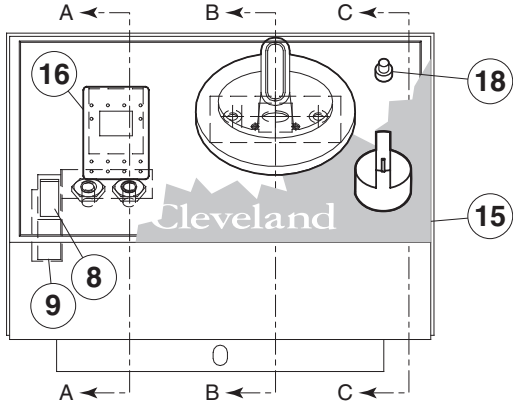
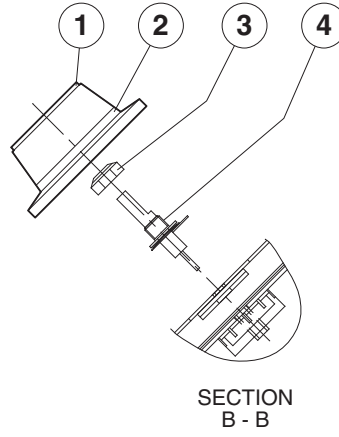
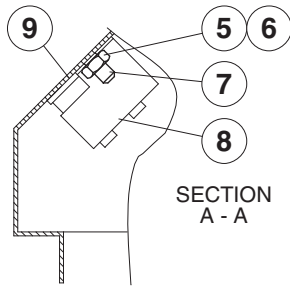
(for units built prior to December 2008)



ITEM NO.	PART NO.	DESCRIPTION	QTY.
1.	SK2138700	KNOB ASSEMBLY	1
2.	SK2360700	DIAL INSERT °F	1
	SK2360701	DIAL INSERT °C	1
3.	KE51005	RUBBER BOOT, #N9030 X 1/4	1
4.	SK2498399	POTENTIOMETER SHAFT ASSEMBLY	1
INCLUDES	SK2166800	POTENTIOMETER SHAFT	1
	SK2167000	TENSION PIN	1
	SK2167100	WASHER, BOWED/SPRING	1
	SK2167200	RETAINING RING, SP-NR #R1000-25	1
	SK2167300	PANEL BEARING	1
	SK2382800	RETAINING RING CLIP	1
5.	FA21006	NUT, S.S. F#10-24	2
6.	FA32022	TOOTH LOCK WASHER #10 S.S.	2
7.	FA40000-6	#10-24 X 3/8 S.S. WELD STUD	2
8.	SK50903-1	BRACKET, INDICATOR LIGHT	1
9.	SK50905-1	HEAT INDICATOR, 28V	1
10.	SK2142002	THERMOSTAT	1
11.	SK2159300	THERMOSTAT INSULATOR	1
12.	SK2491500	STOP PLATE ASSEMBLY	1
13.	SK95063	CAUTION LABEL	1
14.	SK90125-3	WIRING DIAGRAM	1
15.	KE95604-5	CONTROLS LABEL, MANUAL TILT	1
	KE95604-6	CONTROLS LABEL, POWER TILT	1
16.	SK2474102	SWITCH, ON/OFF/ON, DUAL FIRING	1
17.	KE53137-3	TILT SWITCH, ON/OFF/ON	1
	KE53184	CONTACT SECTION HOLDER (LATCH)	1
	KE53138-1	CONTACT BLOCK	4
18.	KE50579-2	CIRCUIT BREAKER	1
	FA05002-34	"O" RING, CIRCUIT BREAKER	1
	KE50580	WATER RESISTANT BOOT	1

CONTROL BOX ASSEMBLY

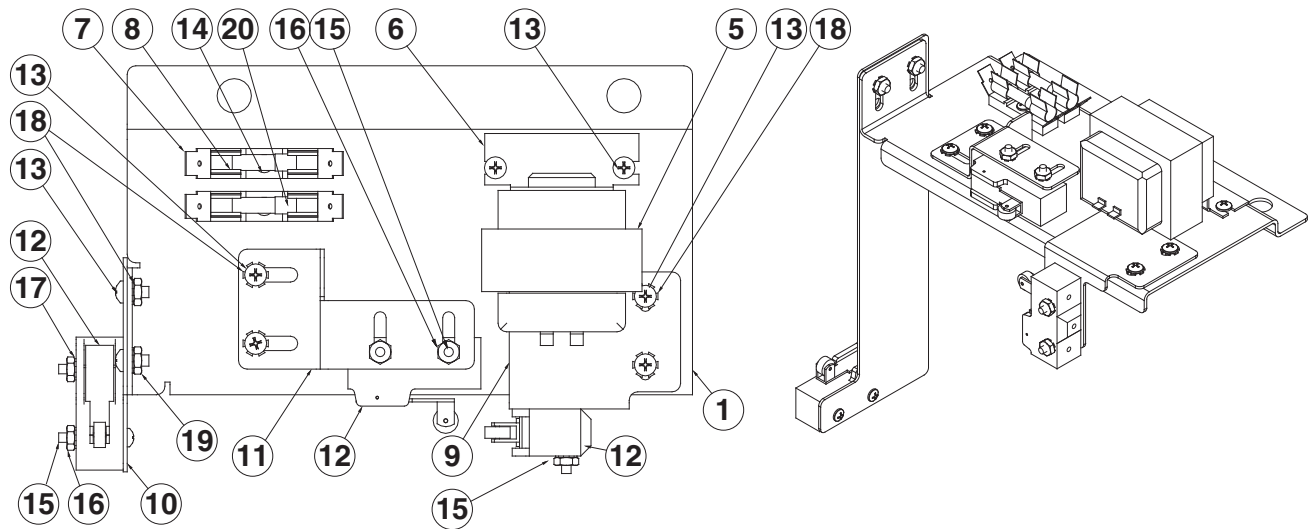
(for units built after December 2008)



ITEM NO.	PART NO.	DESCRIPTION	QTY.
1.	SK2138700	KNOB ASSEMBLY	1
2.	SK2360700	DIAL INSERT °F	1
	SK2360701	DIAL INSERT °C	1
3.	KE51005	RUBBER BOOT, #N9030 X 1/4	1
4.	SK2498399	POTENTIOMETER SHAFT ASSEMBLY	1
	SK2166800	POTENTIOMETER SHAFT	1
	SK2167000	TENSION PIN	1
	SK2167100	WASHER, BOWED/SPRING	1
	SK2167200	RETAINING RING, SP-NR #R1000-25	1
	SK2167300	PANEL BEARING	1
	SK2382800	RETAINING RING CLIP	1
5.	FA21006	NUT, S.S. F#10-24	2
6.	FA32022	TOOTH LOCK WASHER #10 S.S.	2
7.	FA40000-6	#10-24 X 3/8 S.S. WELD STUD	2
8.	SK50903-1	BRACKET, INDICATOR LIGHT	1
9.	SK50905-1	HEAT INDICATOR, 28V	1
10.	SK2142002	THERMOSTAT	1
11.	SK2159300	THERMOSTAT INSULATOR	1
12.	SK2491500	STOP PLATE ASSEMBLY	1
13.	SK95063	CAUTION LABEL	1
14.	SK90125-3	WIRING DIAGRAM	1
15.	KE95604-5	CONTROLS LABEL, MANUAL TILT	1
	KE95604-6	CONTROLS LABEL, POWER TILT	1
16.	SK2474102	SWITCH, ON/OFF/ON, DUAL FIRING	1
17.	SE003687	SWITCH ASSEMBLY REPLACEMENT KIT	1
	KE603208-4	SWITCH	1
	KE603208-7	LATCH	1
	KE603208-9	CONTACT	4
	KE603747	LABEL	2
18.	KE50579-2	CIRCUIT BREAKER	1
	FA05002-34	"O" RING, CIRCUIT BREAKER	1
	KE50580	WATER RESISTANT BOOT	1

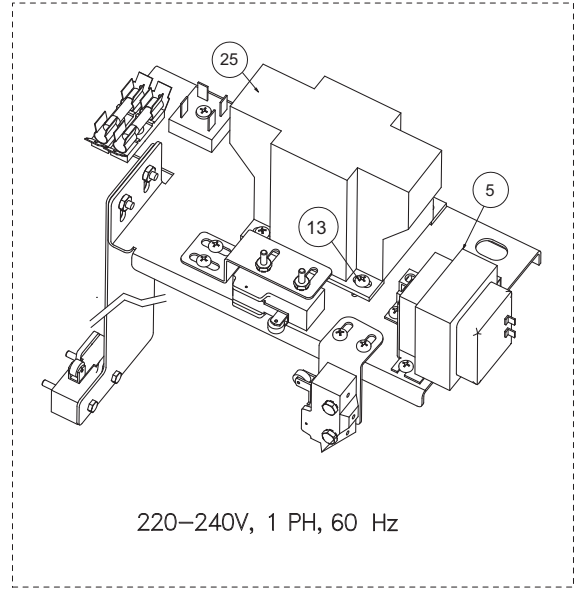
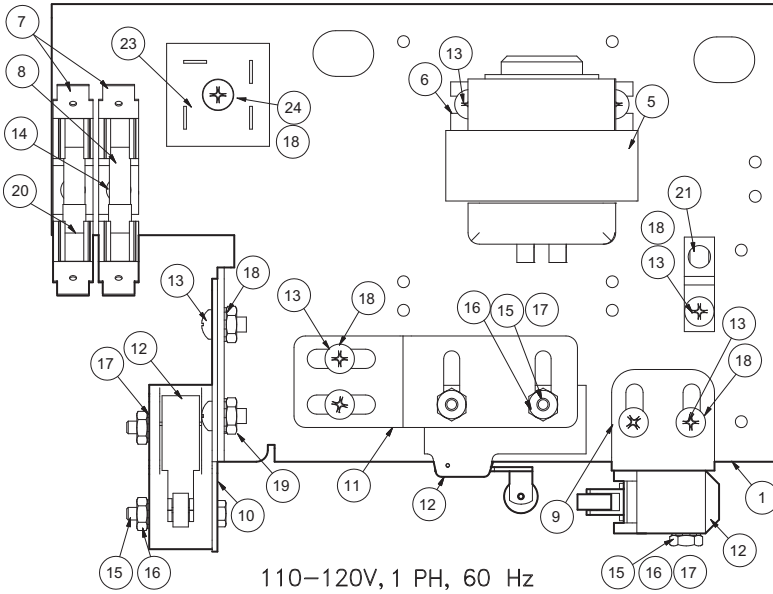
SUPPORT PLATE ASSEMBLY

(for units built between August 2006 & June 2009)



ITEM NO.	PART NO.	DESCRIPTION	QTY.
SUB-ASSEMBLIES -			
	KE002907-5	SUPPORT PLATE ASSEMBLY; MT, SGL-T1, 110-120V	
	KE002907-6	SUPPORT PLATE ASSEMBLY; PT, SGL-T1, 110-120V	
	KE002907-7	SUPPORT PLATE ASSEMBLY, MT, SGL-T1, 220-240V	
	KE002907-8	SUPPORT PLATE ASSEMBLY, PT, SGL-T1, 220-240V	
COMPONENT PARTS -			
1	KE602587	SUPPORT PLATE	1
6	KE53444	BRACKET, TRANSFORMER MOUNTING	1
7	KE51139	FUSE HOLDER	2
8	KE52936-8	FUSE 1.25 AMP, 250V.	1
11	KE602598	BRACKET, SWITCH MOUNTING	1
12	SK2474500	SWITCH, TILT LIMIT	1
13	FA11091	#8-32 X 3/8 S.S. MACHINE SCREW	10
14	FA11054	#6-32 X 3/8 S.S. MACHINE SCREW	2
15	FA11060	#6-32 X 1 S.S. MACHINE SCREW	2
16	FA21002	#6-32 HEX MACHINE SCREW NUT S.S.	2
17	FA32004	#6 EXTERNAL TOOTH LOCK WASHER ZINC PLATED	6
18	FA32005	#8 EXTERNAL TOOTH LOCK WASHER ZINC PLATED	2
110-120V, 1 PH, 60 HZ OPTION			
5	KE53838-25	TRANSFORMER	1
20	KE52936-6	FUSE 3.00 AMP, 250V.	1
220-240V, 1 PH, 50 HZ OPTION			
5	KE53838-18	TRANSFORMER	1
20	KE52936-10	FUSE 1.5 AMP, 250V.	1
POWER TILT OPTION -			
9	KE602573	BRACKET, SWITCH MOUNTING	1
10	KE602571	BRACKET, SWITCH MOUNTING	1
12	SK2474500	SWITCH, TILT LIMIT	2
13	FA11091	#8-32 X 3/8 S.S. MACHINE SCREW	4
15	FA11060	#6-32 X 1 S S MACHINE SCREW	4
16	FA21002	#6-32 HEX MACHINE SCREW NUT S S.	4
18	FA32005	#8 EXTERNAL TOOTH LOCK WASHER ZINC PLATED	4
19	FA21004	#8-32 HEX MACHINE SCREW NUT S S.	2

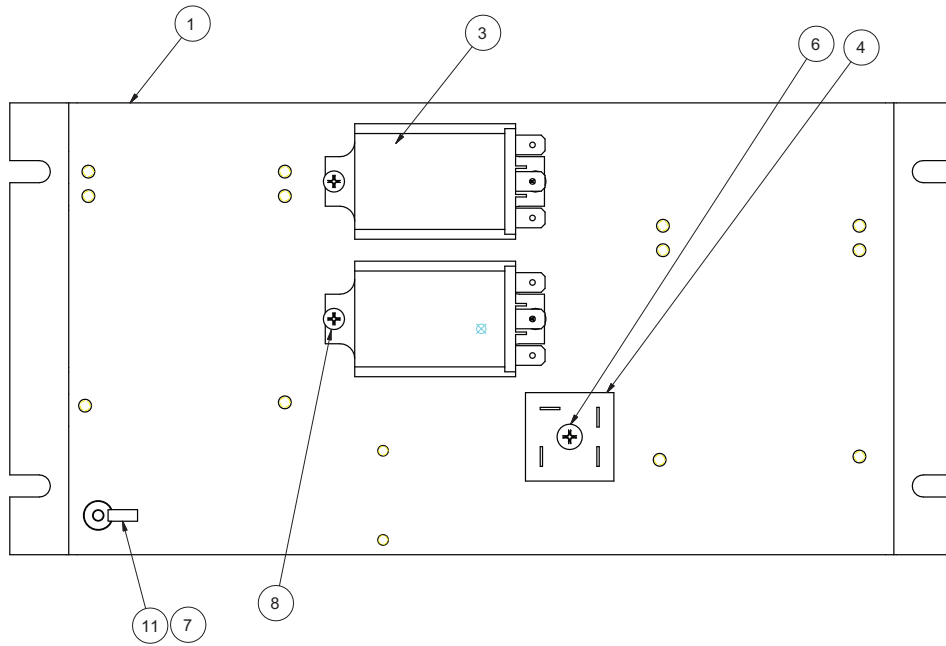
SUPPORT PLATE ASSEMBLY (for units built after June 2009)



ITEM NO.	PART NO.	DESCRIPTION	QTY.
COMMON PARTS:			
1	KE602587-1	SUPPORT PLATE	1
5	KE53838-25	TRANSFORMER	1
6	KE53444	BRACKET, TRANSFORMER MOUNTING	1
7	KE51139	FUSE HOLDER	2
8	KE52936-6	FUSE 3.00 AMP, 250V	1
11	KE602598-1	MOUNTING BRACKET; 5° TILT	1
12	SK2474500	SWITCH, TILT LIMIT	1/3
13	FA11091	#8-32 X 3/8 S.S. MACHINE SCREW	5/7/9/11
14	FA11054	#6-32 X 3/8 S.S. MACHINE SCREW	9
15	FA11060	#6-32 X 1 S.S. MACHINE SCREW	2
16	FA21002	#6-32 HEX MACHINE SCREW NUT S.S.	9
17	FA32004	#6 EXTERNAL TOOTH LOCK WASHER	4
18	FA32005	#8 EXTERNAL TOOTH LOCK WASHER	1
20	KE52936-8	FUSE 1.25 AMP, 250V	2
21	KE50473	GROUND LUG	1
110-120V, POWER TILT MODELS:			
9	KE602573-1	BRACKET, LIMIT SWITCH MOUNTING	1
10	KE602571	MOUNTING BRACKET: FULL TILT	1
19	FA21004	#8-32 HEX MACHINE SCREW NUT S.S.	2
23	KE50581	BRIDGE RECTIFIER	1
24	FA15018-8	8-32 X 1 SEMS SCREW	1
220-240V, MANUAL TILT MODELS:			
25	KE53838-10	TRANSFORMER	1
20-240V, POWER TILT MODELS:			
9	KE602573-1	BRACKET, LIMIT SWITCH MOUNTING	1
10	KE602571	MOUNTING BRACKET: FULL TILT	1
19	FA21004	#8-32 HEX MACHINE SCREW NUT S.S.	2
23	KE50581	BRIDGE RECTIFIER	1
24	FA15018-8	8-32 X 1 SEMS SCREW	1
25	KE53838-10	TRANSFORMER	1

COMPONENT PLATE ASSEMBLY, POWER TILT

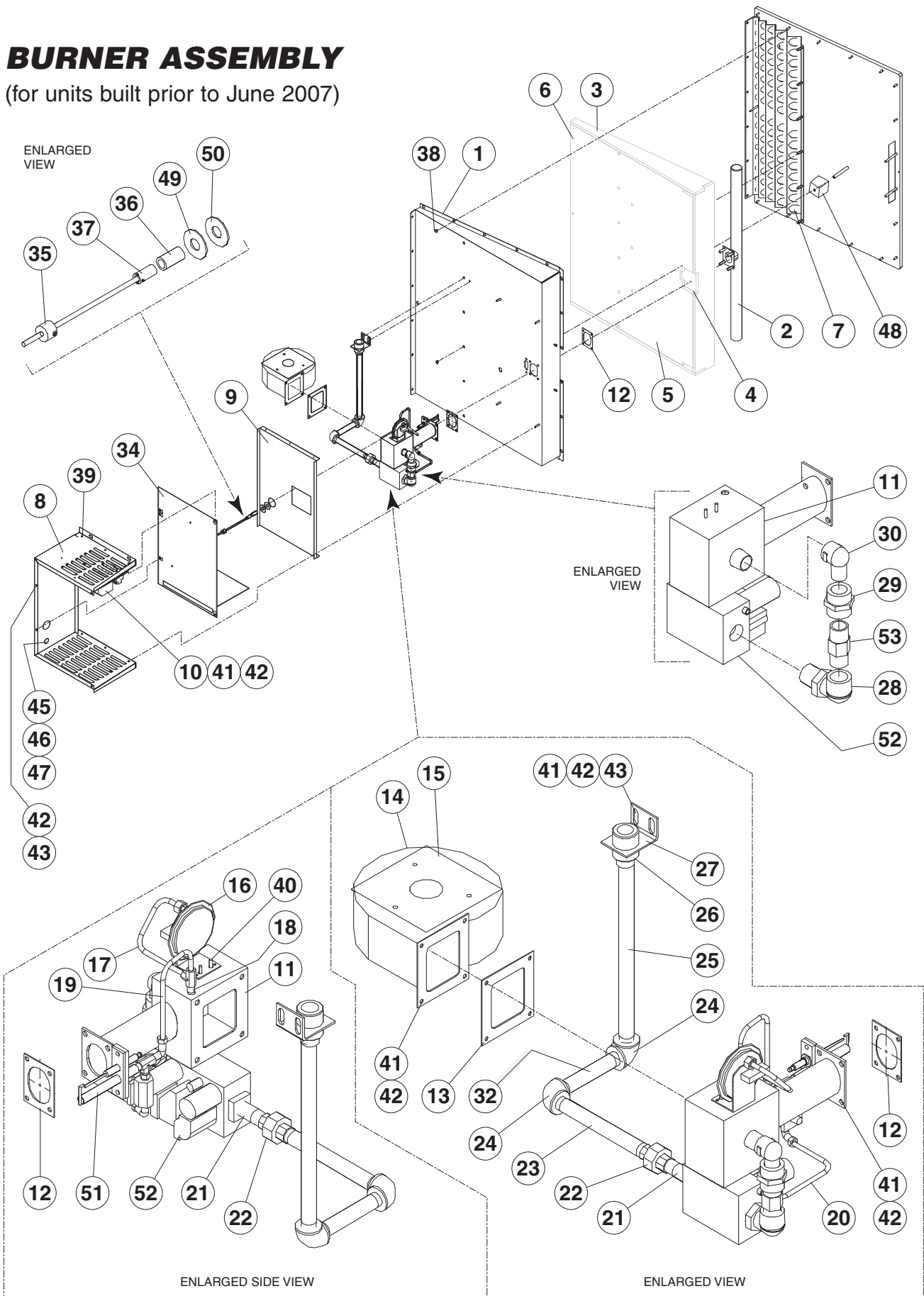
(for units built between August 2006 & June 2009)



ITEM NO.	PART NO.	DESCRIPTION	QTY.
1	KE602908	COMPONENT PLATE	1
3	KE50753-10	RELAY; DPDT/10A/120VAC	2
4	KE50581	BRIDGE RECTIFIER	1
6	FA15018-8	#8-32 X 1 SEMS MACHINE SCREW, PLATED	1
7	FA11091	#8-32 X 3/8 S.S. MACHINE SCREW	9
8	FA11056	#6-32 X 1/2 S.S. MACHINE SCREW	4
11	KE50473	GROUND LUG	1

BURNER ASSEMBLY

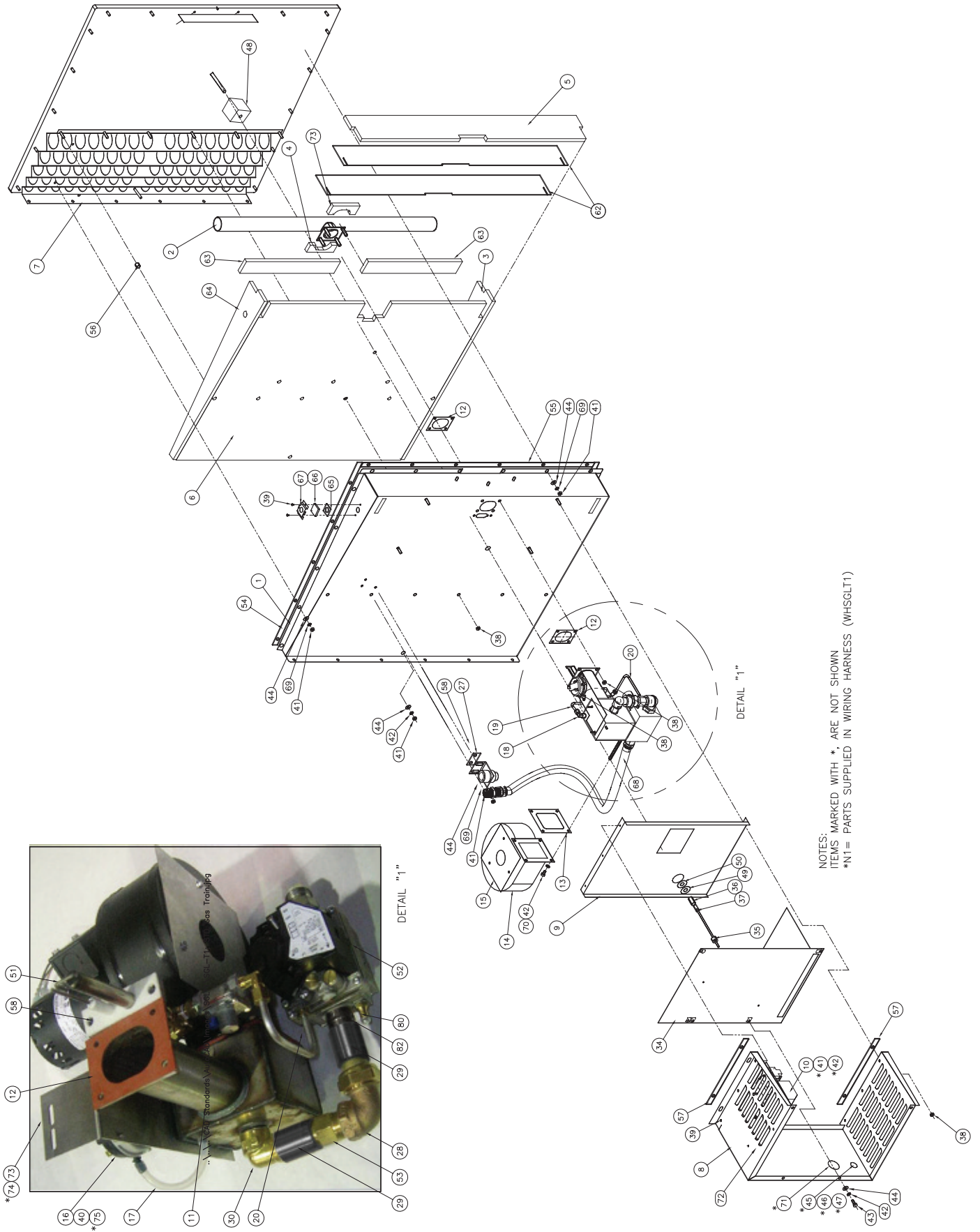
(for units built prior to June 2007)



BURNER ASSEMBLY (for units built prior to June 2007)

ITEM NO.	PART NO.	DESCRIPTION	QTY.
1.	SK00399-1	BURNER PAN ASSEMBLY (30 GALLON)	1
	SK00389-1	BURNER PAN ASSEMBLY (40 GALLON)	1
2.	SK2495500	BURNER ASSEMBLY (30 GALLON)	1
	SK2478800	BURNER ASSEMBLY (40 GALLON)	1
3.	SK2460300	INSULATION, SIDE	2
4.	SK2460700	INSULATION, BURNER/IGNITOR	1
5.	SK2460500	INSULATION FRONT (30 GALLON)	1
	SK2460400	INSULATION FRONT (40 GALLON)	1
6.	SK50939-1	INSULATION BOTTOM (30 GALLON)	1
	SK50919-1	INSULATION BOTTOM (40 GALLON)	1
7.	SK2494999	BAFFLE ASSEMBLY (30 GALLON)	1
	SK2471099	BAFFLE ASSEMBLY (40 GALLON)	1
8.	SK00396-1	BOX ASSEMBLY	1
9.	SK2471200	HEAT SHIELD (30 GALLON)	1
	SK50927-1	HEAT SHIELD (40 GALLON)	1
10.*	SK00397-1	GAS IGNITION CONTROL ASSEMBLY	1
	* SEE "GAS IGNITION CONTROL SYSTEM" DRAWING FOR MORE DETAIL		
11.	SK2463299	AIR MIX CHAMBER ASSEMBLY	1
12.	SK2460000	GASKET, BURNER MOUNTING	2
13.	SK2460200	GASKET, FAN MOUNTING	1
14.	SK2476000	BLOWER FAN	1
15.	SK2480101	AIR ORIFICE: BLOWER (30 GALLON)	1
	SK2480100	AIR ORIFICE: BLOWER (40 GALLON)	1
16.	SK2488100	AIR SWITCH	1
17.	SK2491100	1/4 TUBE AIR PROVE	1
18.	SK2473000	COMPRESSION TEE	1
19.	SK2491200	1/4 TUBE AIR MIX - IGNITOR	1
20.	SK2491300	1/4 TUBE GAS VALVE ELBOW COMPT.	1
21.	FI05226-1	NIPPLE	1
22.	FI00073-1	UNION	1
23.	FI05226-7	NIPPLE	1
24.	FI00040-1	ELBOW	2
25.	SK01477-11	NIPPLE (30 GALLON)	1
	SK01477-12	NIPPLE (40 GALLON)	1
26.	FI05231	REDUCER	1
27.	SK2459299	COUPLING ASSEMBLY	1
28.	SK076015-2	ELBOW, 3/4 UNION	1
29.	SK076029-70	UNION	1
30.	SK2489700	STREET ELBOW	1
32.	FI05226-8	NIPPLE	1
34.	SK2462899	COVER ASSEMBLY, GAS COMPT. BOX	1
35.	SK50933-1	SENSOR	1
36.	SK2490600	FULL COUPLING, S.S.	1
37.	SK2487800	BAYONET, ADAPTER	1
38.	F95	PAL NUT	15-19
39.	F10	SCREW, PAN QUARD, 8-32X3/8	6
40.	F900	K-LOCK NUT, 10-24	3
41.	FA21008	HEX NUT, 1/4 -20 S.S.	23-25
42.	FA31029	SPLIT LOCKWASHER, 1/4-S.S.	23-25
43.	FA11258	HEX SCREW, 1/4-20 X 3/4	8-10
44.	FA30505-1	WASHER, 1/4	13-15
45.	SK50399	CONNECTOR, 1/2 LIQUIDTIGHT	1
46.	KE54617-1	CONNECTOR, 45 DEG. 1/2 TIGHT	1
47.	KE51916-2	1/2 LIQUIDTIGHT	1
48.	SK50941-1	PROBE INSULATION (30 GALLON)	1
	SK50941-2	PROBE INSULATION (40 GALLON)	1
49.	FA30505-3	WASHER	1
50.	SK2460900	GASKET	1
51.*	SK00398-1	PILOT ASSEMBLY, NATURAL GAS	1
	SK00398-2	PILOT ASSEMBLY, LP	1
	* SEE "PILOT ASSEMBLY" DRAWING FOR MORE DETAIL		
52.	KE003671-1	GAS VALVE KIT, NATURAL GAS	1
	KE003671-2	GAS VALVE KIT, LP	1
53.	SK2499600	ORIFICE, NATURAL GAS (30 GALLON)	1
	SK2473100	ORIFICE, NATURAL GAS (40 GALLON)	1
	SK2499700	ORIFICE, LP. (30 GALLON)	1
	SK2473200	ORIFICE, LP. (40 GALLON)	1

BURNER ASSEMBLY (for units built after after June 2007)



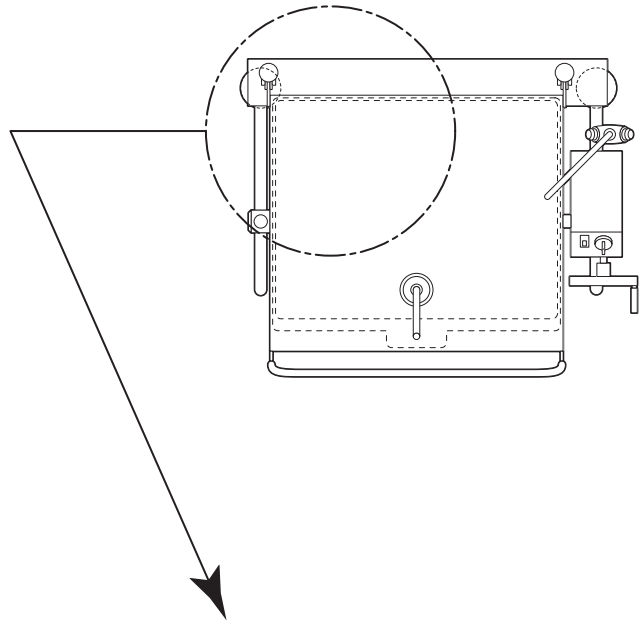
NOTES:
 ITEMS MARKED WITH * ARE NOT SHOWN
 *N1= PARTS SUPPLIED IN WIRING HARNESS (WHISGLT1)

BURNER ASSEMBLY (for units built after after June 2007)

ITEM	PART#	DESCRIPTION	QTY	QTY	QTY	QTY	QTY
-	SK00388-4	BURNER UNIT ASSEMBLY, 40 GAL. LP.					▼
-	SK00388-3	BURNER UNIT ASSEMBLY, 30 GAL LP.					▼
-	SK00388-2	BURNER UNIT ASSEMBLY, 40 GAL. NAT. GAS					▼
-	SK00388-1	BURNER UNIT ASSEMBLY, 30 GAL NAT GAS					▼
43	FA11258	HEX. SCREW, 1/4-20 X 3/4	4	4	4	4	4
44	FA30505-1	WASHER, 1/4	21	23	21	23	23
45	SK50399	CONNECTOR 1/2 LIQUIDTIGHT	*N1	*N1	*N1	*N1	*N1
46	KE54617-1	CONNECTOR, 45 DEG. 1/2 TIGHT	*N1	*N1	*N1	*N1	*N1
47	KE51916-2	1/2 LIQUIDTIGHT	*N1	*N1	*N1	*N1	*N1
48	SK50941-1	PROBE INSULATION	1	-	1	-	-
.	SK50941-2	PROBE INSULATION	-	1	-	1	-
49	FA30505-3	WASHER	1	1	1	1	1
50	SK2460900	GASKET	1	1	1	1	1
51	SK00398-1	PILOT ASSEMBLY, NATURAL GAS	1	1	-	-	-
.	SK00398-2	PILOT ASSEMBLY, LP.	-	-	-	-	-
52	SK24882-1	STANDARD GAS VALVE FOR NATURAL GAS	1	1	-	-	-
.	SK24882-2	STANDARD GAS VALVE FOR LP	-	-	-	-	-
53	REF.KE55278	GAS ORIFICE.REF. TO DWG. FOR SELECTION	1	1	1	1	1
54	SK2472402	GASKET, PAN TO BURNER PAN (SIDE)	2	2	4	4	4
55	SK2472400	GASKET, PAN TO BURNER PAN (FRONT)	1	-	2	-	-
.	SK2472401	GASKET, PAN TO BURNER PAN (FRONT)	-	1	-	2	-
56	SK2463800	SPACER	4	6	4	6	6
57	SK2461000	GASKET, COMPONENT MOUNTING	2	2	2	2	2
58	SK2498500	GASKET, GAS LINE MOUNT	1	1	1	1	1
62	SK600116-1	INSULATION BURNER, FRONT THIN	2	-	2	-	-
.	SK600116-2	INSULATION BURNER, FRONT THIN	-	2	-	2	-
63	SK600117-1	INSULATION UNDER BURNER	2	-	2	-	-
.	SK600117-2	INSULATION UNDER BURNER	-	2	-	2	-
64	KE600641-2	INSULATION, SIDE	1	1	1	1	1
65	KE53618	SIGHT GLASS GASKET	1	1	1	1	1
66	KE53617	SIGHT GLASS	1	1	1	1	1
67	KE53619	SIGHT GLASS RETAINER	1	1	1	1	1
88	KE603155	FLEXIBLE S.S. GAS HOSE	1	1	1	1	1
69	FA32008	TOOTH LOCK WASHER	14	16	14	16	16
70	FA11256	BOLT 1/4"-20, 1/2"	4	4	4	4	4
71	KE50555-7	GROMMET RUBBER	1	1	1	1	1
72	FA20504-3	10-24 LOCK NUT, ZINK COATED	1	1	1	1	1
73	KE602274	BRACKET, AIR SWITCH MOUNTING	1	1	1	1	1
74	SK2460701	INSULATION, BURNER/IGNITOR	1	1	1	1	1
75	FA11092	PAN HEAD PHILLIPS S.S. SCREW #8-32 X 1/2	2	2	2	2	2
80	G02251-1	GAS SPiGOT	1	1	1	1	1
82	N064001-5	NIPPLE 3/4 X 1 1/2 LG, BLACK PIPE	1	1	1	1	1

ITEM	PART#	DESCRIPTION	QTY	QTY	QTY	QTY	QTY
-	SK00388-4	BURNER UNIT ASSEMBLY, 40 GAL. LP.					▼
-	SK00388-3	BURNER UNIT ASSEMBLY, 30 GAL LP.					▼
-	SK00388-2	BURNER UNIT ASSEMBLY, 40 GAL. NAT. GAS					▼
-	SK00388-1	BURNER UNIT ASSEMBLY, 30 GAL NAT GAS					▼
1	SK00399-1	BURNER PAN ASSEMBLY	1	-	1	-	-
.	SK00399-1	BURNER PAN ASSEMBLY	-	1	-	1	-
2	SK2478801	BURNER ASSEMBLY	1	-	1	-	-
.	SK2478800	BURNER ASSEMBLY	-	1	-	1	-
3	KE600641-1	INSULATION, SIDE	1	1	1	1	1
4	SK2460700	INSULATION, BURNER/IGNITOR	1	1	1	1	1
5	SK2460500	INSULATION FRONT	1	-	1	-	-
.	SK2460400	INSULATION FRONT	-	1	-	1	-
6	SK50939-1	INSULATION BOTTOM	1	-	1	-	-
.	SK50919-1	INSULATION BOTTOM	-	1	-	1	-
7	SK2494999	BAFFLE ASSEMBLY	1	-	1	-	-
.	SK2471099	BAFFLE ASSEMBLY	-	1	-	1	-
8	SK00396-1	BOX ASSEMBLY	1	1	1	1	1
9	SK50927-1	HEAT SHIELD	1	1	1	1	1
10	SK00397-1	GAS IGNITION CONTROL ASSY (STANDARD SKILLETS).	1	1	1	1	1
11	KE02411	AIR MIX CHAMBER ASSEMBLY	1	1	1	1	1
12	SK2460000	GASKET: BURNER MOUNTING	2	2	2	2	2
13	SK2460200	GASKET; FAN MOUNTING	1	1	1	1	1
14	SK2476000	BLOWER FAN (STANDARD SKILLETS)	1	1	1	1	1
15	SK2480102	AIR ORIFICE: BLOWER	1	-	1	-	-
.	SK2480100	AIR ORIFICE: BLOWER	-	1	-	1	-
16	KE55453-1	AIR PRESSURE SWITCH	1	1	1	1	1
17	KE55501	TUBE, AIR SWITCH FLEXIBLE	1	1	1	1	1
18	FI05198-1	ELBOW; COMPRESSION 1/4 TUBEX1/8 MPT	1	1	1	1	1
19	SK2491200	1/4 TUBE AIR MIX - IGNITOR	1	1	1	1	1
20	SK24913-2	1/4 TUBING COMP; T1 GAS VALVE	1	1	1	1	1
27	SK2459299	COUPLING ASSEMBLY	1	1	1	1	1
28	SK076015-2	ELBOW: 3/4 UNION	1	1	1	1	1
29	SK076010-4	PIPE COUPLING - WS TYPE; 3/4	2	2	2	2	2
30	SK2489700	STREET ELBOW	1	1	1	1	1
34	SK2462899	COVER ASSEMBLY,GAS COMP.BOX	1	1	1	1	1
35	SK50933-1	OPERATING THERMOSTAT	1	1	1	1	1
36	SK2490600	COUPLING, 1/8 NPT SS	1	1	1	1	1
37	SK2487800	BAYONET, ADAPTOR	1	1	1	1	1
38	FA20502	FLANGED NUT	14	16	14	16	16
39	F10	THREAD-CUTTING SCREW, 8-32 X3/8"	8	8	8	8	8
40	F900	K-LOCK NUT, 10-24	3	3	3	3	3
41	FA21008	HEX. NUT, 1/4 -20 S.S.	23	25	23	25	25
42	FA31029	SPLIT LOCKWASHER, 1/4-S.S.	11	11	11	11	11

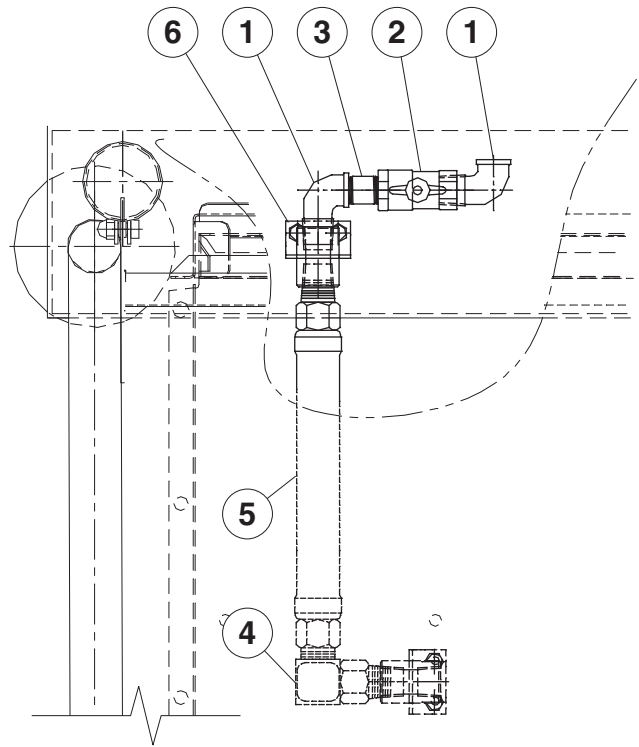
GAS TRAIN, TRUNNION ASSEMBLIES



ITEM NO.	PART NO.	DESCRIPTION	QTY.
----------	----------	-------------	------

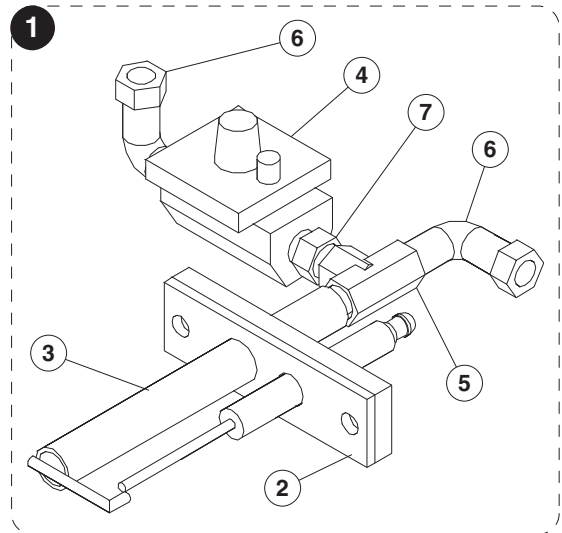
GAS TRAIN

1.	FI00134	ELBOW	2
2.	F01518-1	SHUT OFF VALVE	1
3.	FI00607	NIPPLE	1
4.	SK2472702	SWIVEL CONNECTOR	1
5.	SK2472701	GAS CONNECTOR HOSE	1
6.	SK2459299	BRACKET ASSEMBLY, GAS LINE ...	1



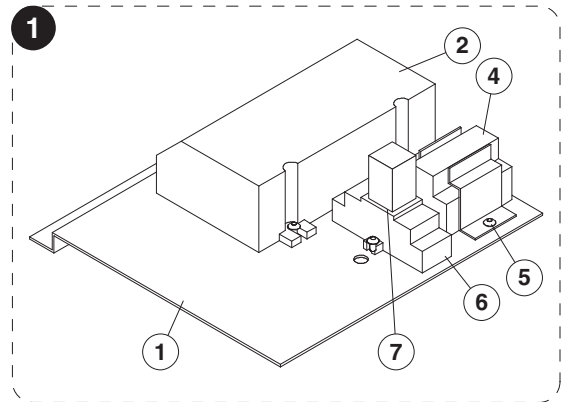
PILOT ASSEMBLY

ITEM NO.	PART NO.	DESCRIPTION	QTY.
1.	SK00398-1	PILOT ASSEMBLY, NATURAL GAS	1
	SK00398-2	PILOT ASSEMBLY, LP	1
2.	SK2460100	GASKET	1
3.	SK2477000	IGNITOR/PILOT ASSEMBLY	1
4.	SK2488300	GAS REGULATOR	1
5.	SK2489800	TEE, 1/8	1
6.	FI05198-1	ELBOW, 1/8	2
7.	SK2488400	VARIABLE ORIFICE NATURAL GAS	1
	SK2488401	VARIABLE ORIFICE PROPANE	1

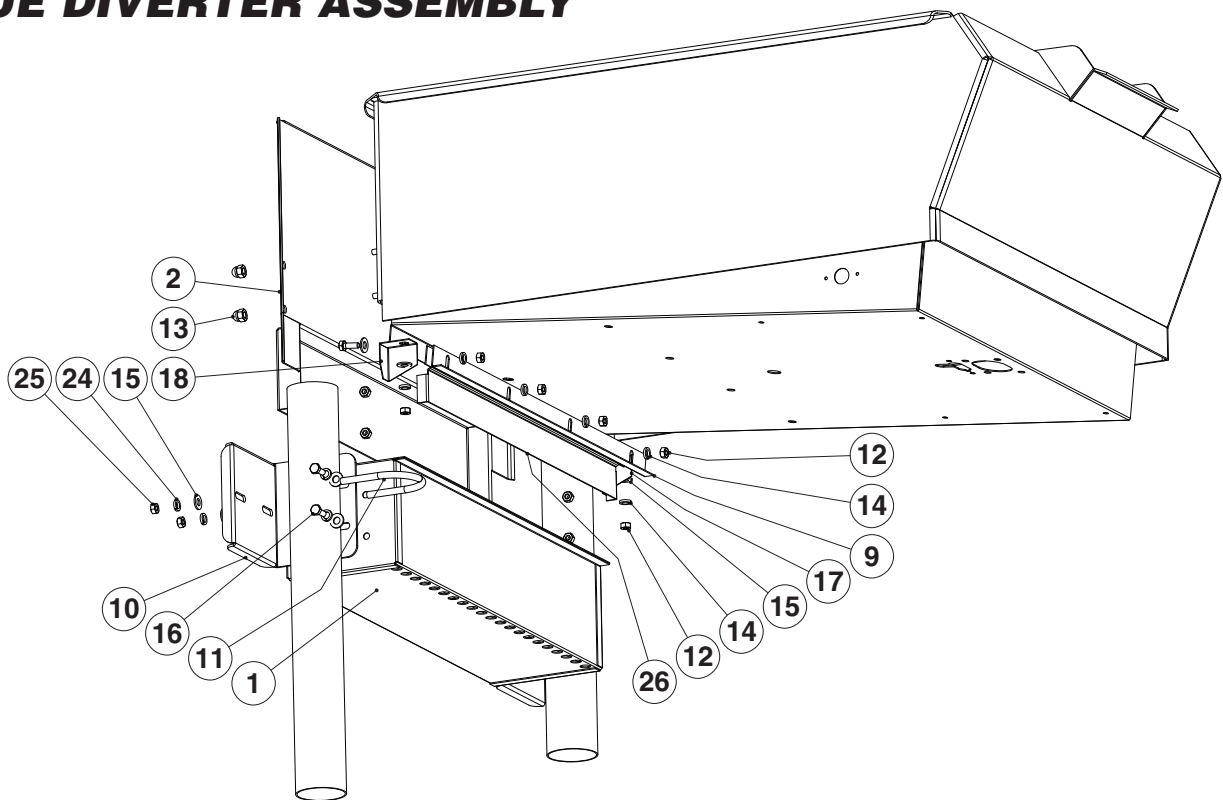


GAS IGNITION CONTROL SYSTEM

ITEM NO.	PART NO.	DESCRIPTION	QTY.
1.	SK00397-1	GAS IGNITION CONTROL ASSEMBLY	1
1.	SK50931-1	MOUNTING PLATE	1
2.	SK2475300	GAS CONTROL MODULE	1
4.	KE55069-7	HIGH LIMIT (INCLUDES MOUNTING BRACKET SK50931)	1
5.	FA12	SCREW, 10-24 X 3/8	8
6.	SK2475600	HOLDER	1
7.	SK2475500	RELAY	1
	SK2475700	SPRING	1



FLUE DIVERTER ASSEMBLY



ITEM NO.	PART NO.	DESCRIPTION	QTY
1.	KE002440-1	CHANNEL WLD'T ASS'Y; 30	.1
	KE002440-2	CHANNEL WLD'T ASS'Y; 40	.1
2.	KE602434-1	FLUE FRONT; 30	.1
	KE602434-2	FLUE FRONT; 40	.1
9.	KE602438-1	ANGLE; 30	.1
	KE602438-1	ANGLE; 30	.1
10.	KE602444	BRACKET; FRAME CLAMP	.2
11.	FA95092-3	U; 3" FRAME CLAMP	.2
12.	FA21008	HEX NUT; S.S.; 1/4-20	.6/8
13.	FA21501-2	HEX HEAD DOMED NUT; S.S.; 1/4-20	.4
14.	FA31029	SPRING LOCK WASHER; 1/4 I.D.	10/12
15.	FA30505-1	FLAT WASHER; S.S.; 1/4 I.D.	14/16
16.	FA11258	HEX HEAD SCREW; S.S.; 1/4-20 X3/4	.8/10
17.	KE602373-1	FILLER PIECE; R.H.	.1
18.	KE602373-2	FILLER PIECE; L.H.	.1
19.	SK2330100	SILICONE (NOT SHOWN)	.1
22.	SK2472405	GASKET, PAN TO FLUE (NOT SHOWN); 30	.1
	SK2472406	GASKET, PAN TO FLUE (NOT SHOWN); 40	.1
23.	KE602382	INSULATION (NOT SHOWN)	.1
24.	FA31030	SPRING LOCK WASHER, 5/16" I.D.	.4
25.	FA21024	HEX NUT, S.S. 5/16"-18	.4
26.	KE602568-1	FLUE BACK; 30	.1
	KE602568-2	FLUE BACK; 40	.1
27.	KE802607	INSTALLATION INSTRUCTIONS FOR SERVICE (NOT SHOWN)	.1

SPARE PARTS LIST

PART NO.	DESCRIPTION	QTY.
SK2474500	SWTCH, TILT LIMIT	1
KE53838-25	TRANSFORMER	1
KE52936-8	FUSE, 1.25 AMP	1
KE52936-6	FUSE, 3 AMP	1
SK00397-1	GAS IGNITION CONTROL ASSEMBLY	1
SK50933-1	TEMPERATURE SENSOR (RTD)	1
SK2488200	GAS VALVE, NATURAL GAS	1
SK2488201	GAS VALVE, LP	1
FA15019-6	SHOULDER BOLT	1
FA21024	5-16 HEX NUT, 18-8 S.S.	1
SK2498399	POTENTIOMETER SHAFT ASSEMBLY	1
	<i>INCLUDES:</i>	
SK2166800	POTENTIOMETER SHAFT	1
SK2167000	TENSION PIN	1
SK2167100	WASHER, BOWED/SPRING	1
SK2167200	RETAINING RING, SP-NR #R1000-25	1
SK2167300	PANEL BEARING	1
SK2382800	RETAINING RING CLIP	1
SK50905-1	INDICATOR LIGHT CLEAR, 28V	1
SK2142002	THERMOSTAT	1
SK2477000	IGNITOR/PILOT ASSEMBLY	1
SK2488300	GAS REGULATOR	1
SK2475300	GAS CONTROL MODULE	1
KE55069-7	SAFETY THERMOSTAT	1
SK2475500	RELAY	1
SK2474102	SWITCH, ON/OFF/ON, DUAL FIRING	1
	POWER TILT ONLY	
KE53137-3	TILT SWITCH, ON/OFF/ON	1
KE53184	CONTACT SECTION HOLDER (LATCH)	1
KE53138-1	CONTACT BLOCK	4
KE50579-2	CIRCUIT BREAKER	1
FA05002-34	"O" RING, CIRCUIT BREAKER	1
KE50580	WATER RESISTANT BOOT	1