

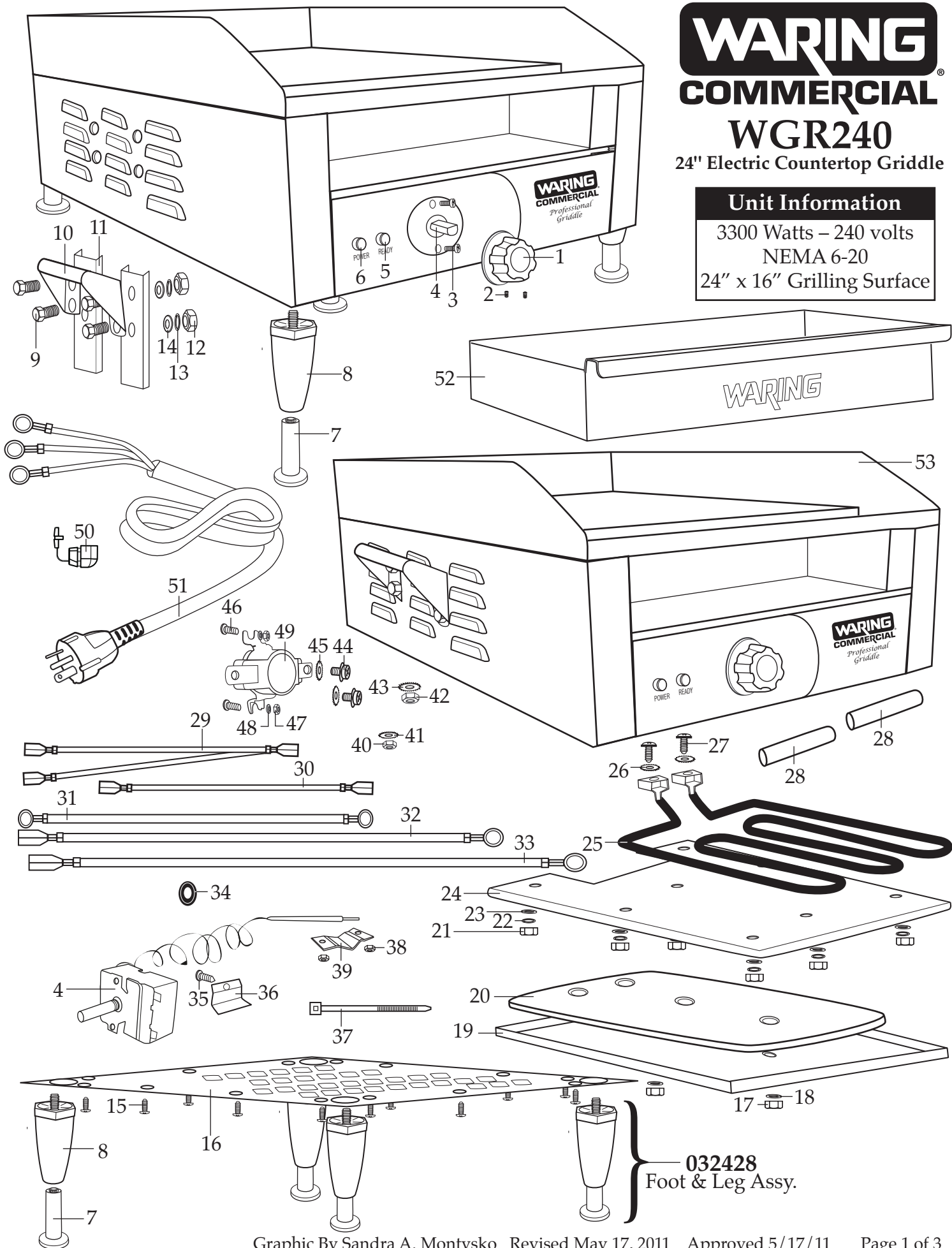
WARING COMMERCIAL

WGR240

24" Electric Countertop Griddle

Unit Information

3300 Watts – 240 volts
NEMA 6-20
24" x 16" Grilling Surface



032428
Foot & Leg Assy.

Illustration #	Part #	Description
1	028626	Control Knob
2	028627	Set Screw 2 Req.'d
3	032387	Screw/thermostat 2 Req.'d
4	030013	Thermostat
5	030515	Ready Light /green
6	029941	Power Light /red
7	032391	Foot 4 Req.'d
8	032392	Foot Leg 4 Req.'d
9	030540	Bolt 4 Req.'d per handle
10	030539	Handle 2 Req.'d
11	030541	Bracket 2 Req.'d per handle
12	030544	Nut 4 Req.'d per handle
13	030543	Spring Washer 4 Req.'d per handle
14	030542	Washer 4 Req.'d per handle
15	030006	Screw 14 Req.'d
16	032396	Bottom Plate
17	030522	Nut/insulation cover 2 Req.'d
18	029963	Washer/insulation cover 2 Req.'d
19	032401	Insulation Cover
20	032400	Insulation
21	030522	Nut/element plate 8 Req.'d
22	029963	Spring Washer/element plate 8 Req.'d
23	029964	Washer/element plate 8 Req.'d
24	032402	Element Plate
25	032403	Element
26	032388	Lock Washer/leads to element 2 Req.'d
27	029958	Screw/lead to element 2 Req.'d

Illustration #	Part #	Description
28	032393	Rubber Sleeve 2 Req.'d
29	032407	Leads / double white (thermostat to ready light) (thermostat to power light)
30	032408	Lead / white 5.5" (thermostat to ready light)
31	032410	Lead / black 10" (element to ceramic seal)
32	032409	Lead / white 21" (power light to ceramic spacer)
33	032405 032406	Lead / red 21.5" (thermostat to thermal cut-off) Lead / red 14.5" (element to thermostat)
34	032394	Housing Lead Protector
35	030006	Screw/bracket thermostat wire
36	030532	Bracket/thermostat wire
37	013731	Wire Tie 3 Req.'d
38	030537	Nut/thermostat bracket 2 Req.'d
39	032389	Bracket/thermostat
40	030534	Nut/ground
41	032388	Lock Washer/ground
42	030535	Nut/ceramic seal
43	030536	Lock Washer/ceramic seal
44	032399	Screw/leads to thermal cut-off 2 Req.'d
45	032388	Lock Washer/leads to thermal cut-off 2 Req.'d
46	032398	Screw/thermal cut-off to hsg.
47	029998	Nut/thermal cut-off to hsg. 2 Req.'d
48	029997	Washer/thermal cut-off to hsg. 2 Req.'d
49	032390	Thermal Cut-off
50	030518	Strain Relief
51	032395	Cord Set
52	032404	Tray
53	032397	Top Housing with Grill Plate and Handles